



SANYO Semiconductors

DATA SHEET

An ON Semiconductor Company

LA6681MC

Monolithic Linear IC

Single-phase Full-wave Fan Motor IC

Overview

The LA6681MC drives the single-phase bipolar fan motor, through low-saturation BTL output linear drive, silently and at high efficiency with suppressed reactive power while saving power.

This product is the most suitable for the CPU cooler fan motor operating on 5V power for notebook PC, which is required to be compactness and low noise.

Functions

- Single-phase full-wave linear drive by BTL output.
: Linear drive for further silence and the most suitable for fan motor for the notebook PC.
- Operable at low voltage and over a wide operation voltage range (2.0 to 7.0V)
- Low saturation output (Upper + lower saturation voltages: V_{OSat} (total) = 0.32V typ, I_O = 400mA)
: High coil efficiency and small current drain. Small heat generation from IC itself
- FG output (Rotation detection output: Open collector output)
- High impedance of Hall input pin
- Heat protection circuit
: The heat protection circuit suppresses the drive current to prevent burn or damage of IC when the large current flows due to output short-circuit and the IC chip temperature exceeds 180°C.
- Small package with high heat capacity

Specifications

Absolute Maximum Ratings at $T_a = 25^\circ\text{C}$

Parameter	Symbol	Conditions	Ratings	Unit
Supply voltage	V_{CC} max		8	V
Output current	I_{OUT} max		1.0	A
Output withstand voltage	V_{OUT} max		8	V
FG output withstand voltage	V_{FG} max		8	V
FG output current	I_{FG} max		5	mA
Allowable dissipation	P_d max	Mounted on a specified board. *1	750	mW
Operating temperature	T_{opr}	*2	-30 to +110	°C

Continued on next page.

■ Any and all SANYO Semiconductor Co.,Ltd. products described or contained herein are, with regard to "standard application", intended for the use as general electronics equipment. The products mentioned herein shall not be intended for use for any "special application" (medical equipment whose purpose is to sustain life, aerospace instrument, nuclear control device, burning appliances, transportation machine, traffic signal system, safety equipment etc.) that shall require extremely high level of reliability and can directly threaten human lives in case of failure or malfunction of the product or may cause harm to human bodies, nor shall they grant any guarantee thereof. If you should intend to use our products for new introduction or other application different from current conditions on the usage of automotive device, communication device, office equipment, industrial equipment etc. , please consult with us about usage condition (temperature, operation time etc.) prior to the intended use. If there is no consultation or inquiry before the intended use, our customer shall be solely responsible for the use.

■ Specifications of any and all SANYO Semiconductor Co.,Ltd. products described or contained herein stipulate the performance, characteristics, and functions of the described products in the independent state, and are not guarantees of the performance, characteristics, and functions of the described products as mounted in the customer's products or equipment. To verify symptoms and states that cannot be evaluated in an independent device, the customer should always evaluate and test devices mounted in the customer's products or equipment.

LA6681MC

Continued from preceding page.

Parameter	Symbol	Conditions	Ratings	Unit
Storage temperature	Tstg		-55 to +150	°C

*1: Mounted on a specified board: 114.3×76.1×1.6 mm³, glass epoxy board.

*2: Tjmax = 150°C max must not be exceeded.

Caution 1) Absolute maximum ratings represent the value which cannot be exceeded for any length of time.

Caution 2) Even when the device is used within the range of absolute maximum ratings, as a result of continuous usage under high temperature, high current, high voltage, or drastic temperature change, the reliability of the IC may be degraded. Please contact us for the further details.

Recommended Operating Conditions at Ta = 25°C

Parameter	Symbol	Conditions	Ratings	Unit
Supply voltage	V _{CC}		2.0 to 7.0	V
Common-phase input voltage range of Hall input	V _{ICM}		0.3 to V _{CC} -1.5	V

Electrical Characteristics at Ta = 25°C, V_{CC} = 5V, unless otherwise specified.

Parameter	Symbol	Conditions	Ratings			Unit
			min	typ	max	
Circuit current	I _{CC}	IN=1.0V, IN+=2.0V, RL=∞		14	19	mA
OUT saturation voltage L	V _{OSatL}	I _O = 400mA		0.17	0.25	V
OUT saturation voltage H	V _{OSatH}	I _O = 400mA		0.21	0.30	V
Input offset voltage	VOFST	Zero peak value		0	5	mV
Hall bias voltage	VHB	I _{HB} = 5mA	1.3	1.4	1.5	V
Hall amplifier gain	Vg		42	46	47	dB
Hall amplifier input current	VINR		-10	-2	10	μA
FG output L voltage	VFG	I _{FG} = 3mA		0.2	0.3	V
FG output leakage current	IFGL	V _{FG} = 7V			30	μA
Overheat protection circuit	Th	* Design guarantee	150	180	210	°C

Truth Table

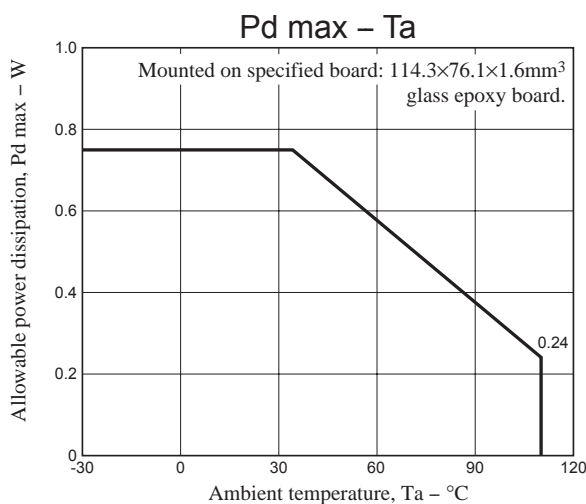
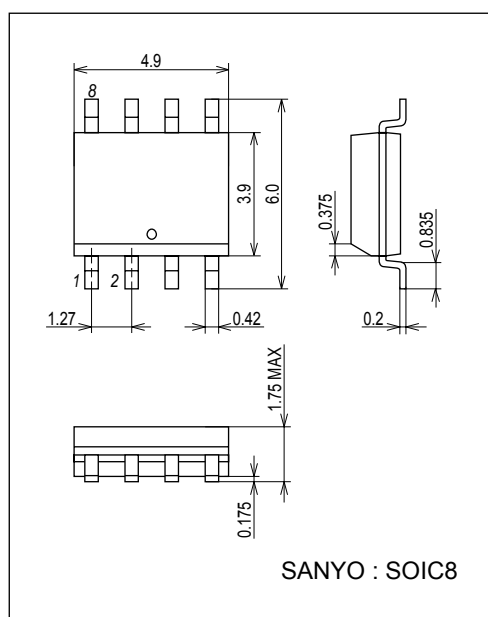
IN ⁻	IN ⁺	OUT1	OUT2	FG	Mode
H	L	H	L	L	During rotation
L	H	L	H	OFF	
-	-	OFF	OFF	-	Overheat protected

-:Don't care.

Package Dimensions

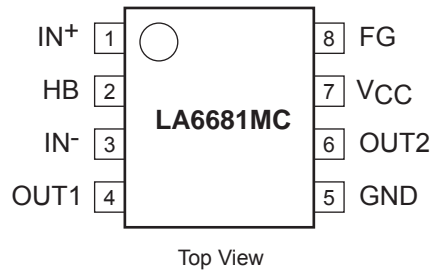
unit : mm (typ)

3424

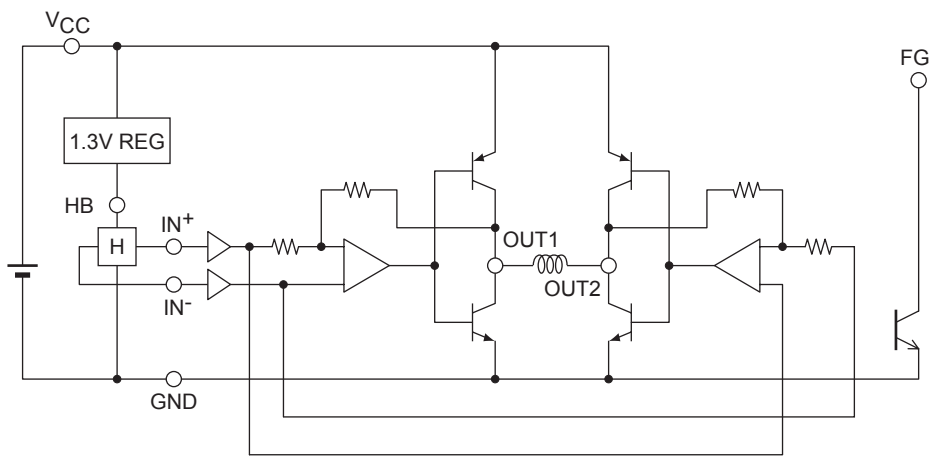


LA6681MC

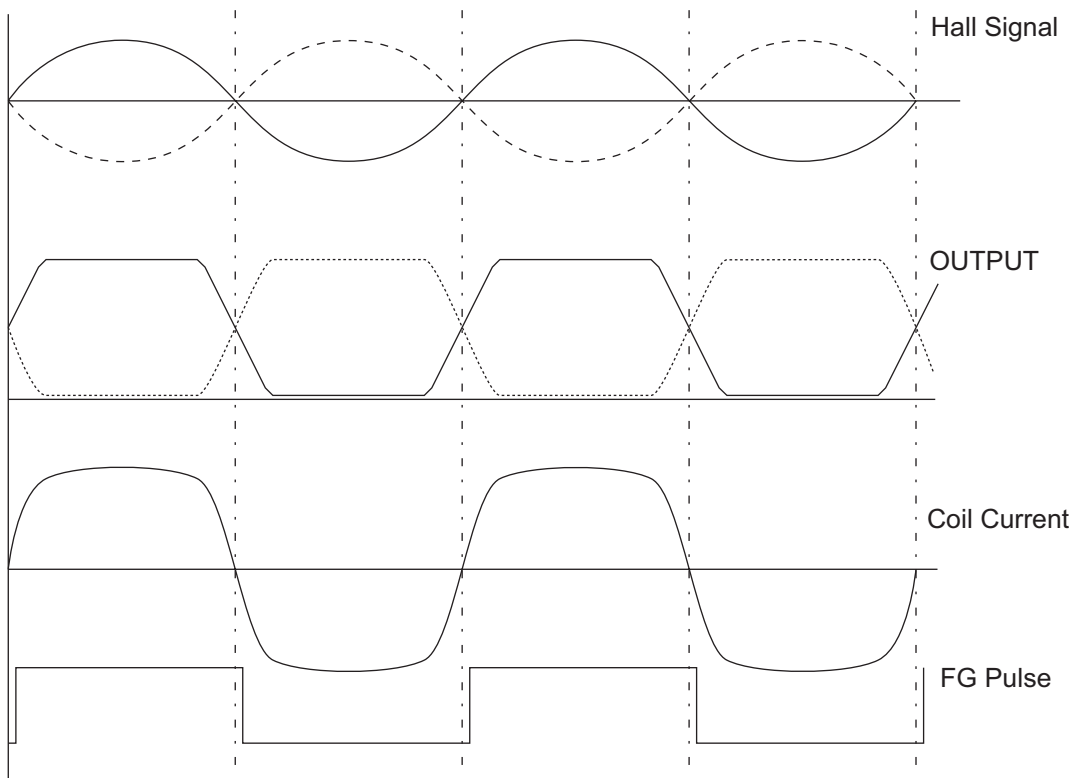
Pin Assignment



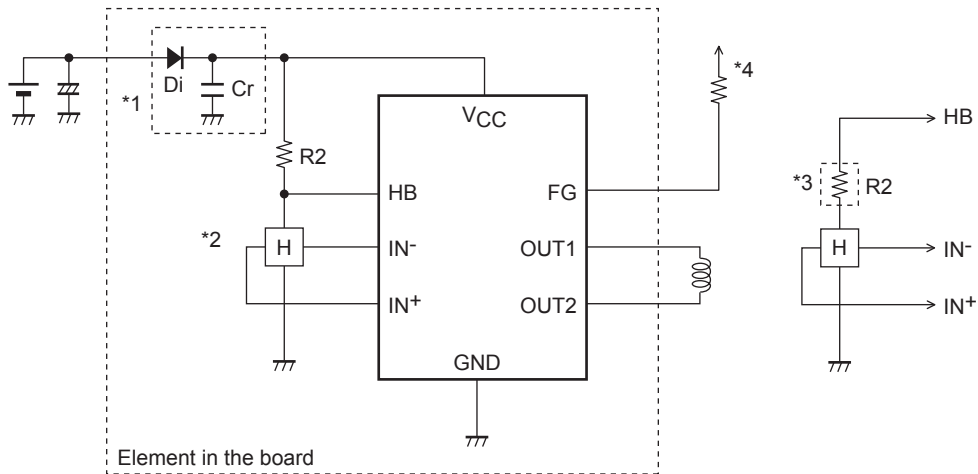
Block Diagram



Timing chart



Application Circuit Examples



- *1: When Di to prevent breakdown in case of reverse connection is used, it is necessary to insert a capacitor Cr to secure the regenerative current route. Similarly, Cr is necessary to enhance the reliability when there is no capacitor near the fan power line.
- *2: Basically, by taking the bias from HB 1.3V constant-output voltage, stable Hall and coil outputs can be obtained at high temperature. When taking the Hall bias from VCC, insert the limiting resistor R2 on the VCC side as shown in the figure, for biasing. (The use together with HB bias is recommended.)
- *3: Linear drive is made by amplifying the Hall output to perform voltage control of the coil. When the Hall element output is high, the starting performance and efficiency are improved. By adjusting (R3) the Hall element, the operation becomes more silent.
- *4: Keep this open when not using.

- SANYO Semiconductor Co.,Ltd. assumes no responsibility for equipment failures that result from using products at values that exceed, even momentarily, rated values (such as maximum ratings, operating condition ranges, or other parameters) listed in products specifications of any and all SANYO Semiconductor Co.,Ltd. products described or contained herein.
- Regarding monolithic semiconductors, if you should intend to use this IC continuously under high temperature, high current, high voltage, or drastic temperature change, even if it is used within the range of absolute maximum ratings or operating conditions, there is a possibility of decrease reliability. Please contact us for a confirmation.
- SANYO Semiconductor Co.,Ltd. strives to supply high-quality high-reliability products, however, any and all semiconductor products fail or malfunction with some probability. It is possible that these probabilistic failures or malfunction could give rise to accidents or events that could endanger human lives, trouble that could give rise to smoke or fire, or accidents that could cause damage to other property. When designing equipment, adopt safety measures so that these kinds of accidents or events cannot occur. Such measures include but are not limited to protective circuits and error prevention circuits for safe design, redundant design, and structural design.
- In the event that any or all SANYO Semiconductor Co.,Ltd. products described or contained herein are controlled under any of applicable local export control laws and regulations, such products may require the export license from the authorities concerned in accordance with the above law.
- No part of this publication may be reproduced or transmitted in any form or by any means, electronic or mechanical, including photocopying and recording, or any information storage or retrieval system, or otherwise, without the prior written consent of SANYO Semiconductor Co.,Ltd.
- Any and all information described or contained herein are subject to change without notice due to product/technology improvement, etc. When designing equipment, refer to the "Delivery Specification" for the SANYO Semiconductor Co.,Ltd. product that you intend to use.
- Upon using the technical information or products described herein, neither warranty nor license shall be granted with regard to intellectual property rights or any other rights of SANYO Semiconductor Co.,Ltd. or any third party. SANYO Semiconductor Co.,Ltd. shall not be liable for any claim or suits with regard to a third party's intellectual property rights which has resulted from the use of the technical information and products mentioned above.

This catalog provides information as of Jun, 2012. Specifications and information herein are subject to change without notice.