



LA6540M

4-output Power Operational Amplifier

Overview

The LA6540M is a 4-output power operational amplifier developed for use in consumer and industrial equipment.

Functions

- High output current (I_O max = 0.7 A : typ)
- Includes a current limiter
- Wide operating voltage range (± 2 to ± 16 V)
- Single-supply operation possible (4 to 32 V)
- Thermal shutdown built in

Specifications

Maximum Ratings at $T_a = 25^\circ\text{C}$

Parameter	Symbol	Conditions	Ratings	Unit
Maximum supply voltage	V_{CC}/V_{EE}		± 18	V
Input voltage	V_{IN}		± 17	V
Allowable power dissipation	P_d max		0.7	W
Operating temperature	T_{opr}		-20 to $+75$	$^\circ\text{C}$
Storage temperature	T_{stg}		-40 to $+150$	$^\circ\text{C}$

Operation Characteristics at $T_a = 25^\circ\text{C}$, $V_{CC} = +15\text{ V}$, $V_{EE} = -15\text{ V}$

Parameter	Symbol	Conditions	min	typ	max	Unit
No-load current drain	I_{CC}	Mute OFF		15	30	mA
Input offset voltage	V_{IO}	$R_S \leq 10\text{ k}\Omega$		2	7	mV
Input offset current	I_{IO}			10	100	nA
Input bias current	I_B			50	300	nA

Continued on next page.

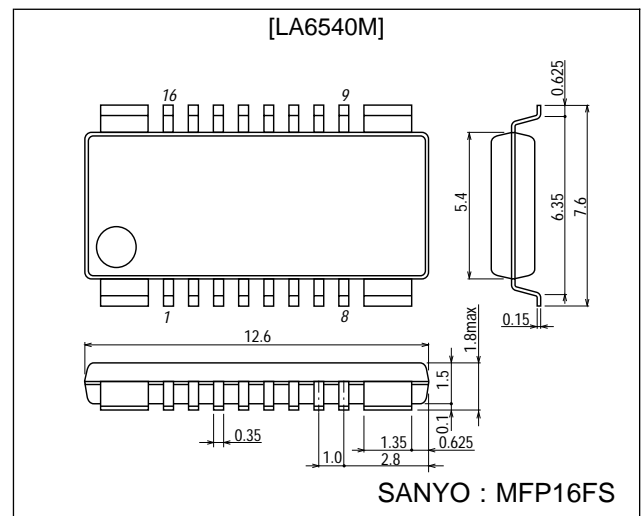
■ Any and all SANYO products described or contained herein do not have specifications that can handle applications that require extremely high levels of reliability, such as life-support systems, aircraft's control systems, or other applications whose failure can be reasonably expected to result in serious physical and/or material damage. Consult with your SANYO representative nearest you before using any SANYO products described or contained herein in such applications.

■ SANYO assumes no responsibility for equipment failures that result from using products at values that exceed, even momentarily, rated values (such as maximum ratings, operating condition ranges, or other parameters) listed in products specifications of any and all SANYO products described or contained herein.

Package Dimensions

unit : mm

3097-MFP16FS

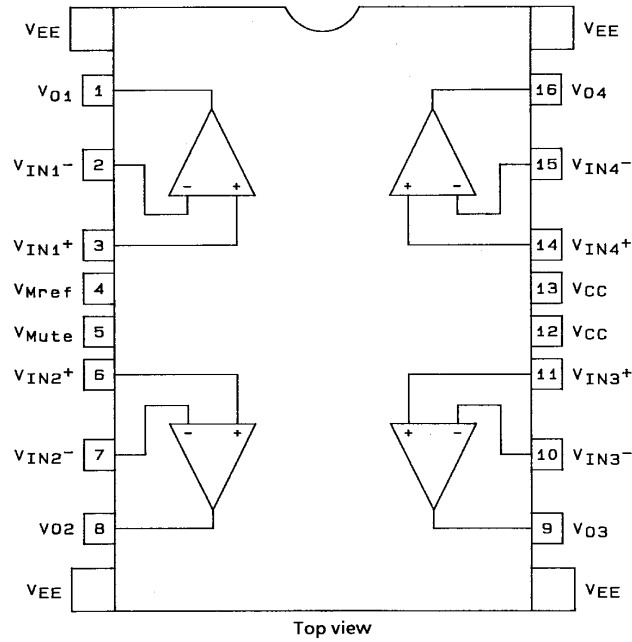


LA6540M

Continued from preceding page.

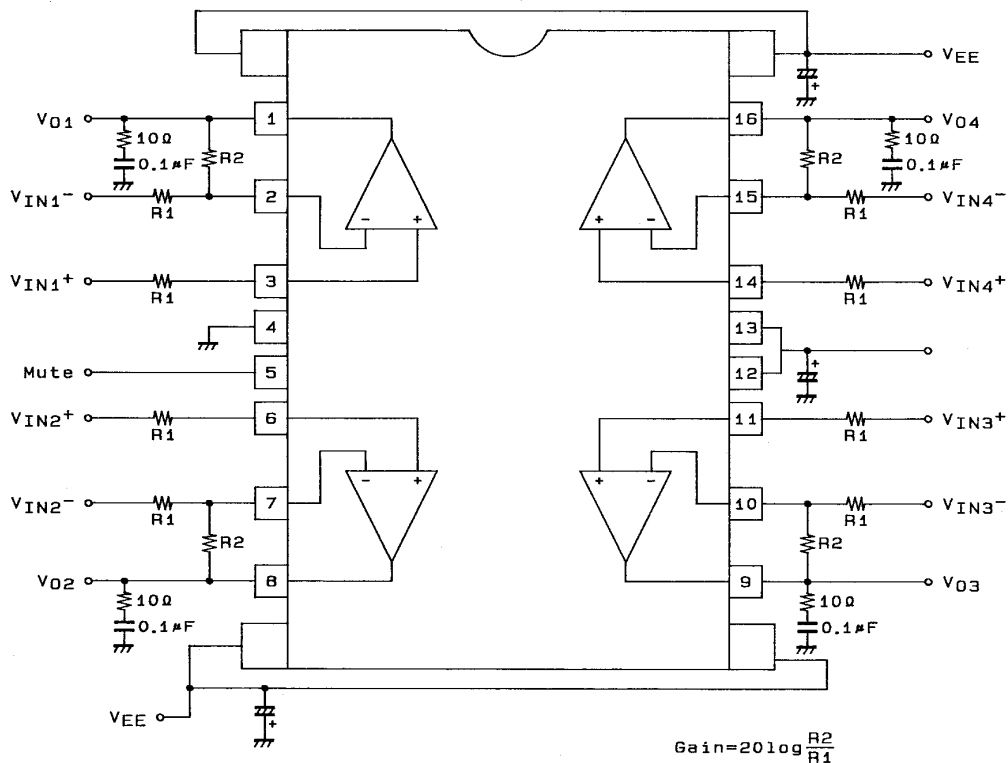
Parameter	Symbol	Conditions	min	typ	max	Unit
Input common-mode voltage range	V_{ID}		-14		+13	V
Common-mode signal rejection ratio	CMRR		60	75		dB
Maximum output voltage	V_O	$R_L = 33 \Omega$	± 11	± 12		V
Slew rate	SR	$R_L = 33 \Omega, R_1 = 2.2 \Omega, C_1 = 0.1 \mu F$		0.15		V/ μs
Limiting current (built in)	I_{SC}		0.5	0.7		A

Pin Assignment



A05010

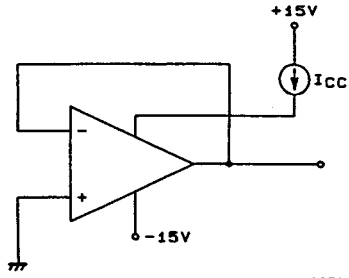
Sample Application Circuit



A05011

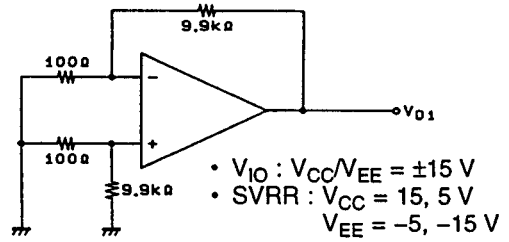
Test Circuits

I_{CC}



A05012

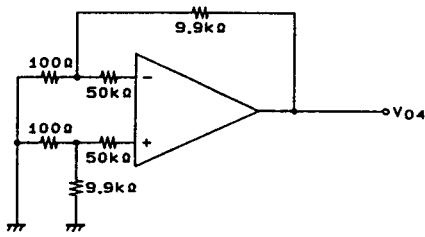
V_{IO}, SVRR



- V_{IO} : V_{CC}/V_{EE} = ±15 V
- SVRR : V_{CC} = 15, 5 V
V_{EE} = -5, -15 V

A05013

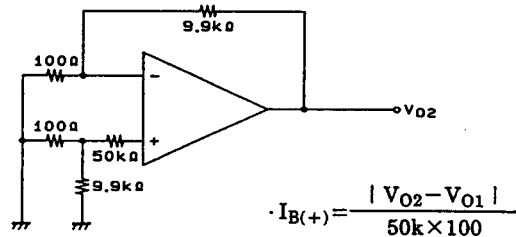
I_{IO}



$$\cdot I_{IO} = \frac{|V_{04} - V_{01}|}{50k \times 100}$$

A05014

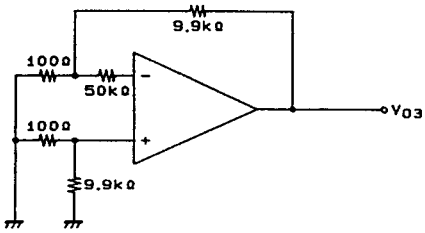
I_{B(+)}



$$\cdot I_{B(+)} = \frac{|V_{02} - V_{01}|}{50k \times 100}$$

A05015

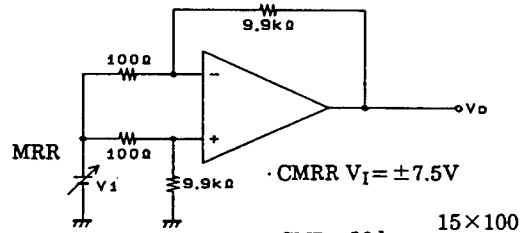
I_{B(-)}



$$\cdot I_{B(-)} = \frac{|V_{03} - V_{01}|}{50k \times 100}$$

A05016

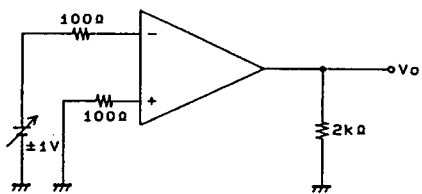
CMRR, V_{ICM}



- CMRR V_I = ±7.5V
- CMR = 20 log $\frac{15 \times 100}{|\Delta V_0|}$

A05017

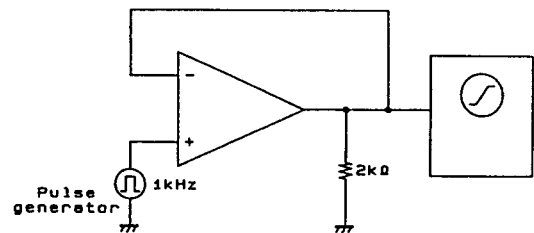
V_O



$$\begin{aligned} \cdot V_{IO} &= V_{01}/100 \\ \cdot SVR(+) &= \left| \frac{\Delta V_{01}}{100 \times 10V} \right| \\ \cdot SVR(-) &= \left| \frac{\Delta V_{01}}{100 \times 10V} \right| \end{aligned}$$

A05018

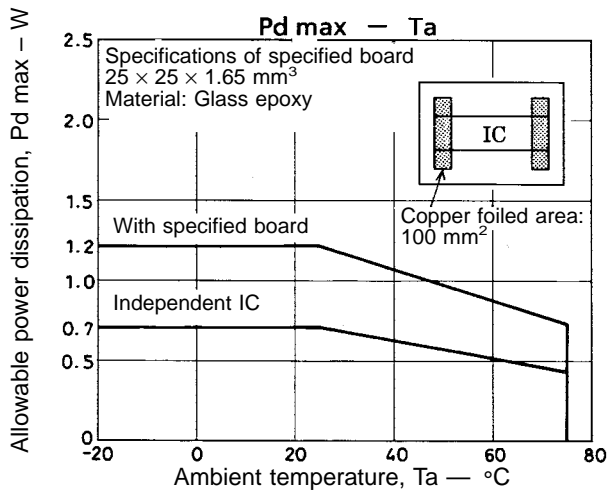
SR



10 Vp-p Square wave

A05019

LA6540M



- Specifications of any and all SANYO products described or contained herein stipulate the performance, characteristics, and functions of the described products in the independent state, and are not guarantees of the performance, characteristics, and functions of the described products as mounted in the customer's products or equipment. To verify symptoms and states that cannot be evaluated in an independent device, the customer should always evaluate and test devices mounted in the customer's products or equipment.
- SANYO Electric Co., Ltd. strives to supply high-quality high-reliability products. However, any and all semiconductor products fail with some probability. It is possible that these probabilistic failures could give rise to accidents or events that could endanger human lives, that could give rise to smoke or fire, or that could cause damage to other property. When designing equipment, adopt safety measures so that these kinds of accidents or events cannot occur. Such measures include but are not limited to protective circuits and error prevention circuits for safe design, redundant design, and structural design.
- In the event that any or all SANYO products (including technical data, services) described or contained herein are controlled under any of applicable local export control laws and regulations, such products must not be exported without obtaining the export license from the authorities concerned in accordance with the above law.
- No part of this publication may be reproduced or transmitted in any form or by any means, electronic or mechanical, including photocopying and recording, or any information storage or retrieval system, or otherwise, without the prior written permission of SANYO Electric Co., Ltd.
- Any and all information described or contained herein are subject to change without notice due to product/technology improvement, etc. When designing equipment, refer to the "Delivery Specification" for the SANYO product that you intend to use.
- Information (including circuit diagrams and circuit parameters) herein is for example only; it is not guaranteed for volume production. SANYO believes information herein is accurate and reliable, but no guarantees are made or implied regarding its use or any infringements of intellectual property rights or other rights of third parties.

This catalog provides information as of February, 1996. Specifications and information herein are subject to change without notice.