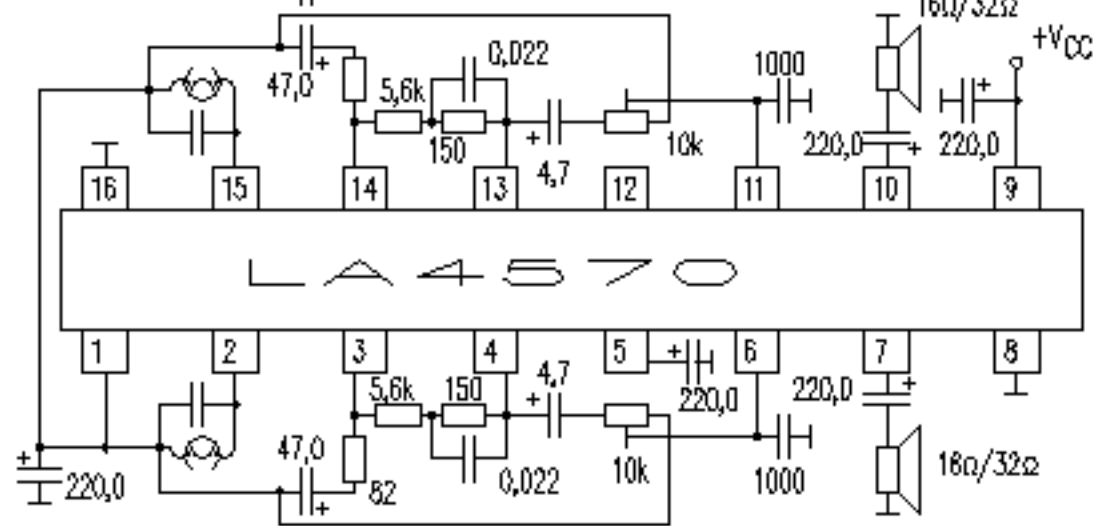
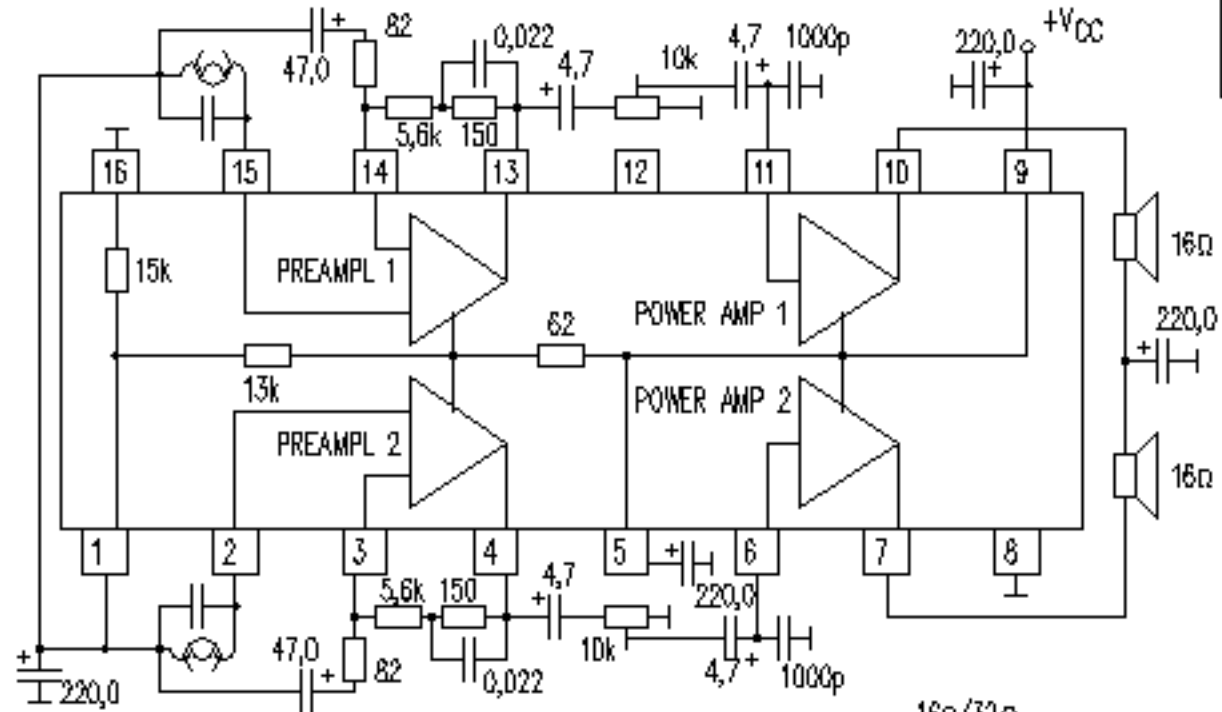


# LA4570

POWER AMPLIFIER  
2x0,02W



- VCC MAX = 4,5V
- VCC TYP = 3V
- VCC RNG = 1,8...3,6V
- Po = 2x0,02W
- RL = 32 Ohm
- TDH = 10%
- ICCD TYP = 9mA
- ICCD MAX = 15mA
- IMAX = -
- RIN = 30k
- Gain = 29dB
- Noise = 16mkV
- RTH-C = -
- Case DIP-16
- PREAMPLIFIER 41dB