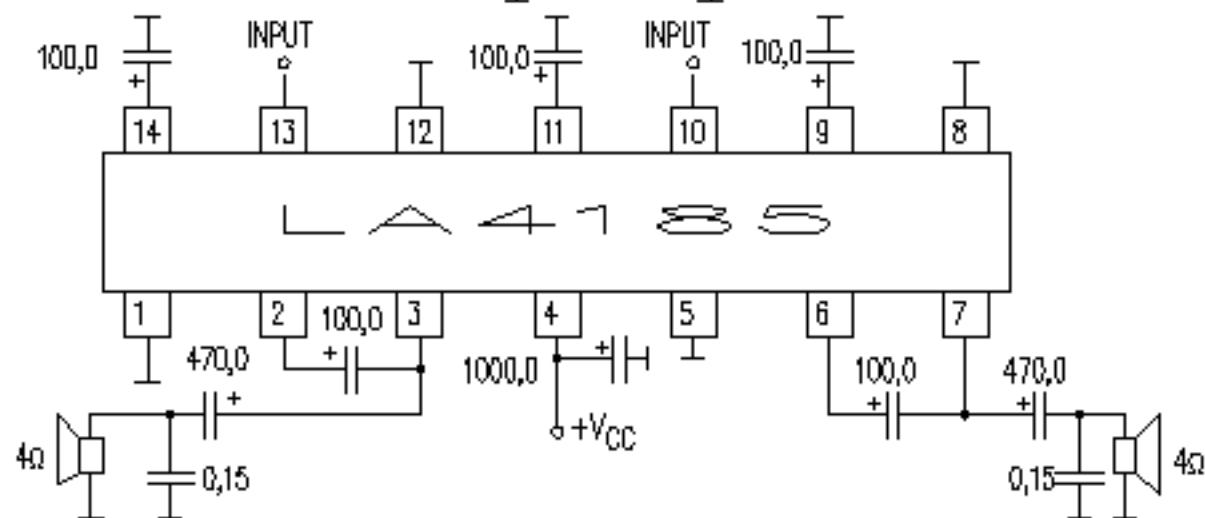
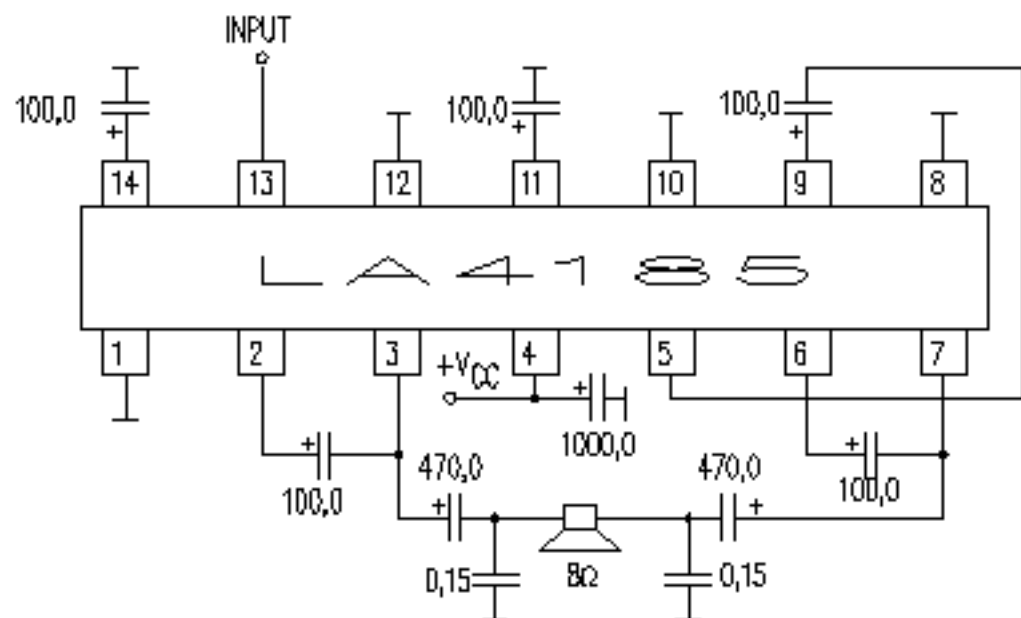


LA4185

POWER AMPLIFIER
2x2,4W



$V_{CC\ MAX} = -$
 $V_{CC\ TYP} = 9V$
 $V_{CC\ RNG} = -$

$P_o = 2 \times 2,4W$
 $R_L = 4\ \Omega$
 $TDH = -$

$I_{CCO\ TYP} = -$
 $I_{CCO\ MAX} = -$
 $I_{MAX} = -$

$R_{IN} = -$
Gain = 45dB
Noise = -

$R_{THJ-C} = -$
Case SIP-14 H