

SANYO

No. 3651

LA1188A

Monolithic Linear IC

**FM Front-end for Radio Cassette Players
and Music Centers****OVERVIEW**

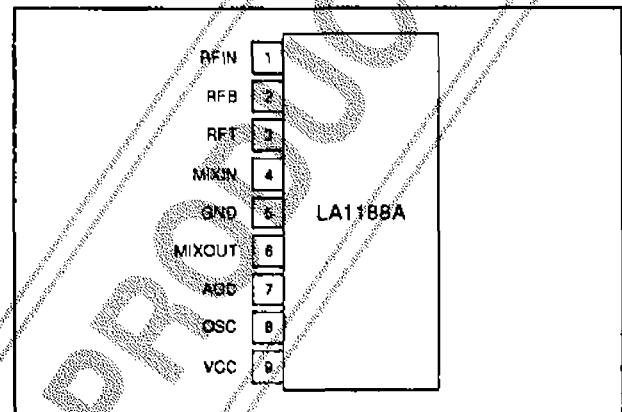
The LA1188A is an FM receiver front-end IC for radio cassette players and music center applications. It comprises an RF amplifier, a double-balanced mixer, a local oscillator, a wideband AGC circuit, a voltage regulator and a voltage reference circuit.

The LA1188A features low cross modulation, low intermodulation distortion and high detection sensitivity. It can also receive television channels 1 to 12.

The LA1188A operates from a 4.5 V supply and is available in 9-pin SIPs.

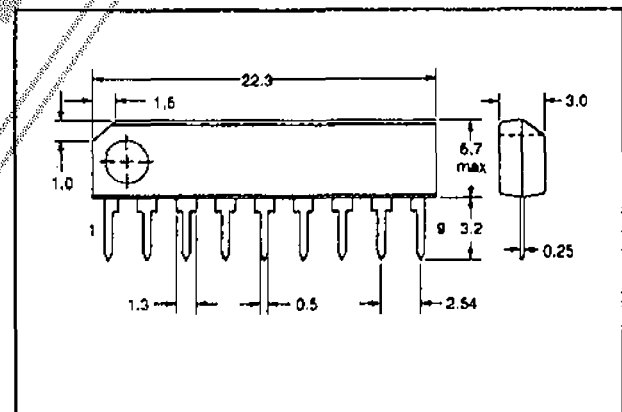
FEATURES

- RF amplifier
- Double-balanced mixer
- Local oscillator
- Wideband AGC circuit
- Voltage regulator and voltage reference circuit
- Low cross modulation
- Low intermodulation distortion
- High detector sensitivity
- Receives TV channels 1 to 12
- 4.5 V supply
- 9-pin SIP

PINOUT**PACKAGE DIMENSIONS**

Unit: mm

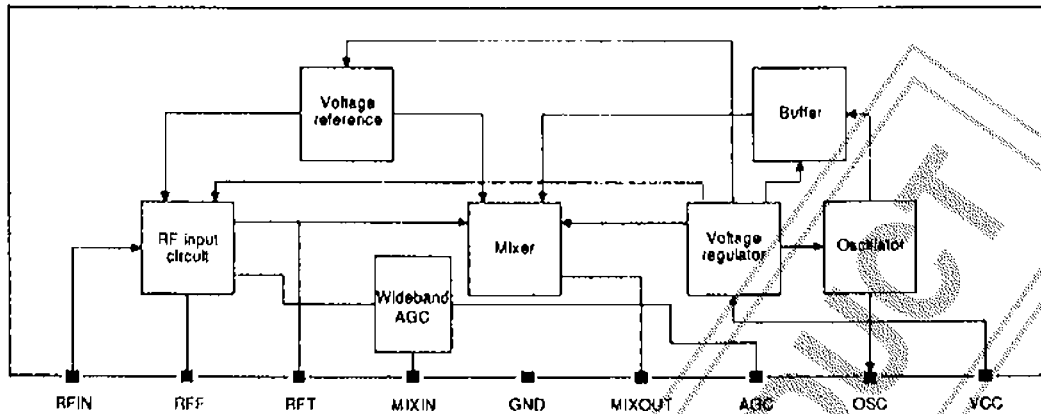
3017B-SIP9



Specifications and information herein are subject to change without notice.

SANYO Electric Co., Ltd. Semiconductor Division
 Natsume Bldg., 18-6, 2-chome, Yushima, Bunkyo-ku, TOKYO 113 JAPAN

BLOCK DIAGRAM



PIN DESCRIPTION

Number	Name	Description
1	RFIN	RF input
2	RFB	RF bypass capacitor connection
3	RFT	RF tuned circuit connection
4	MIXIN	Mixer input
5	GND	Ground
6	MIXOUT	Mixer output
7	AGC	AGC capacitor connection
8	OSC	Oscillator-tuned circuit connection
9	VCC	Voltage supply

SPECIFICATIONS

Absolute Maximum Ratings

Parameter	Symbol	Rating	Unit
Supply voltage	V_{CC}	8	V
RFT input voltage	V_i	8.5	V
MIXOUT output voltage	V_o	$V_{CC} + 0.8$	V
Power dissipation	P_D	150	mW
Operating temperature range	T_{opg}	-20 to 80	°C
Storage temperature range	T_{stg}	-40 to 125	°C

Recommended Operating Conditions

$T_a = 25\text{ }^\circ\text{C}$

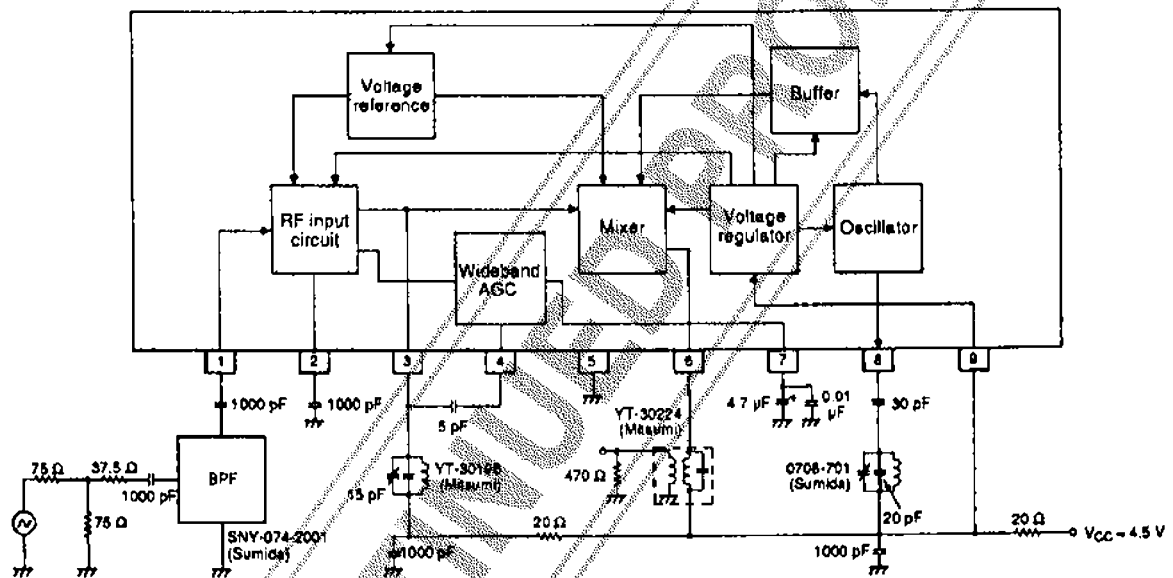
Parameter	Symbol	Rating	Unit
Supply voltage	V_{CC}	4.5	V
Supply voltage range	V_{CC}	3.5 to 7.5	V

Electrical Characteristics

$V_{CC} = 4.5 \text{ V}$, $T_a = 25 \text{ }^\circ\text{C}$, $f_r = 108 \text{ MHz}$, $f_{osc} = 118.7 \text{ MHz}$ unless otherwise noted

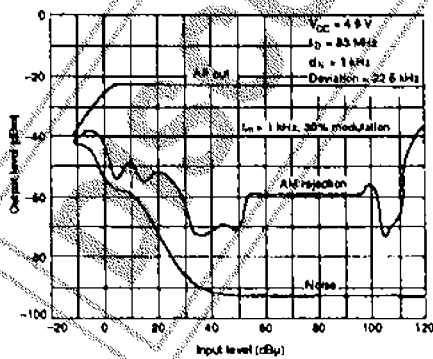
Parameter	Symbol	Condition	Rating			Unit
			min	typ	max	
Quiescent supply current	I_{CCQ}	No input signal	—	9.0	14	mA
Output saturation voltage	V_{sat}	100 dB μ input signal	25	45	65	mV
Local-oscillator voltage	V_{OSC}	$V_{CC} = 3 \text{ V}$	235	370		mV
Local-oscillator cutoff voltage	$V_{OSC(OFF)}$		—	1.8	2.5	V
AGC voltage	V_{AGC}	No input signal	1.6	2.3	3.0	V
		110 dB μ input signal	0.8	1.1	1.4	

Measurement Circuit

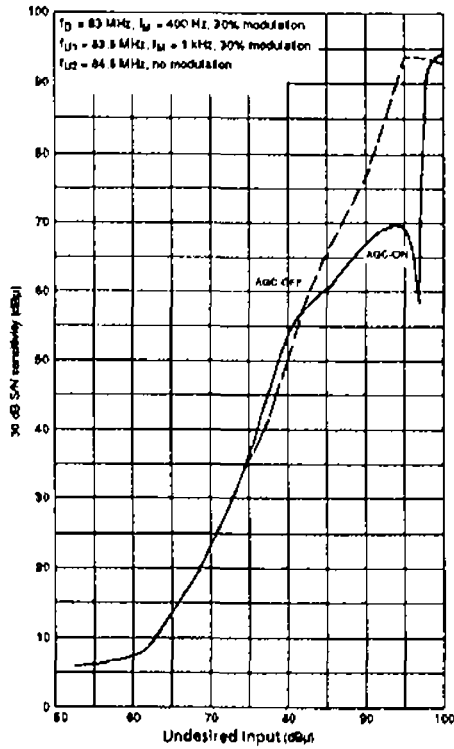


Typical Performance Characteristics

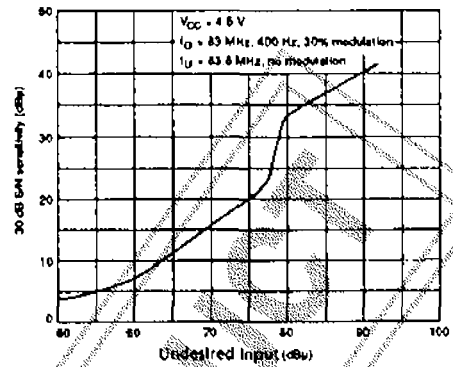
Input vs. output



Intermodulation distortion



Cross modulation



Information (including circuit diagrams and circuit parameters) herein is for example only; it is not guaranteed for volume production. SANYO believes information herein is accurate and reliable, but no guarantees are made or implied regarding its use or any infringements of intellectual property rights or other rights of third parties.