

No.2605B

L79M00T Series

- 5 to -12V 0.5A 3-Pin Voltage Regulators

Features

- Output voltage L79M05T: -5V L79M06T: -6V L79M08T: -8V L79M09T: -9V
 L79M10T: -10V L79M12T: -12V
- 500mA output
- Small-sized power package TP-3H permitting the equipment to be made compact
- The allowable power dissipation can be increased by being surface-mounted on the board.
- Capable of being mounted in a variety of methods because of various lead forming versions available
- On-chip protectors (overcurrent limiter, ASO protector, thermal protector)
- Can meet tape-used automatic mounting requirements.

[Common to L79M00T series]

Maximum Ratings at Ta = 25°C

			unit
Maximum Supply Voltage	V _{CC} max	-5 to -12V output	-35 V
Allowable Power Dissipation	P _d max		1.0 W
Operating Temperature	T _{opr}		-30 to +80 °C
Storage Temperature	T _{stg}		-40 to +150 °C

[L79M05T]

Recommended Operating Conditions at Ta = 25°C

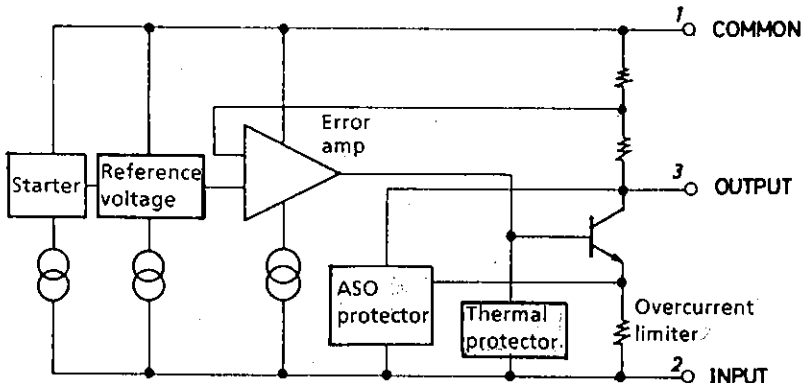
			unit
Input Voltage	V _{IN}	-20 to -7.5	V
Output Current	I _{OUT}	5 to 500	mA

Operating Characteristics at Ta = 25°C, V_{IN} = -10V, I_{OUT} = 350mA, C_{IN} = 2μF, C_{OUT} = 1μF

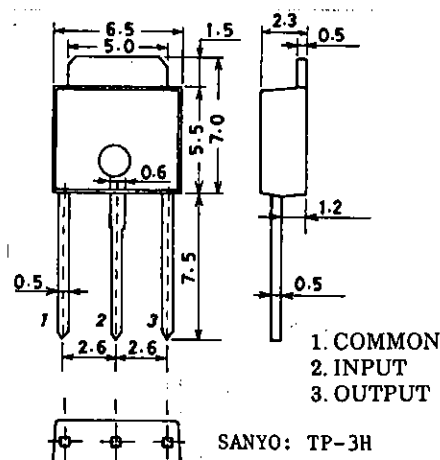
			min	typ	max	unit
Output Voltage	V _{OUT}	T _j = 25°C	-5.2	-5.0	-4.8	V
Line Regulation	ΔV _{oline}	T _j = 25°C, -25V ≤ V _{IN} ≤ -7V	7.0	50		mV
		T _j = 25°C, -18V ≤ V _{IN} ≤ -8V	3.0	30		mV
Load Regulation	ΔV _{oload}	T _j = 25°C, 5mA ≤ I _{OUT} ≤ 500mA	10	100		mV
		T _j = 25°C, 5mA ≤ I _{OUT} ≤ 350mA	5			mV

Continued on next page.

Equivalent Circuit



Package Dimensions 3110-S3HIC (unit: mm)



L79M00T Series

Continued from preceding page.

			min	typ	max	unit
Output Voltage	V_{OUT}	$-25V \leq V_{IN} \leq -7V,$ $5mA \leq I_{OUT} \leq 350mA$	-5.25		-4.75	V
Current Dissipation	I_{CC}	$T_j = 25^\circ C$		1.0	2.5	mA
Current Dissipation Variation (Line)	ΔI_{CCline}	$-25V \leq V_{IN} \leq -8V$			1.0	mA
Current Dissipation Variation (Load)	ΔI_{CCload}	$5mA \leq I_{OUT} \leq 350mA$			0.4	mA
Output Noise Voltage	V_{NO}	$10Hz \leq f \leq 100kHz$		125		μV
Ripple Rejection	R_{rej}	$f = 120Hz$ $-18V \leq V_{IN} \leq -8V$ $T_j = 25^\circ C$	$I_{OUT} = 100mA$ 50 $I_{OUT} = 300mA$ 50		65	dB dB
Minimum Input-Output Voltage Drop	V_{drop}	$T_j = 25^\circ C, I_{OUT} = 350mA$		1.1		V
Short Current	I_{OS}	$T_j = 25^\circ C, V_{IN} = -30V$		130		mA
Peak Output Current	I_{op}			800		mA

[L79M06T]

Recommended Operating Conditions at $T_a = 25^\circ C$

				unit
Input Voltage	V_{IN}		-21 to -8.5	V
Output Current	I_{OUT}		5 to 500	mA

Operating Characteristics at $T_a = 25^\circ C, V_{IN} = -11V, I_{OUT} = 350mA, C_{IN} = 2\mu F, C_{OUT} = 1\mu F$

			min	typ	max	unit
Output Voltage	V_{OUT}	$T_j = 25^\circ C$	-6.25	-6.0	-5.75	V
Line Regulation	ΔV_{oline}	$T_j = 25^\circ C, -25V \leq V_{IN} \leq -8V$		7.0	60	mV
		$T_j = 25^\circ C, -19V \leq V_{IN} \leq -9V$		3.0	40	mV
Load Regulation	ΔV_{oload}	$T_j = 25^\circ C, 5mA \leq I_{OUT} \leq 500mA$		10	120	mV
		$T_j = 25^\circ C, 5mA \leq I_{OUT} \leq 350mA$		5		mV
Output Voltage	V_{OUT}	$-25V \leq V_{IN} \leq -8V,$ $5mA \leq I_{OUT} \leq 350mA$	-6.3		-5.7	V
Current Dissipation	I_{CC}	$T_j = 25^\circ C$		1.0	2.5	mA
Current Dissipation Variation (Line)	ΔI_{CCline}	$-25V \leq V_{IN} \leq -9V$			1.0	mA
Current Dissipation Variation (Load)	ΔI_{CCload}	$5mA \leq I_{OUT} \leq 350mA$			0.4	mA
Output Noise Voltage	V_{NO}	$10Hz \leq f \leq 100kHz$		150		μV
Ripple Rejection	R_{rej}	$f = 120Hz$ $-19V \leq V_{IN} \leq -9V$ $T_j = 25^\circ C$	$I_{OUT} = 100mA$ 50 $I_{OUT} = 300mA$ 50		65	dB dB
Minimum Input-Output Voltage Drop	V_{drop}	$T_j = 25^\circ C, I_{OUT} = 350mA$		1.1		V
Short Current	I_{OS}	$T_j = 25^\circ C, V_{IN} = -30V$		130		mA
Peak Output Current	I_{op}			800		mA

[L79M08T]

Recommended Operating Conditions at $T_a = 25^\circ C$

				unit
Input Voltage	V_{IN}		-23 to -11	V
Output Current	I_{OUT}		5 to 500	mA

L79M00T Series

Operating Characteristics at $T_a = 25^\circ\text{C}$, $V_{IN} = -14\text{V}$, $I_{OUT} = 350\text{mA}$, $C_{IN} = 2\mu\text{F}$, $C_{OUT} = 1\mu\text{F}$

			min	typ	max	unit	
Output Voltage	V_{OUT}	$T_j = 25^\circ\text{C}$	-8.3	-8.0	-7.7	V	
Line Regulation	ΔV_{oline}	$T_j = 25^\circ\text{C}$, $-25\text{V} \leq V_{IN} \leq -10.5\text{V}$		8.0	80	mV	
Load Regulation	ΔV_{oload}	$T_j = 25^\circ\text{C}$, $-21\text{V} \leq V_{IN} \leq -11\text{V}$		4.0	50	mV	
		$T_j = 25^\circ\text{C}$, $5\text{mA} \leq I_{OUT} \leq 500\text{mA}$		11	160	mV	
Output Voltage	V_{OUT}	$T_j = 25^\circ\text{C}$, $5\text{mA} \leq I_{OUT} \leq 350\text{mA}$	-8.4		-7.6	V	
Current Dissipation	I_{CC}	$T_j = 25^\circ\text{C}$		1.0	2.5	mA	
Current Dissipation Variation (Line)	ΔI_{CCline}	$-25\text{V} \leq V_{IN} \leq -10.5\text{V}$			1.0	mA	
Current Dissipation Variation (Load)	ΔI_{CCload}	$5\text{mA} \leq I_{OUT} \leq 350\text{mA}$			0.4	mA	
Output Noise Voltage	V_{NO}	$10\text{Hz} \leq f \leq 100\text{kHz}$		200		μV	
Ripple Rejection	R_{rej}	$f = 120\text{Hz}$ $-21.5\text{V} \leq V_{IN} \leq -11.5\text{V}$ $T_j = 25^\circ\text{C}$		$I_{OUT} = 100\text{mA}$	50		dB
				$I_{OUT} = 300\text{mA}$	50	64	dB
Minimum Input-Output Voltage Drop	V_{drop}	$T_j = 25^\circ\text{C}$, $I_{OUT} = 350\text{mA}$		1.1		V	
Short Current	I_{OS}	$T_j = 25^\circ\text{C}$, $V_{IN} = -30\text{V}$		130		mA	
Peak Output Current	I_{op}			800		mA	

[L79M09T]

Recommended Operating Conditions at $T_a = 25^\circ\text{C}$

				unit
Input Voltage	V_{IN}		-25 to -12	V
Output Current	I_{OUT}		5 to 500	mA

Operating Characteristics at $T_a = 25^\circ\text{C}$, $V_{IN} = -16\text{V}$, $I_{OUT} = 350\text{mA}$, $C_{IN} = 2\mu\text{F}$, $C_{OUT} = 1\mu\text{F}$

			min	typ	max	unit	
Output Voltage	V_{OUT}	$T_j = 25^\circ\text{C}$	-9.4	-9.0	-8.6	V	
Line Regulation	ΔV_{oline}	$T_j = 25^\circ\text{C}$, $-25\text{V} \leq V_{IN} \leq -11.5\text{V}$		8.0	80	mV	
Load Regulation	ΔV_{oload}	$T_j = 25^\circ\text{C}$, $-20\text{V} \leq V_{IN} \leq -12\text{V}$		4.0	50	mV	
		$T_j = 25^\circ\text{C}$, $5\text{mA} \leq I_{OUT} \leq 500\text{mA}$		12	200	mV	
Output Voltage	V_{OUT}	$T_j = 25^\circ\text{C}$, $5\text{mA} \leq I_{OUT} \leq 350\text{mA}$	-9.5		-8.5	V	
Current Dissipation	I_{CC}	$T_j = 25^\circ\text{C}$		1.0	2.5	mA	
Current Dissipation Variation (Line)	ΔI_{CCline}	$-25\text{V} \leq V_{IN} \leq -11.5\text{V}$			1.0	mA	
Current Dissipation Variation (Load)	ΔI_{CCload}	$5\text{mA} \leq I_{OUT} \leq 350\text{mA}$			0.4	mA	
Output Noise Voltage	V_{NO}	$10\text{Hz} \leq f \leq 100\text{kHz}$		225		μV	
Ripple Rejection	R_{rej}	$f = 120\text{Hz}$ $-22.5\text{V} \leq V_{IN} \leq -12.5\text{V}$ $T_j = 25^\circ\text{C}$		$I_{OUT} = 100\text{mA}$	50		dB
				$I_{OUT} = 300\text{mA}$	50	63	dB
Minimum Input-Output Voltage Drop	V_{drop}	$T_j = 25^\circ\text{C}$, $I_{OUT} = 350\text{mA}$		1.1		V	
Short Current	I_{OS}	$T_j = 25^\circ\text{C}$, $V_{IN} = -30\text{V}$		130		mA	
Peak Output Current	I_{op}			800		mA	

L79M00T Series

[L79M10T]

Recommended Operating Conditions at $T_a = 25^\circ\text{C}$

			unit
Input Voltage	V_{IN}	-25 to -13	V
Output Current	I_{OUT}	5 to 500	mA

Operating Characteristics at $T_a = 25^\circ\text{C}, V_{IN} = -17\text{V}, I_{OUT} = 350\text{mA}, C_{IN} = 2\mu\text{F}, C_{OUT} = 1\mu\text{F}$

			min	typ	max	unit
Output Voltage	V_{OUT}	$T_j = 25^\circ\text{C}$	-10.4	-10	-9.6	V
Line Regulation	ΔV_{oline}	$T_j = 25^\circ\text{C}, -25\text{V} \leq V_{IN} \leq -12.5\text{V}$		9.0	80	mV
Load Regulation	ΔV_{oload}	$T_j = 25^\circ\text{C}, -22\text{V} \leq V_{IN} \leq -13\text{V}$		5.0	50	mV
		$T_j = 25^\circ\text{C}, 5\text{mA} \leq I_{OUT} \leq 500\text{mA}$		12	200	mV
Output Voltage	V_{OUT}	$T_j = 25^\circ\text{C}, 5\text{mA} \leq I_{OUT} \leq 350\text{mA}$		7		mV
		$-25\text{V} \leq V_{IN} \leq -12.5\text{V},$ $5\text{mA} \leq I_{OUT} \leq 350\text{mA}$	-10.5		-9.5	V
Current Dissipation	I_{CC}	$T_j = 25^\circ\text{C}$		1.0	2.5	mA
Current Dissipation Variation (Line)	ΔI_{CCline}	$-25\text{V} \leq V_{IN} \leq -12.5\text{V}$			1.0	mA
Current Dissipation Variation (Load)	ΔI_{CCload}	$5\text{mA} \leq I_{OUT} \leq 350\text{mA}$			0.4	mA
Output Noise Voltage	V_{NO}	$10\text{Hz} \leq f \leq 100\text{kHz}$		250		μV
Ripple Rejection	R_{rej}	$f = 120\text{Hz}$		50		dB
		$-23.5\text{V} \leq V_{IN} \leq -13.5\text{V}$	$I_{OUT} = 100\text{mA}$	50	63	dB
Minimum Input-Output Voltage Drop	V_{drop}	$T_j = 25^\circ\text{C}$				V
		$T_j = 25^\circ\text{C}, I_{OUT} = 350\text{mA}$		1.1		V
Short Current	I_{OS}	$T_j = 25^\circ\text{C}, V_{IN} = -30\text{V}$		130		mA
Peak Output Current	I_{op}			800		mA

[L79M12T]

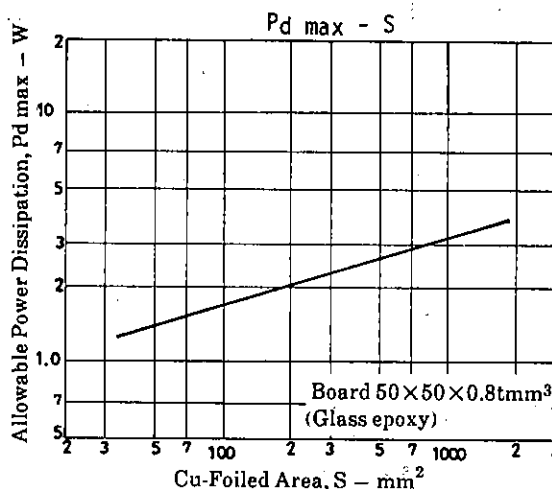
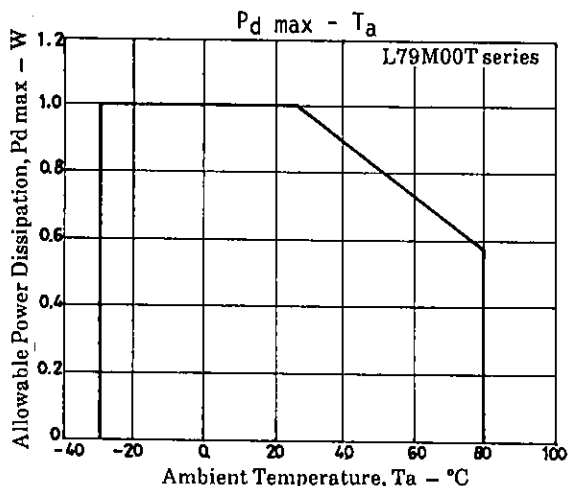
Recommended Operating Conditions at $T_a = 25^\circ\text{C}$

			unit
Input Voltage	V_{IN}	-25 to -15	V
Output Current	I_{OUT}	5 to 500	mA

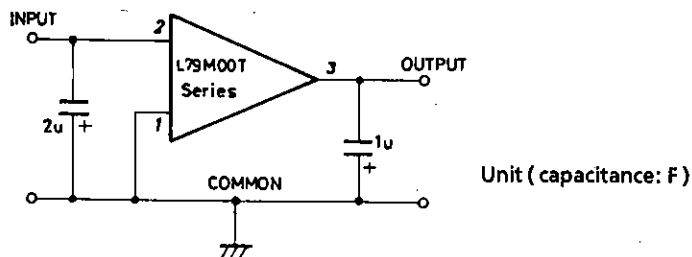
Operating Characteristics at $T_a = 25^\circ\text{C}, V_{IN} = -19\text{V}, I_{OUT} = 350\text{mA}, C_{IN} = 2\mu\text{F}, C_{OUT} = 1\mu\text{F}$

			min	typ	max	unit
Output Voltage	V_{OUT}	$T_j = 25^\circ\text{C}$	-12.5	-12	-11.5	V
Line Regulation	ΔV_{oline}	$T_j = 25^\circ\text{C}, -30\text{V} \leq V_{IN} \leq -14.5\text{V}$		9.0	80	mV
Load Regulation	ΔV_{oload}	$T_j = 25^\circ\text{C}, -25\text{V} \leq V_{IN} \leq -15\text{V}$		5.0	50	mV
		$T_j = 25^\circ\text{C}, 5\text{mA} \leq I_{OUT} \leq 500\text{mA}$		9	240	mV
Output Voltage	V_{OUT}	$T_j = 25^\circ\text{C}, 5\text{mA} \leq I_{OUT} \leq 350\text{mA}$		6		mV
		$-30\text{V} \leq V_{IN} \leq -14.5\text{V},$ $5\text{mA} \leq I_{OUT} \leq 350\text{mA}$	-12.6		-11.4	V
Current Dissipation	I_{CC}	$T_j = 25^\circ\text{C}$		1.6	3.5	mA
Current Dissipation Variation (Line)	ΔI_{CCline}	$-30\text{V} \leq V_{IN} \leq -14.5\text{V}$			1.0	mA
Current Dissipation Variation (Load)	ΔI_{CCload}	$5\text{mA} \leq I_{OUT} \leq 350\text{mA}$			0.4	mA
Output Noise Voltage	V_{NO}	$10\text{Hz} \leq f \leq 100\text{kHz}$		300		μV
Ripple Rejection	R_{rej}	$f = 120\text{Hz}$		50		dB
		$-25\text{V} \leq V_{IN} \leq -15\text{V}$	$I_{OUT} = 100\text{mA}$	50	72	dB
Minimum Input-Output Voltage Drop	V_{drop}	$T_j = 25^\circ\text{C}$				V
		$T_j = 25^\circ\text{C}, I_{OUT} = 350\text{mA}$		1.1		V
Short Current	I_{OS}	$T_j = 25^\circ\text{C}, V_{IN} = -30\text{V}$		130		mA
Peak Output Current	I_{op}			800		mA

L79M00T Series



Specified Test Circuit (Common to L79M00T series)



Note) V_{IN} max must be in the range specified above, with regulation, etc. considered.

- No products described or contained herein are intended for use in surgical implants, life-support systems, aerospace equipment, nuclear power control systems, vehicles, disaster/crime-prevention equipment and the like, the failure of which may directly or indirectly cause injury, death or property loss.
- Anyone purchasing any products described or contained herein for an above-mentioned use shall:
 - ① Accept full responsibility and indemnify and defend SANYO ELECTRIC CO., LTD., its affiliates, subsidiaries and distributors and all their officers and employees, jointly and severally, against any and all claims and litigation and all damages, cost and expenses associated with such use:
 - ② Not impose any responsibility for any fault or negligence which may be cited in any such claim or litigation on SANYO ELECTRIC CO., LTD., its affiliates, subsidiaries and distributors or any of their officers and employees jointly or severally.
- Information (including circuit diagrams and circuit parameters) herein is for example only; it is not guaranteed for volume production. SANYO believes information herein is accurate and reliable, but no guarantees are made or implied regarding its use or any infringements of intellectual property rights or other rights of third parties.