

32 K × 8 / 3.3 Volts Ultimate CMOS SRAM

Introduction

The L65656 is a very low power CMOS static RAM organized as 32 768 × 8 bits. It is manufactured using the MHS high performance SCMOS technology.

The L65656 provides fast access time of 70 ns for a 3 volts power supply.

Utilizing an array of six transistors (6T) memory cells, the L65656 combines an extremely low standby supply current (Typical value = 0.1 μA) with a fast access time at 70 ns in commercial temperature range. The high

stability of the 6T cell provides excellent protection against soft errors due to noise.

Extra protection against heavy ions is given by the use of an epitaxial layer of a P substrate.

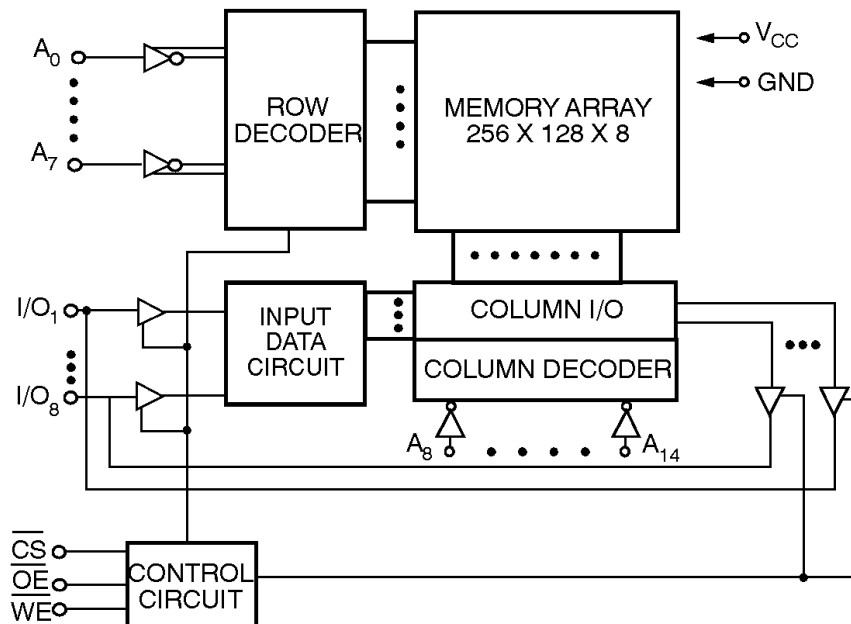
The L65656 is processed following the test methods of MIL STD 883C and/or ESA/SCC 9000, making it ideally suitable for military/space applications that demand superior levels of performance and reliability.

Features

- Single supply 3.3 ± 0.3 volts
- Access time
 - Commercial : 70/80/100 ns (max)
 - Military/industrial : 80/85/100 ns (max)
- Very low power consumption
 - Active : 200 mW (typ)
 - Standby : 0.3 μW (typ)
 - Data retention : 0.2 μW (typ)
- Wide temperature range : - 55 to + 125 °C
- Asynchronous
- Equal cycle and access time
- Gated inputs : no pull-up/down resistors are required

Interface

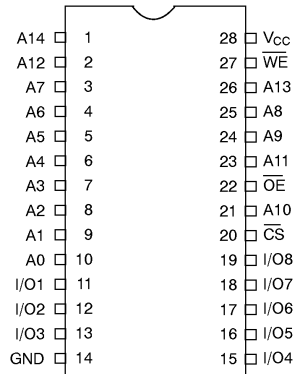
Block Diagram



L 65656

Pin Configuration

Pinout DIL/SO/FP 28 pins (top view)



Pin Description

A0-A14	: Address inputs	\overline{C} S (bar)	: Chip-Select
I/O0-I/O7	: Input/Output	\overline{W} (bar)	: Write Enable
V _{CC}	: Power	\overline{O} E (bar)	: Output Enable
Gnd	: Ground		

Truth Table

\overline{C} S (bar)	\overline{W} (bar)	\overline{O} E (bar)	INPUTS/OUTPUTS	MODE
H	X	X	Z	Deselect/ POWER-DOWN
L	H	L	DATA OUT	Read
L	L	X	DATA IN	Write
L	H	H	Z	Output disable

L = low, H = high, X = H or L, Z = high impedance.

Electrical Characteristics

Absolute Maximum Ratings

Supply voltage to GND potential : -0.5 V to + 7.0 V

Input or Output voltage applied : (Gnd - 0.3 V) to (V_{CC} + 0.3 V)

Storage temperature : -65 °C to + 150 °C

Operating Range

	OPERATING VOLTAGE	OPERATING TEMPERATURE
Military	3.3 V ± 0.3 V	- 55 °C to + 125 °C
Industrial	3.3 V ± 0.3 V	- 40 °C to + 85 °C
Commercial	3.3 V ± 0.3 V	0 °C to + 70 °C

DC Operating Conditions

PARAMETER	DESCRIPTION	MINIMUM	TYPICAL	MAXIMUM	UNIT
V _{CC}	Supply voltage	3	3.3	3.6	V
Gnd	Ground	0.0	0.0	0.0	V
V _{IL} (1)	Input low voltage	- 0.3	0.0	0.6	V
V _{IH}	Input high voltage	1.8	-	V _{CC} + 0.3 V	V

Note : 1. V_{IL} min = -0.3 V or -1.0 V pulse width 50 ns.

Capacitance

PARAMETER	DESCRIPTION	MINIMUM	TYPICAL	MAXIMUM	UNIT
Cin (2)	Input capacitance	–	–	8	pF
Cout (2)	Output capacitance	–	–	8	pF

Note : 2. TA = 25°C, f = 1 MHz, Vcc = 5.0 V, these parameters are not tested.

DC Parameter

PARAMETER	DESCRIPTION	MINIMUM	TYPICAL	MAXIMUM	UNIT
IIX (3)	Input leakage current	– 1.0	–	1	μA
IOZ(3)	Output leakage current	– 1.0	–	1.0	μA
VOL (4)	Output low voltage	–	–	0.4	V
VOH (4)	Output high voltage	2	–	–	V

Notes : 3. Gnd < Vin < Vcc, Gnd < Vout < Vcc Output disabled.
4. Vcc min, IOL = 6 mA, IOH = –1.0 mA.

Consumption for Commercial Specification

SYMBOL	PARAMETER	L 65656 V-70	L 65656 L-70	L 65656 V-80	L 65656 L-80	L 65656 V-100	L 65656 L-100	UNIT	VALUE
ICCSB (5)	Standby supply current	1	5	1	5	1	5	mA	max
ICCSB1 (6)	Standby supply current	4	70	4	70	4	70	μA	max
ICCOP (7)	Operating supply current	100	120	95	115	90	110	mA	max

Consumption for Industrial Specification

SYMBOL	PARAMETER	L 65656 V-80	L 65656 L-80	L 65656 V-85	L 65656 L-85	L 65656 V-100	L 65656 L-100	UNIT	VALUE
ICCSB (5)	Standby supply current	5	10	5	10	5	10	mA	max
ICCSB1 (6)	Standby supply current	9	90	9	90	9	90	μA	max
ICCOP (7)	Operating supply current	95	115	95	115	90	110	mA	max

Consumption for Military Specification

SYMBOL	PARAMETER	L 65656 V-80	L 65656 L-80	L 65656 V-85	L 65656 L-85	L 65656 V-100	L 65656 L-100	UNIT	VALUE
ICCSB (5)	Standby supply current	5	10	5	10	5	10	mA	max
ICCSB1 (6)	Standby supply current	90	400	90	400	90	400	μA	max
ICCOP (7)	Operating supply current	95	115	95	115	90	110	mA	max

Notes : 5. $\overline{CS} \geq V_{IH}$, $V_{in} \geq V_{IH}$ or $V_{in} \leq V_{IL}$.
6. $\overline{CS} \geq V_{cc} - 0.3$ V, $I_{out} = 0$ mA. $V_{in} \geq V_{cc} - 0.3$ V or $V_{in} \leq 0.3$ V.
7. Vcc max, Iout = 0 mA, f = max, Vin = Gnd/Vcc. Duty cycle 100 %.
For Low frequency application consult us for power consumption.

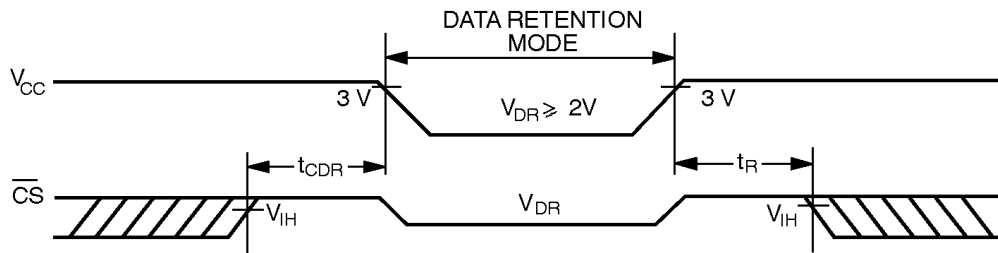
L 65656

Data Retention Mode

MHS CMOS RAM's are designed with battery backup in mind. Data retention voltage and supply current are guaranteed over temperature. The following rules insure data retention :

1. Chip select (\overline{CS}) must be held high during data retention ; within V_{CC} to $V_{CC} - 0.2$ V.
2. Output Enable (\overline{OE}) should be held high to keep the RAM outputs high impedance, minimizing power dissipation.
3. \overline{CS} and \overline{OE} must be kept between $V_{CC} + 0.3$ V and 70 % of V_{CC} during the power up and power down transitions.
4. The RAM can begin operation > 80 ns after V_{CC} reaches the minimum operating voltage (3 V).

Timing



Data Retention Characteristics

PARAMETER	DESCRIPTION	MINIMUM	TYPICAL (8)	MAXIMUM	UNIT
VCCDR	V_{CC} for data retention	2.0	-	-	V
TCDR	Chip deselect to data retention time	0.0	-	-	ns
TR	Operation recovery time	TAVAV (9)	-	-	ns
ICCDR1 (10)	Data retention current				
	@ 2.0 V :				
	CL-65656V-70/80/100	-	0.1	3	μ A
	CL-65656L-70/80/100	-	0.1	60	μ A
	IL-65656V-80/85/100	-	0.1	8	μ A
	IL-65656L-80/85/100	-	0.1	80	μ A
	ML-65656V-80/85/100	-	0.1	80	μ A
	ML-65656-80/85/100	-	0.1	300	μ A

- Notes :
8. $T_A = 25^\circ\text{C}$.
 9. TAVAV = Read cycle time.
 10. $\overline{CS} = V_{CC}$, $V_{in} = \text{Gnd}/V_{CC}$.

AC Parameters

AC Conditions

Input pulse levels : Gnd to 3.0 V Input timing reference levels : 1.2 V
 Input rise : 5 ns Output load : See fig. 1a, 1b

Write Cycle : Commercial Specification (note 12)

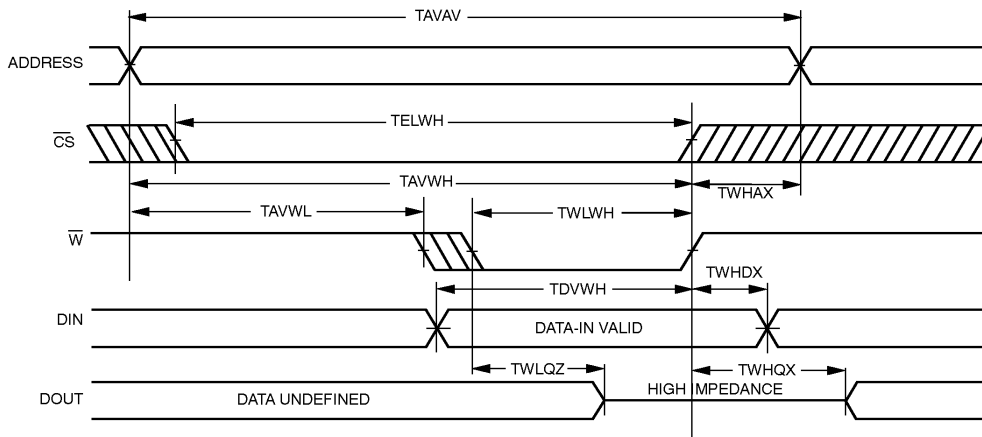
SYMBOL	PARAMETER	L 65656 V-70	L 65656 L-70	L 65656 V-80	L 65656 L-80	L 65656 V-100	L 65656 L-100	UNIT	VALUE
TAVAV	Write cycle time	70	70	80	80	100	100	ns	min
TAVWL	Address set-up time	0	0	0	0	0	0	ns	min
TAVWH	Address valid to end of write	55	55	65	65	85	85	ns	min
TDVWH	Data set-up time	45	45	55	55	65	65	ns	min
TELWH	\overline{CS} low to write end	55	55	65	65	85	85	ns	min
TWLQZ (11)	Write low to high Z	25	25	25	25	30	30	ns	max
TWLWH	Write pulse width	60	60	70	70	90	90	ns	min
TWHAX	Address hold to end of write	0	0	0	0	0	0	ns	min
TWHDX	Data hold time	0	0	0	0	0	0	ns	min
TWHQX (11)	Write high to low Z	0	0	0	0	0	0	ns	min

Write Cycle : Industrial and Military Specification (note 12)

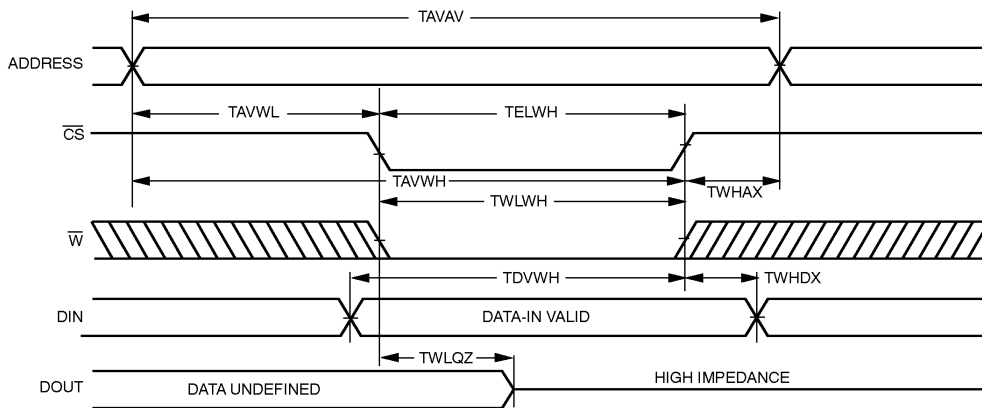
SYMBOL	PARAMETER	L 65656 V-80	L 65656 L-80	L 65656 V-85	L 65656 L-85	L 65656 V-100	L 65656 L-100	UNIT	VALUE
TAVAV	Write cycle time	80	80	85	85	100	100	ns	min
TAVWL	Address set-up time	0	0	0	0	0	0	ns	min
TAVWH	Address valid to end of write	65	65	70	70	85	85	ns	min
TDVWH	Data set-up time	55	55	60	60	65	65	ns	min
TELWH	\overline{CS} low to write end	65	65	70	70	85	85	ns	min
TWLQZ (11)	Write low to high Z	25	25	25	25	30	30	ns	max
TWLWH	Write pulse width	70	70	75	70	90	90	ns	min
TWHAX	Address hold to end of write	0	0	0	0	0	0	ns	min
TWHDX	Data hold time	0	0	0	0	0	0	ns	min
TWHQX (11)	Write high to low Z	0	0	0	0	0	0	ns	min

Note : 11. Specified with $C_L = 5$ pF (see figure 1b). Guaranteed. Not tested.

Write Cycle 1 : \overline{W} Controlled (note 12)



Write Cycle 2 : \overline{CS} Controlled (note 12)



Note : 12. The internal write time of the memory is defined by the overlap of \overline{CS} LOW and \overline{W} LOW. Both signals must be LOW to initiate a write and either signal can terminate a write by going HIGH. The data input setup and hold timing should be referenced to the rising edge of the signal that terminates the write. Data out is high impedance if $\overline{OE} = V_{IH}$.

AC Test Loads and Waveforms

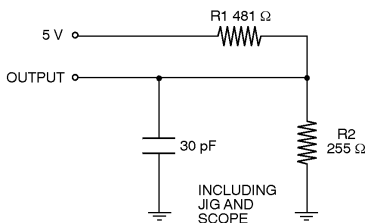


Figure 1
a

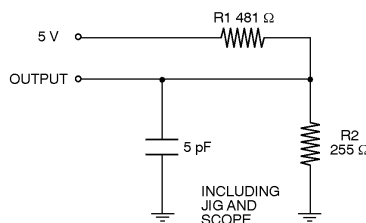


Figure 1 b

Equivalent to : THEVENIN EQUIVALENT

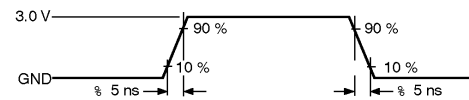
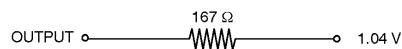


Figure 2

Read Cycle : Commercial Specification

SYMBOL	PARAMETER	L 65656 V-70	L 65656 L-70	L 65656 V-80	L 65656 L-80	L 65656 V-100	L 65656 L-100	UNIT	VALUE
TAVAV	Write cycle time	70	70	80	80	100	100	ns	min
TAVQV	Address access time	70	70	80	80	100	100	ns	max
TAVQX	Address valid to low Z	10	10	10	10	10	10	ns	min
TELQV	Chip-select access time	70	70	80	80	100	100	ns	max
TELQX (13)	\overline{CS} low to low Z	10	10	10	10	10	10	ns	min
TEHQZ (13)	\overline{CS} high to high Z	40	40	40	40	60	60	ns	max
TGLQV	Output Enable access time	35	35	35	35	40	40	ns	max
TGLQX (13)	\overline{OE} low to low Z	10	10	10	10	10	10	ns	min
TGHQZ (13)	\overline{OE} high to high Z	30	30	30	30	40	40	ns	max

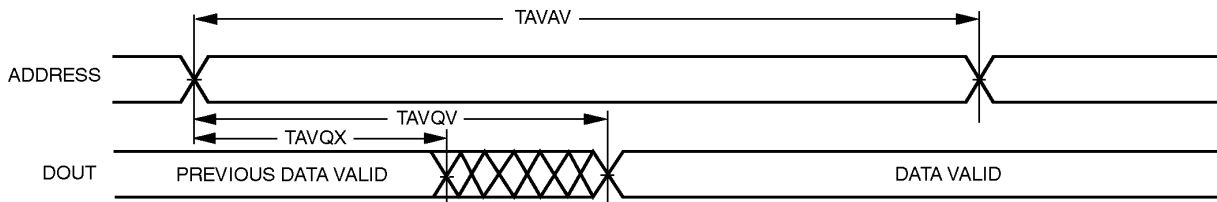
Read Cycle : Industrial and Military Specification

SYMBOL	PARAMETER	L 65656 V-80	L 65656 L-80	L 65656 V-85	L 65656 L-85	L 65656 V-100	L 65656 L-100	UNIT	VALUE
TAVAV	Read cycle time	80	80	85	85	100	100	ns	min
TAVQV	Address access time	80	80	85	85	100	100	ns	max
TAVQX	Address valid to low Z	10	10	10	10	10	10	ns	min
TELQV	Chip-select access time	80	80	85	85	100	100	ns	max
TELQX (13)	\overline{CS} low to low Z	10	10	10	10	10	10	ns	min
TEHQZ (13)	\overline{CS} high to high Z	40	40	50	50	60	60	ns	max
TGLQV	Output Enable access time	35	35	40	40	45	45	ns	max
TGLQX (13)	\overline{OE} low to low Z	10	10	10	10	10	10	ns	min
TGHQZ (13)	\overline{OE} high to high Z	30	30	35	35	40	40	ns	max

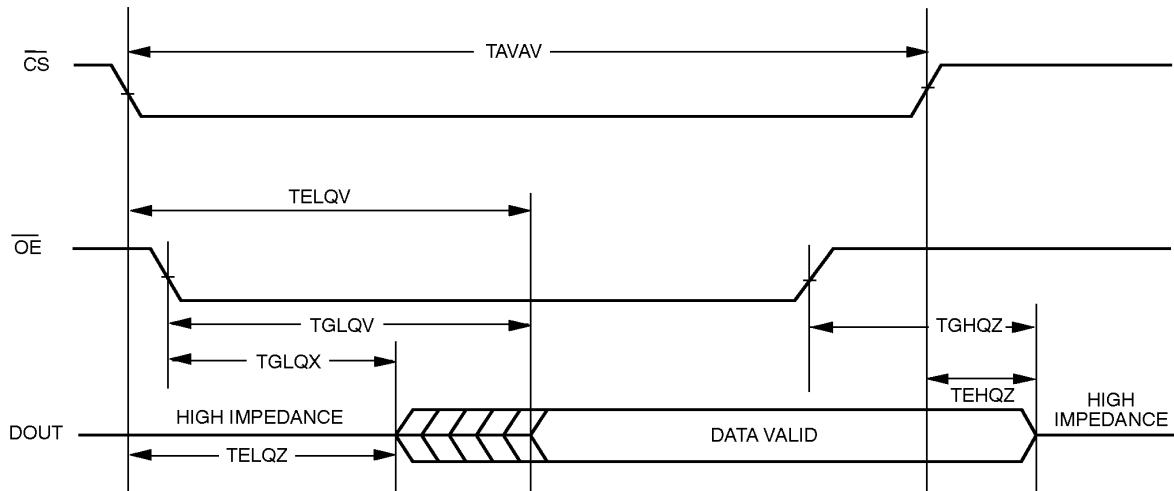
Note : 13. Guaranteed but not tested.

L 65656

Read Cycle nb 1 (notes 14, 15)



Read Cycle nb 2 (notes 14, 16)



- Notes :**
- 14. \overline{W} is high for read cycle.
 - 15. Device is continuously selected, \overline{CS} & \overline{OE} = VIL.
 - 16. Address valid prior to or coincident with \overline{CS} transition low.

Ordering Information

TEMPERATURE RANGE	PACKAGE	DEVICE	GRADE	SPEED	FLOW
C	L	UI	— 65656	L	- 80
	Low Voltage 3 ≤ V _{cc} ≤ 3.6 V		32K × 8 STATIC RAM		70 ns 80 ns 85 ns 100 ns
C = Commercial I = Industrial M = Military	0° to +70°C -40° to +85°C -55° to +125°C		V = Very low power L = Low power		
	II = 28 pins DIL CERAMIC 600 mils CI = 28 pins DIL SIDE-BRAZED 600 mils CP = 28 pins DIL SIDE-BRAZED 300 mils TI = 28 pins SOIC 300 mils UI = 28 pins SOJ 300 mils DP = 28 pins Multilayer Flat Pack			blank = MHS standards /883 = MIL STD 883 Class B or S CB = Compliant CECC 90000 Level B SHXXX = Special customer request	

The information contained herein is subject to change without notice. No responsibility is assumed by MATRA MHS SA for using this publication and/or circuits described herein : nor for any possible infringements of patents or other rights of third parties which may result from its use.