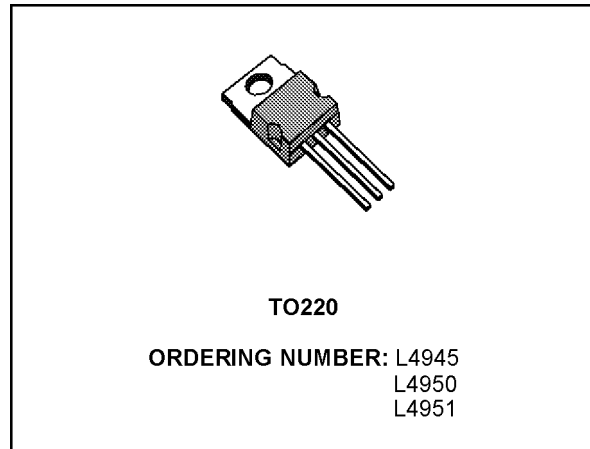


5V/8.5V/10V VERY LOW DROP VOLTAGE REGULATORS

- **PRECISE OUTPUT VOLTAGE:**
5V ± 4% (L4945)
8.5V ± 4% (L4950)
10V ± 4% (L4951)
OVER FULL TEMPERATURE RANGE
(- 40 / 125 °C)
- **VERY LOW VOLTAGE DROP (0.75Vmax)**
OVER FULL TEMPERATURE RANGE
- **OUTPUT CURRENT UP TO 500mA**
- **OVERVOLTAGE AND REVERSE VOLTAGE PROTECTIONS**
- **REVERSE VOLTAGE PROTECTION**
- **SHORT CIRCUIT PROTECTION AND THERMAL SHUT-DOWN (with hysteresis)**
- **LOW START UP CURRENT**

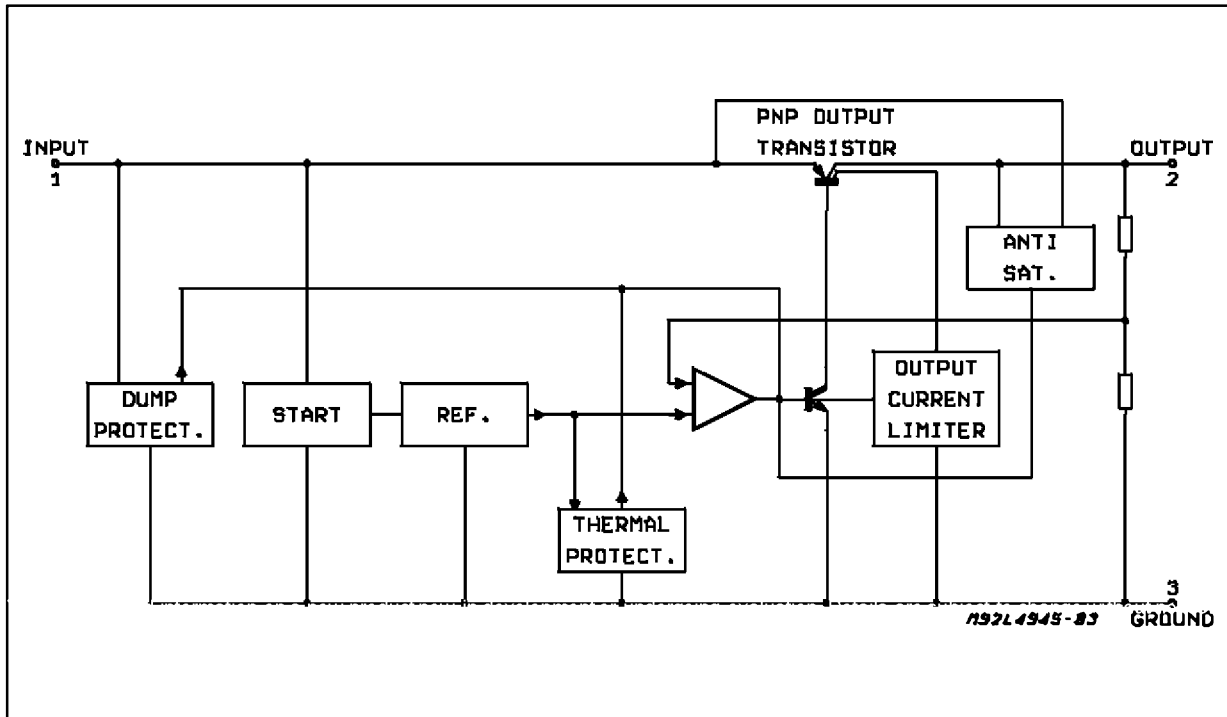


DESCRIPTION

The devices are a monolithic integrated circuit in Versawatt package specially designed to provide a stabilized supply voltage for automotive and industrial electronic systems. Thanks to their very

low voltage drop, in automotive applications the devices can work correctly even during the cranking phase, when the battery voltage could fall as low as 6V. Furthermore, they incorporate a complete range of protection circuits against the dangerous overvoltages always present on the battery rail of the car.

BLOCK DIAGRAM



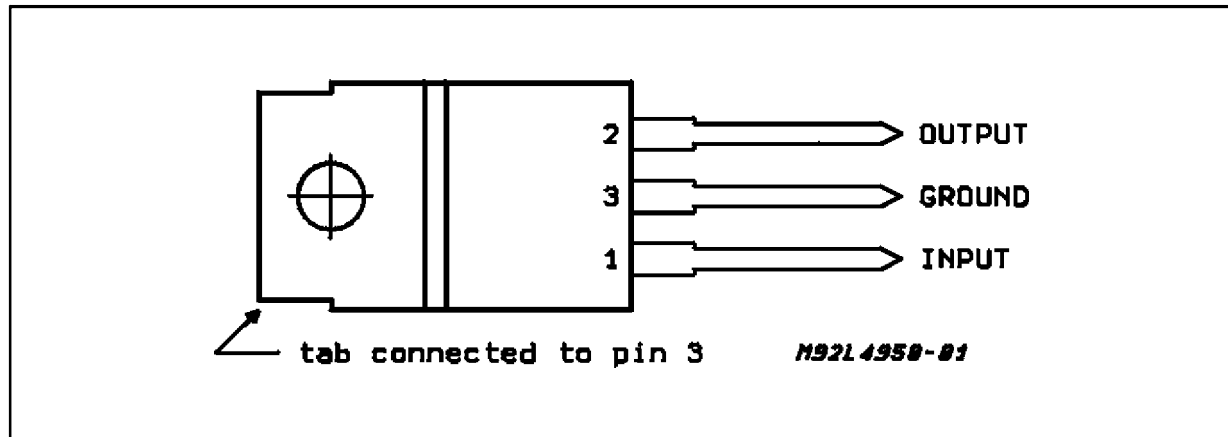
L4945 - L4950 - L4951

ABSOLUTE MAXIMUM RATINGS

Symbol	Parameter	Value	Unit
V _i	DC Input Voltage	35	V
	DC Reverse Input Voltage	- 18	V
	Transient Input Overvoltages :	80	V
	Load Dump :		
	5ms ≤ t _{rise} ≤ 10ms		
	τ _f Fall Time Constant = 100ms		
R _{SOURCE} ≥ 0.5Ω			
Field Decay :			
5ms ≤ t _{fall} ≤ 10ms, R _{SOURCE} ≥ 10Ω		- 80	V
τ _r Rise Time Constant = 33ms			
Low Energy Spike :			
t _{rise} = 1μs, t _{fall} = 500μs, R _{SOURCE} ≥ 10Ω		± 100	V
f _r Repetition Frequency = 5Hz			
T _J	Junction Temperature Range	- 40 to 150	°C
T _{OP}	Operating Temperature Range	- 40 to 125	°C
T _{stg}	Storage Temperature Range	- 55 to 150	°C

Note: The circuit is ESD protected according to MIL-STD-883C.

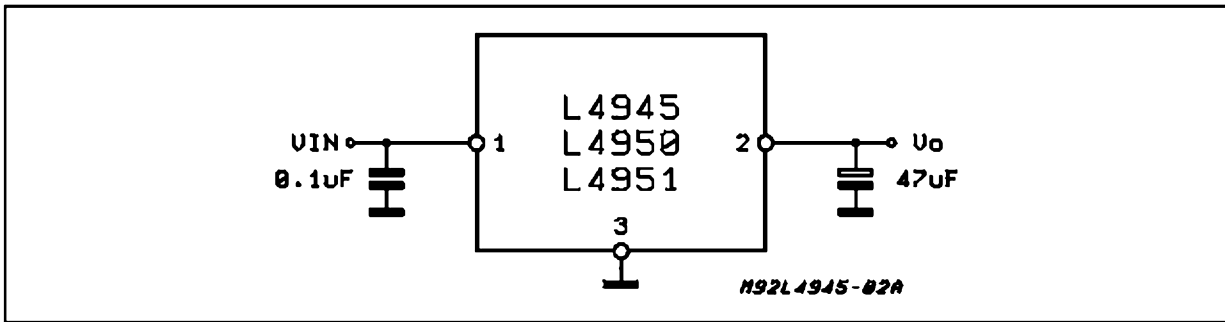
PIN CONNECTION (Top view)



THERMAL DATA

Symbol	Parameter	Value	Unit
R _{th j-case}	Thermal Resistance Junction-case	Max 3	°C/W

TEST CIRCUIT



ELECTRICAL CHARACTERISTICS (refer to the test circuit, $V_i = 14.4V$, $C_o = 47\mu F$, $ESR < 10\Omega$, $R_p = 1K\Omega$, $R_L = 1K\Omega$, $-40^\circ C \leq T_J \leq 125^\circ C$, unless otherwise specified)

Symbol	Parameter	Test Conditions	Min.	Typ.	Max.	Unit
V_o	Output Voltage	$I_o = 0mA$ to $500mA$ Over Full T Range	for L4945 4.80	5.00	5.20	V
		for L4950	8.16	8.50	8.84	V
		for L4951	9.60	10	10.4	V
		$T_J = 25^\circ C$	for L4945 4.90	5.00	5.10	V
		for L4950	8.33	8.50	8.67	V
		for L4951	9.80	10	10.2	V
V_i	Operating Input Voltage	$I_o = 0mA$ to (*) $500mA$	6		26	V
ΔV_o	Line Regulation	$V_i = 6V$ to $26V$; $I_o = 5mA$		2	10	mV
ΔV_o	Load Regulation	$I_o = 5mA$ to $500mA$		15	60	mV
$V_i - V_o$	Dropout Voltage	$I_o = 500mA$, $T_J = 25^\circ C$ Over Full T Range		0.40	0.55	V
					0.75	V
I_q	Quiescent Current	$I_o = 0mA$, $T_J = 25^\circ C$		5	10	mA
		$I_o = 0mA$ Over Full T		6.5	13	mA
		$I_o = 500mA$ Over Full T		110	180	mA
$\frac{\Delta V_o}{T}$	Temperature Output Voltage Drift			-0.5		mV/ $^\circ C$
SVR	Supply Volt. Rej.	$I_o = 350mA$; $f = 120Hz$ $C_o = 100\mu F$; $V_i = 12V \pm 5V_{pp}$	50	60		dB
I_{sc}	Output Short Circuit Current		0.50	0.80	1.50	A

(*) For a DC voltage $26 < V_i < 37V$ the device is not operating

FUNCTIONAL DESCRIPTION

The block diagram shows the basic structure of the devices : the reference, the error amplifier, the driver, the power PNP, the protection and reset functions.

The power stage is a Lateral PNP transistor which allows a very low dropout voltage (typ. 400mV at $T_J = 25^\circ C$, max. 750mV over the full temperature range @ $I_o = 500mA$). The typical curve of the dropout voltage as a function of the junction temperature is shown in Fig. 1 : that is the worst case, where $I_o = 500mA$.

The current consumption of the devices (quiescent current) are maximum 10mA - over full T -

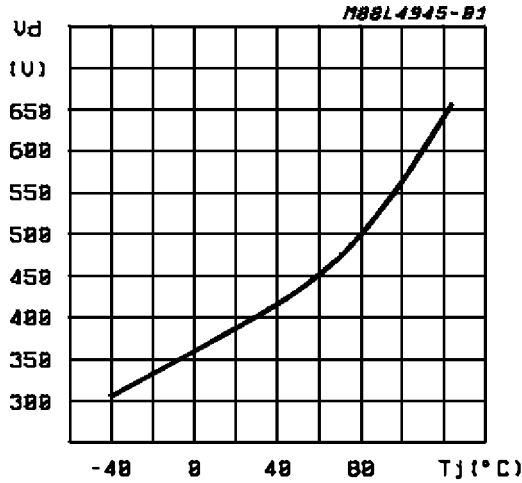
when no load current is required.

The internal antisaturation circuit allows a drastic reduction in the current peak which takes place during the start up.

The three gain stages (operational amplifier, driver and power PNP) require the external capacitor ($C_{omin} = 20\mu F$) to guarantee the global stability of the system.

Load dump and field decay protections ($\pm 80V$, $t = 300ms$), reverse voltage ($- 18V$) and short circuit protection, thermal shutdown are the main features that make the devices specially suitable for applications in the automotive environment.

Figure 1: Typical Dropout Voltage vs. T_j
($I_o = 500\text{mA}$).



EXTERNAL COMPENSATION

Since the purpose of a voltage regulator is to supply and load variations, the open loop gain of the regulators must be very high at low frequencies. This may cause instability as a result of the vari-

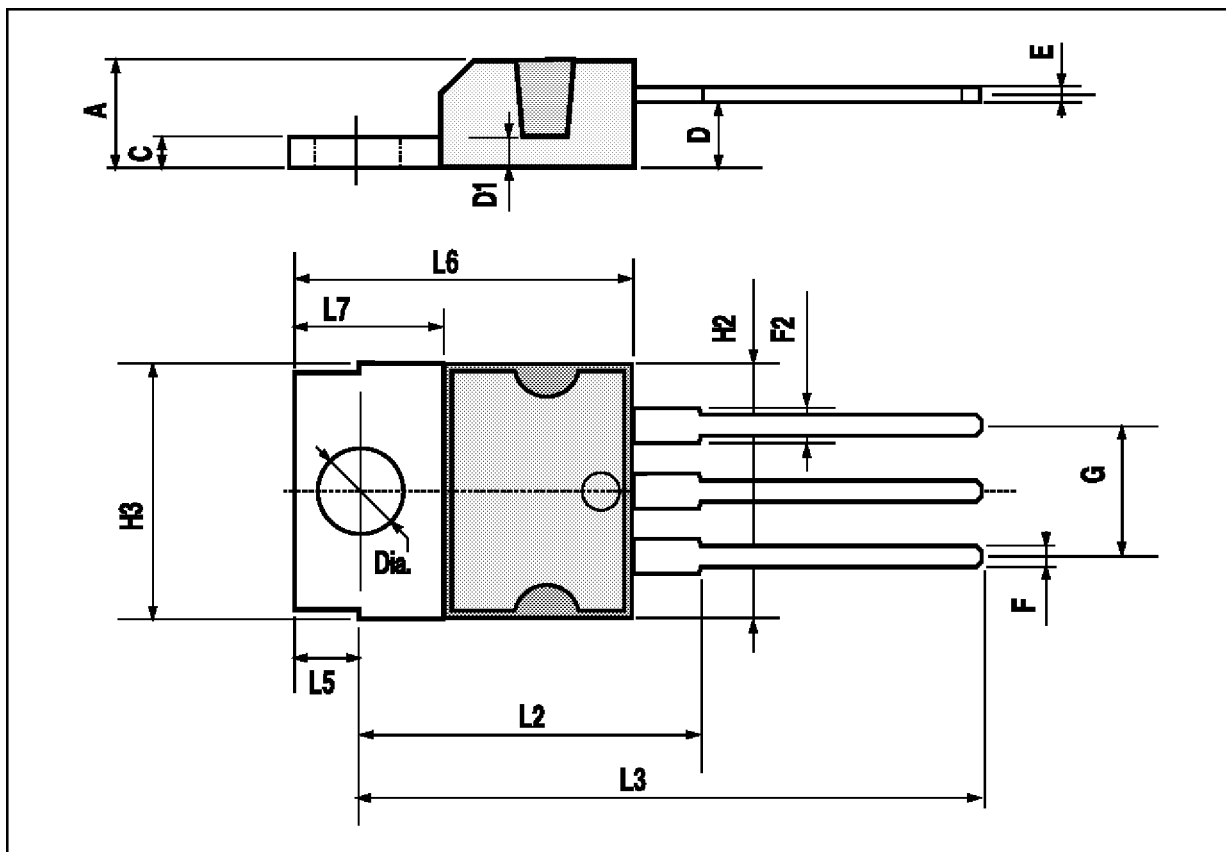
ous poles present in the loop. To avoid this instability dominant pole compensation is used to reduce phase shift due to other poles at the unity gain frequency. The lower the frequency of these other poles at the unity gain frequency, the lower the frequency of these other poles, the greater must be capacitor used to create the dominant pole for the same DC gain.

Where the output transistor is a lateral PNP type there is a pole in the regulation loop at a frequency too low to be compensated by a capacitor which can be integrated. An external compensation is therefore necessary so a very high value capacitor must be connected from the output to ground.

The parasitic equivalent series resistance of the capacitor used adds a zero to the regulation loop. This zero may compromise the stability of the system since its effect tends to cancel the effect of the pole added. In regulators this ESR must be less than 3Ω and the minimum capacitor value is $47\mu\text{F}$.

TO220 (VERSAWATT) PACKAGE MECHANICAL DATA

DIM.	mm			inch		
	MIN.	TYP.	MAX.	MIN.	TYP.	MAX.
A			4.8			0.189
C			1.37			0.054
D	2.4		2.8	0.094		0.110
D1	1.2		1.35	0.047		0.053
E	0.35		0.55	0.014		0.022
F	0.8		1.05	0.031		0.041
F2	1.15		1.4	0.045		0.055
G	4.95	5.08	5.21	0.195	0.200	0.205
H2			10.4			0.409
H3	10.05		10.4	0.396		0.409
L2		16.2			0.638	
L3	26.3	26.7	27.1	1.035	1.051	1.067
L5	2.6		3	0.102		0.118
L6	15.1		15.8	0.594		0.622
L7	6		6.6	0.236		0.260
Dia	3.65		3.85	0.144		0.152



Information furnished is believed to be accurate and reliable. However, SGS-THOMSON Microelectronics assumes no responsibility for the consequences of use of such information nor for any infringement of patents or other rights of third parties which may result from its use. No license is granted by implication or otherwise under any patent or patent rights of SGS-THOMSON Microelectronics. Specifications mentioned in this publication are subject to change without notice. This publication supersedes and replaces all information previously supplied. SGS-THOMSON Microelectronics products are not authorized for use as critical components in life support devices or systems without express written approval of SGS-THOMSON Microelectronics.

© 1994 SGS-THOMSON Microelectronics - All Rights Reserved

SGS-THOMSON Microelectronics GROUP OF COMPANIES

Australia - Brazil - France - Germany - Hong Kong - Italy - Japan - Korea - Malaysia - Malta - Morocco - The Netherlands - Singapore - Spain - Sweden - Switzerland - Taiwan - Thailand - United Kingdom - U.S.A.