



PUSH-PULL FOUR CHANNEL / DUAL H-BRIDGE DRIVER

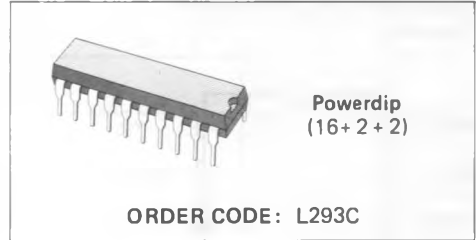
PRELIMINARY DATA

- 600mA OUTPUT CURRENT CAPABILITY PER CHANNEL
- 1.2A PEAK OUTPUT CURRENT (NON REPETITIVE) PER CHANNEL
- ENABLE FACILITY
- OVERTEMPERATURE PROTECTION
- LOGICAL "0" INPUT VOLTAGE UP TO 1.5V (HIGH NOISE IMMUNITY)
- SEPARATE HIGH VOLTAGE POWER SUPPLY (UP TO 44V)

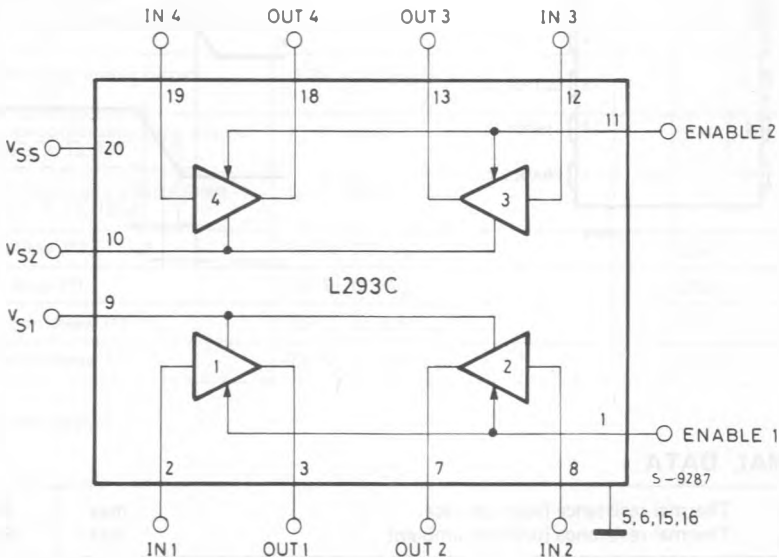
The device may easily be used as a dual H-bridge driver: separate chip enable and high voltage power supply pins are provided for each H-bridge. In addition, a separate power supply is provided for the logic section of the device.

The L293C is assembled in a 20 lead plastic package which has 4 center pins connected together and used for heatsinking.

The L293C is a monolithic high voltage, high current integrated circuit four channel driver in a 20 pin DIP. It is designed to accept standard TTL or DTL input logic levels and drive inductive loads (such as relays, solenoids, DC and stepping motors) and switching power transistors.



BLOCK DIAGRAM

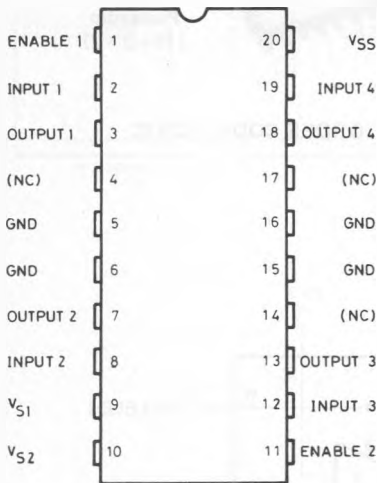


ABSOLUTE MAXIMUM RATINGS

V_s	Supply voltage	50	V
V_{ss}	Logic supply voltage	7	V
V_I	Input voltage	7	V
V_{EN}	Enable voltage	7	V
I_{out}	Peak output current (non-repetitive $t = 5ms$)	1.2	A
P_{tot}	Total power dissipation at $T_{ground-plns} = 80^{\circ}C$	5	W
T_{stg}, T_J	Storage and junction temperature	-40 to 150	$^{\circ}C$

CONNECTION DIAGRAM

(Top view)



S-9288

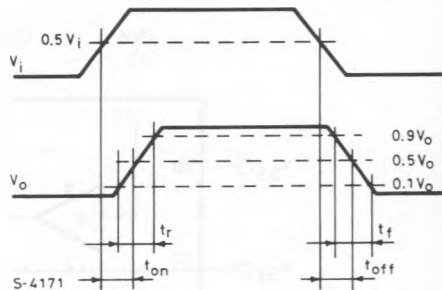
TRUTH TABLE

INPUT	ENABLE	OUTPUT
H	H	H
L	H	L
X	L	Z

Z = High output impedance

X = Don't care

SWITCHING TIMES



S-4171

THERMAL DATA

$R_{th(j-case)}$	Thermal resistance junction-case	max	14	$^{\circ}C/W$
$R_{th(j-amb)}$	Thermal resistance junction-ambient	max	80	$^{\circ}C/W$

ELECTRICAL CHARACTERISTICS (For each channel, $V_S = 24V$, $V_{SS} = 5V$, $T_{amb} = 25^\circ C$, unless otherwise specified)

Parameter		Test Conditions	Min.	Typ.	Max.	Unit
V_S	Supply voltage (pin 9, 10)		V_{SS}		44	V
V_{SS}	Logic supply voltage (pin 20)		4.5		7	V
I_S	Total quiescent supply current (pin 9, 10)	$V_I = L; I_O = 0; V_{EN} = H$		2	6	mA
		$V_I = H; I_O = 0; V_{EN} = H$		16	24	
		$V_{EN} = L$			4	
I_{SS}	Total quiescent logic supply current (pin 20)	$V_I = L; I_O = 0; V_{EN} = H$		44	60	mA
		$V_I = H; I_O = 0; V_{EN} = H$		16	22	
		$V_{EN} = L$		16	24	
V_{IL}	Input low voltage (pin 2, 8, 12, 19)		-0.3		1.5	V
V_{IH}	Input high voltage (pin 2, 8, 12, 19)		2.3		V_{SS}	V
I_{IL}	Low voltage input current (pin 2, 8, 12, 19)	$V_I = 1.5V$			-10	μA
I_{IH}	High voltage input current (pin 2, 8, 12, 19)	$2.3V \leq V_I \leq V_{SS} - 0.6V$		30	100	μA
V_{ENL}	Enable low voltage (pin 1, 11)		-0.3		1.5	V
V_{ENH}	Enable high voltage (pin 1, 11)		2.3		V_{SS}	V
I_{ENL}	Low voltage enable current (pin 1, 11)	$V_{ENL} = 1.5V$		-30	-100	μA
I_{ENH}	High voltage enable current (pin 1, 11)	$2.3V \leq V_{ENH} \leq V_{SS} - 0.6$			± 10	μA
$V_{CE(sat)H}$	Source output saturation voltage (pins 3, 7, 13, 18)	$I_O = -0.6A$		1.4	1.8	V
$V_{CE(sat)L}$	Sink output saturation voltage (pins 3, 7, 13, 18)	$I_O = +0.6A$		1.2	1.8	V
t_r	Rise time (*)	0.1 to 0.9 V_O		250		ns
t_f	Fall time (*)	0.9 to 0.1 V_O		250		ns
t_{on}	Turn-on delay (*)	0.5 V_I to 0.5 V_O		750		ns
t_{off}	Turn-off delay (*)	0.5 V_I to 0.5 V_O		200		ns

*1 See switching times diagram