

# DS1603

*DS1603 TRI-STATE Dual Receiver*



Literature Number: SNOSBK2A

# DS1603

## TRI-STATE® Dual Receiver

### General Description

The DS16033 is a dual differential TRI-STATE line receiver designed for a broad range of system applications. It features a high input impedance and low input current which reduces the loading effects on a digital transmission line, making it ideal for use in party line systems and general purpose applications like transducer preamplifiers, level translators and comparators.

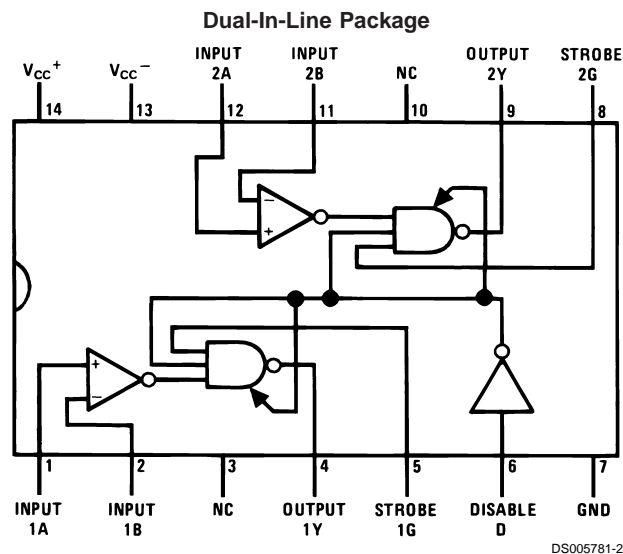
The receivers feature a  $\pm 25$  mV input sensitivity specified over a  $\pm 3$ V common mode range. Input protection diodes are incorporated in series with the collectors of the differential stage. These diodes are useful in applications that have multiple  $V_{CC+}$  supplies or  $V_{CC+}$  supplies that are turned off thus avoiding signal clamping. In addition, TTL compatible strobe and control lines are provide for flexibility in the application.

The DS1603 is pin compatible with the DS75107 dual line receiver.

### Features

- Diode protected input stage for power "OFF" condition
- 17 ns typ high speed
- TTL compatible
- $\pm 25$  mV input sensitivity
- $\pm 3$ V input common-mode range
- High-input impedance with normal  $V_{CC}$ , or  $V_{CC} = 0$ V
- Strobes for channel selection
- TRI-STATE outputs for high speed buses

### Connection Diagram



#### Top View

For Complete Military 883 Specifications, See RETS Data Sheet.  
 Order Number: DS1603J/883 or DS1603W/883  
 See NS Package Number J14A

**Absolute Maximum Ratings** (Note 2)

If Military/Aerospace specified devices are required, please contact the National Semiconductor Sales Office/Distributors for availability and specifications.

Supply Voltage ( $V_{CC^+}$ )	7V
Supply Voltage ( $V_{CC^-}$ )	-7V
Differential Input Voltage	±6V

Common Mode Input Voltage	±5V
Strobe Input Voltage	5.5V
Storage Temperature Range	-65°C to +150°C
Maximum Power Dissipation (Note 1) at 25°C	
Cavity Package	1308 mW
Molded Package	1207 mW
Lead Temperature (Soldering, 4 sec)	260°C

**Operating Conditions**

	DS1603		
	Min	Nom	Max
Supply Voltage $V_{CC^+}$	4.5V	5V	5.5V
Supply Voltage $V_{CC^-}$	-4.5V	-5V	-5.5V
Operating Temperature Range	-55°C	to	+125°C

**Note 1:** Derate cavity package 8.7 mW/°C; derate molded package 9.7 mW/°C above 25°C.

**Electrical Characteristics** (Notes 3, 4)

$$T_{MIN} \leq T_A \leq T_{MAX}$$

Symbol	Parameter	Conditions	Min	Typ	Max	Units
$I_{IH}$	High Level Input Current into 1A, 1B, 2A or 2B	$V_{CC^+} = \text{Max}, V_{CC^-} = \text{Max}, V_{ID} = 0.5V, V_{IC} = -3V \text{ to } 3V$		30	75	μA
$I_{IL}$	Low Level Input Current into 1A, 1B, 2A or 2B	$V_{CC^+} = \text{Max}, V_{CC^-} = \text{Max}, V_{ID} = -2V, V_{IC} = -3V \text{ to } 3V$			-10	μA
$I_{IH}$	High Level Input Current into 1G, 2G or D	$V_{CC^+} = \text{Max}$			40	μA
		$V_{CC^-} = \text{Max}$	$V_{IH(S)} = 2.4V$		1	mA
$I_{IL}$	Low Level Input Current into D	$V_{CC^+} = \text{Max}, V_{CC^-} = \text{Max}, V_{IL(D)} = 0.4V$			-1.6	mA
		$V_{CC^+} = \text{Max}, V_{CC^-} = \text{Max}, V_{IL(D)} = 0.4V$	$V_{IH(D)} = 2V$		-40	μA
$I_{IL}$	Low Level Input Current into 1G or 2G	$V_{CC^+} = \text{Max}, V_{CC^-} = \text{Max}, V_{IL(G)} = 0.4V$			-1.6	mA
		$V_{CC^+} = \text{Max}, V_{CC^-} = \text{Max}, V_{IL(G)} = 0.4V$	$V_{IL(D)} = 0.8V$			
$V_{OH}$	High Level Output Voltage	$V_{CC^+} = \text{Min}, V_{CC^-} = \text{Min}, I_{LOAD} = -2 \text{ mA}, V_{ID} = 25 \text{ mV}, V_{IL(D)} = 0.8V, V_{IC} = -3V \text{ to } 3V$	2.4			V
$V_{OL}$	Low Level Output Voltage	$V_{CC^+} = \text{Min}, V_{CC^-} = \text{Min}, I_{SINK} = 16 \text{ mA}, V_{ID} = -25 \text{ mV}, V_{IL(D)} = 0.8V, V_{IC} = -3V \text{ to } 3V$			0.4	V
$I_{OD}$	Output Disable Current	$V_{CC^+} = \text{Max}, V_{CC^-} = \text{Max}, V_{IH(D)} = 2V$			40	μA
		$V_{CC^+} = \text{Max}, V_{CC^-} = \text{Max}, V_{IH(D)} = 2V$	$V_{OUT} = 2.4V$		-40	μA
$I_{OS}$	Short Circuit Output Current	$V_{CC^+} = \text{Max}, V_{CC^-} = \text{Max}, V_{IL(D)} = 0.8V$ (Note 5)	-18		-70	mA
$I_{CCH^+}$	High Logic Level Supply Current from $V_{CC^+}$	$V_{CC^+} = \text{Max}, V_{CC^-} = \text{Max}, V_{ID} = 25 \text{ mV}, T_A = 25^\circ\text{C}$		28	40	mA
$I_{CCH^-}$	High Logic Level Supply Current from $V_{CC^-}$	$V_{CC^+} = \text{Max}, V_{CC^-} = \text{Max}, V_{ID} = 25 \text{ mV}, T_A = 25^\circ\text{C}$		-8.4	-15	mA
$V_I$	Input Clamp Voltage on G or D	$V_{CC^+} = \text{Min}, V_{CC^-} = \text{Min}, I_{IN} = -12 \text{ mA}, T_A = 25^\circ\text{C}$		-1	-1.5	V

**Note 2:** "Absolute Maximum Ratings" are those values beyond which the safety of the device cannot be guaranteed. Except for "Operating Temperature Range" they are not meant to imply that the devices should be operated at these limits. The table of "Electrical Characteristics" provides conditions for actual device operation.

**Note 3:** Unless otherwise specified min/max limits apply across the -55°C to +125°C temperature range for the DS1603 and across the 0°C to +70°C range for the DS3603. All typical values are for  $T_A = 25^\circ\text{C}$  and  $V_{CC} = 5V$ .

## Electrical Characteristics (Notes 3, 4) (Continued)

**Note 4:** All current into device pins shown as positive, out of device pins as negative, all voltages referenced to ground unless otherwise noted. All values shown as max or min on absolute value basis.

**Note 5:** Only one output at a time should be shorted.

## Switching Characteristics

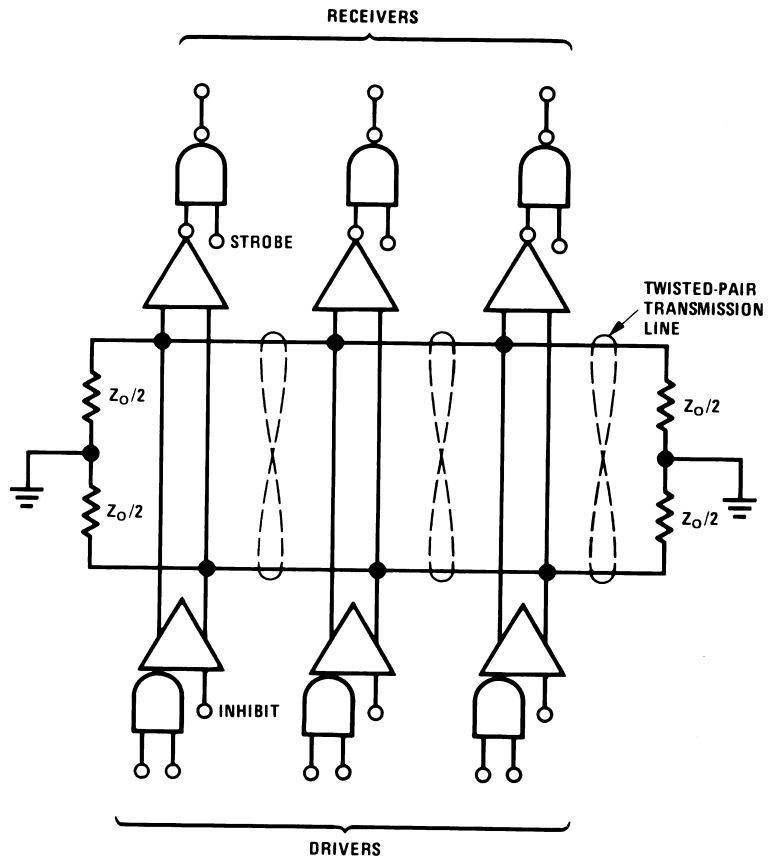
$V_{CC}^+ = 5V$ ,  $V_{CC}^- = -5V$ ,  $T_A = 25^\circ C$

Symbol	Parameter	Conditions	Min	Typ	Max	Units
$t_{PLH(D)}$	Propagation Delay Time, Low-to-High Level, from Differential Inputs A and B to Output	$R_L = 390\Omega$ , $C_L = 50$ pF, (Note 6)		17	25	ns
$t_{PHL(D)}$	Propagation Delay Time, High-to-Low Level, from Differential Inputs A and B to Output	$R_L = 390\Omega$ , $C_L = 50$ pF, (Note 6)		17	25	ns
$t_{PLH(S)}$	Propagation Delay Time, Low-to-High Level, from Strobe Input G to Output	$R_L = 390\Omega$ , $C_L = 50$ pF		10	15	ns
$t_{PHL(S)}$	Propagation Delay Time, High-to-Low Level, from Strobe Input G to Output	$R_L = 390\Omega$ , $C_L = 50$ pF		8	15	ns
$t_{1H}$	Disable Low-to-High to Output High to Off	$R_L = 390\Omega$ , $C_L = 5$ pF			20	ns
$t_{0H}$	Disable Low-to-High to Output Low to Off	$R_L = 390\Omega$ , $C_L = 5$ pF			30	ns
$t_{H1}$	Disable High-to-Low to Output Off to High	$R_L = 1k$ to $0V$ , $C_L = 50$ pF			25	ns
$t_{H0}$	Disable High-to-Low to Output Off to Low	$R_L = 390\Omega$ , $C_L = 50$ pF			25	ns

**Note 6:** Differential input is +100 mV to -100 mV pulse. Delays read from 0 mV on input to 1.5V on output.

# Typical Application

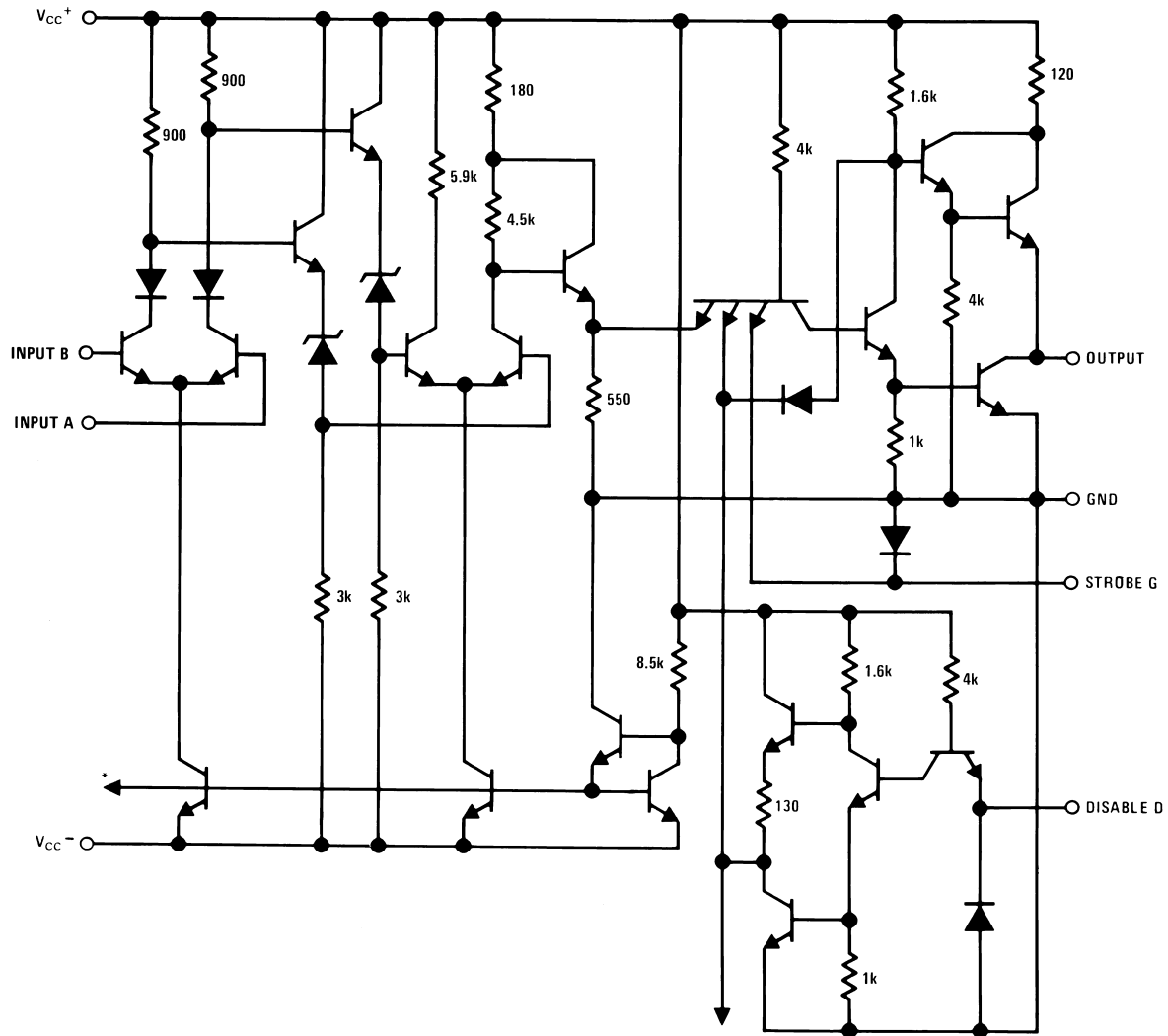
Line Receiver Used in a Party-Line or Data-Bus System



DS005781-3

Line receivers are  
 DS75107/DS75108  
 or DS3603  
 Line drivers are  
 SN75109/ $\mu$ A75110/DS75110  
 or DS8831

Schematic Diagram (Note 7)

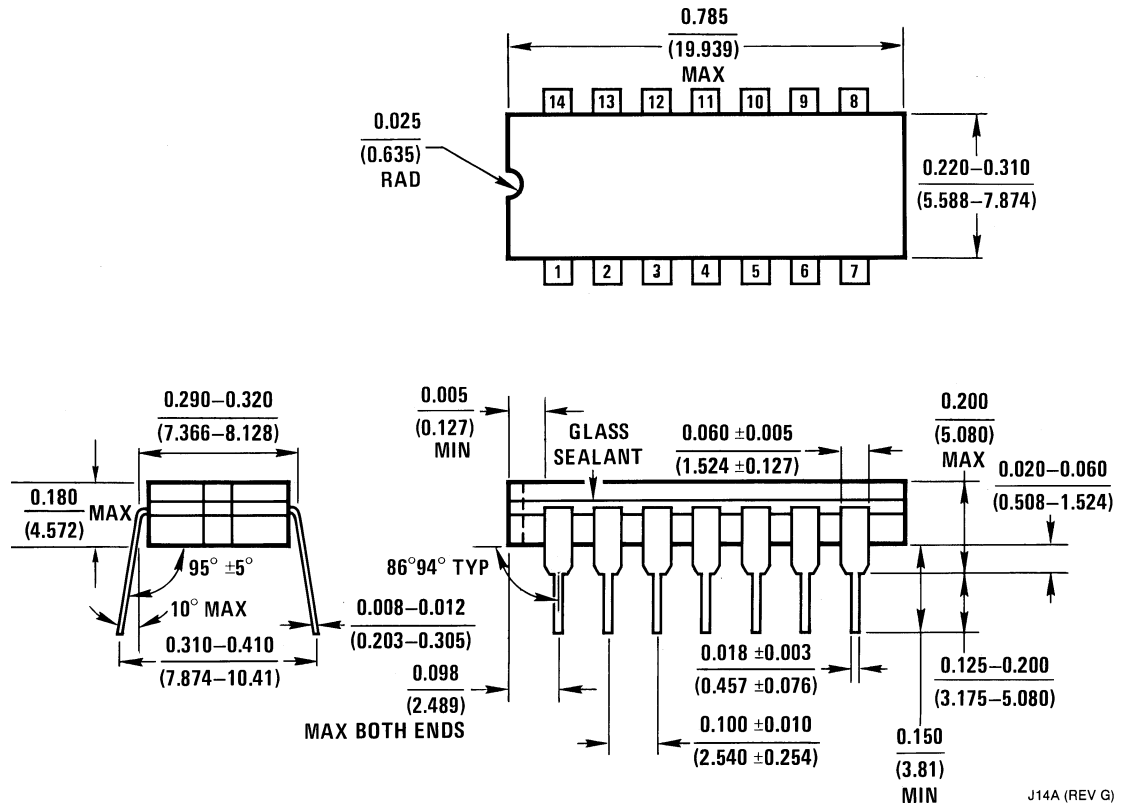


DS005781-6

**Note 7:** 1/2 of the dual circuit is shown.

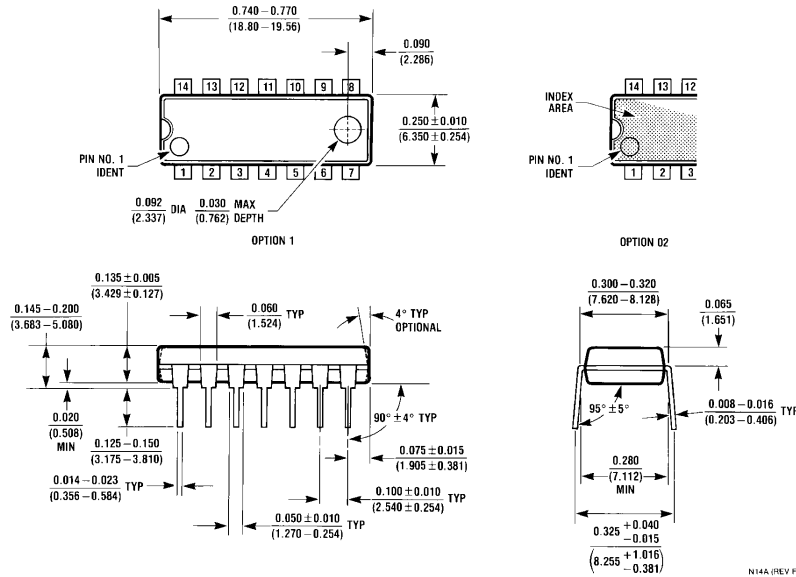
**Note 8:** \*Indicates connections common to second half of dual circuit.

**Physical Dimensions** inches (millimeters) unless otherwise noted



**Ceramic Dual-In-Line Package (J)**  
**Order Number DS1603J**  
**NS Package Number J14A**

**Physical Dimensions** inches (millimeters) unless otherwise noted (Continued)



**Molded Dual-In-Line Package (N)**  
**Order Number DS3603N**  
**NS Package Number N14A**

**LIFE SUPPORT POLICY**

NATIONAL'S PRODUCTS ARE NOT AUTHORIZED FOR USE AS CRITICAL COMPONENTS IN LIFE SUPPORT DEVICES OR SYSTEMS WITHOUT THE EXPRESS WRITTEN APPROVAL OF THE PRESIDENT AND GENERAL COUNSEL OF NATIONAL SEMICONDUCTOR CORPORATION. As used herein:

1. Life support devices or systems are devices or systems which, (a) are intended for surgical implant into the body, or (b) support or sustain life, and whose failure to perform when properly used in accordance with instructions for use provided in the labeling, can be reasonably expected to result in a significant injury to the user.
2. A critical component is any component of a life support device or system whose failure to perform can be reasonably expected to cause the failure of the life support device or system, or to affect its safety or effectiveness.



**National Semiconductor Corporation**  
 Americas  
 Email: support@nsc.com

**National Semiconductor Europe**  
 Fax: +49 (0) 180-530 85 86  
 Email: europe.support@nsc.com  
 Deutsch Tel: +49 (0) 69 9508 6208  
 English Tel: +44 (0) 870 24 0 2171  
 Français Tel: +33 (0) 1 41 91 8790

**National Semiconductor Asia Pacific Customer Response Group**  
 Tel: 65-2544466  
 Fax: 65-2504466  
 Email: ap.support@nsc.com

**National Semiconductor Japan Ltd.**  
 Tel: 81-3-5639-7560  
 Fax: 81-3-5639-7507

www.national.com



## IMPORTANT NOTICE

Texas Instruments Incorporated and its subsidiaries (TI) reserve the right to make corrections, modifications, enhancements, improvements, and other changes to its products and services at any time and to discontinue any product or service without notice. Customers should obtain the latest relevant information before placing orders and should verify that such information is current and complete. All products are sold subject to TI's terms and conditions of sale supplied at the time of order acknowledgment.

TI warrants performance of its hardware products to the specifications applicable at the time of sale in accordance with TI's standard warranty. Testing and other quality control techniques are used to the extent TI deems necessary to support this warranty. Except where mandated by government requirements, testing of all parameters of each product is not necessarily performed.

TI assumes no liability for applications assistance or customer product design. Customers are responsible for their products and applications using TI components. To minimize the risks associated with customer products and applications, customers should provide adequate design and operating safeguards.

TI does not warrant or represent that any license, either express or implied, is granted under any TI patent right, copyright, mask work right, or other TI intellectual property right relating to any combination, machine, or process in which TI products or services are used. Information published by TI regarding third-party products or services does not constitute a license from TI to use such products or services or a warranty or endorsement thereof. Use of such information may require a license from a third party under the patents or other intellectual property of the third party, or a license from TI under the patents or other intellectual property of TI.

Reproduction of TI information in TI data books or data sheets is permissible only if reproduction is without alteration and is accompanied by all associated warranties, conditions, limitations, and notices. Reproduction of this information with alteration is an unfair and deceptive business practice. TI is not responsible or liable for such altered documentation. Information of third parties may be subject to additional restrictions.

Resale of TI products or services with statements different from or beyond the parameters stated by TI for that product or service voids all express and any implied warranties for the associated TI product or service and is an unfair and deceptive business practice. TI is not responsible or liable for any such statements.

TI products are not authorized for use in safety-critical applications (such as life support) where a failure of the TI product would reasonably be expected to cause severe personal injury or death, unless officers of the parties have executed an agreement specifically governing such use. Buyers represent that they have all necessary expertise in the safety and regulatory ramifications of their applications, and acknowledge and agree that they are solely responsible for all legal, regulatory and safety-related requirements concerning their products and any use of TI products in such safety-critical applications, notwithstanding any applications-related information or support that may be provided by TI. Further, Buyers must fully indemnify TI and its representatives against any damages arising out of the use of TI products in such safety-critical applications.

TI products are neither designed nor intended for use in military/aerospace applications or environments unless the TI products are specifically designated by TI as military-grade or "enhanced plastic." Only products designated by TI as military-grade meet military specifications. Buyers acknowledge and agree that any such use of TI products which TI has not designated as military-grade is solely at the Buyer's risk, and that they are solely responsible for compliance with all legal and regulatory requirements in connection with such use.

TI products are neither designed nor intended for use in automotive applications or environments unless the specific TI products are designated by TI as compliant with ISO/TS 16949 requirements. Buyers acknowledge and agree that, if they use any non-designated products in automotive applications, TI will not be responsible for any failure to meet such requirements.

Following are URLs where you can obtain information on other Texas Instruments products and application solutions:

### Products

Audio	<a href="http://www.ti.com/audio">www.ti.com/audio</a>
Amplifiers	<a href="http://amplifier.ti.com">amplifier.ti.com</a>
Data Converters	<a href="http://dataconverter.ti.com">dataconverter.ti.com</a>
DLP® Products	<a href="http://www.dlp.com">www.dlp.com</a>
DSP	<a href="http://dsp.ti.com">dsp.ti.com</a>
Clocks and Timers	<a href="http://www.ti.com/clocks">www.ti.com/clocks</a>
Interface	<a href="http://interface.ti.com">interface.ti.com</a>
Logic	<a href="http://logic.ti.com">logic.ti.com</a>
Power Mgmt	<a href="http://power.ti.com">power.ti.com</a>
Microcontrollers	<a href="http://microcontroller.ti.com">microcontroller.ti.com</a>
RFID	<a href="http://www.ti-rfid.com">www.ti-rfid.com</a>
OMAP Mobile Processors	<a href="http://www.ti.com/omap">www.ti.com/omap</a>
Wireless Connectivity	<a href="http://www.ti.com/wirelessconnectivity">www.ti.com/wirelessconnectivity</a>

### Applications

Communications and Telecom	<a href="http://www.ti.com/communications">www.ti.com/communications</a>
Computers and Peripherals	<a href="http://www.ti.com/computers">www.ti.com/computers</a>
Consumer Electronics	<a href="http://www.ti.com/consumer-apps">www.ti.com/consumer-apps</a>
Energy and Lighting	<a href="http://www.ti.com/energy">www.ti.com/energy</a>
Industrial	<a href="http://www.ti.com/industrial">www.ti.com/industrial</a>
Medical	<a href="http://www.ti.com/medical">www.ti.com/medical</a>
Security	<a href="http://www.ti.com/security">www.ti.com/security</a>
Space, Avionics and Defense	<a href="http://www.ti.com/space-avionics-defense">www.ti.com/space-avionics-defense</a>
Transportation and Automotive	<a href="http://www.ti.com/automotive">www.ti.com/automotive</a>
Video and Imaging	<a href="http://www.ti.com/video">www.ti.com/video</a>

TI E2E Community Home Page

[e2e.ti.com](http://e2e.ti.com)

Mailing Address: Texas Instruments, Post Office Box 655303, Dallas, Texas 75265  
Copyright © 2011, Texas Instruments Incorporated