

DS1489/DS1489A Quad Line Receiver

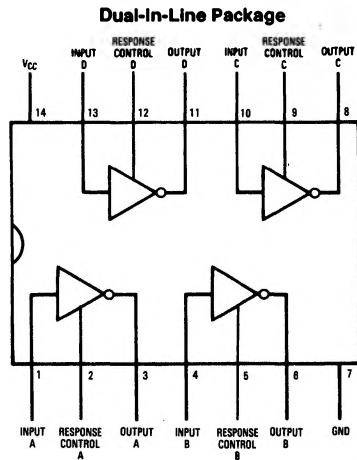
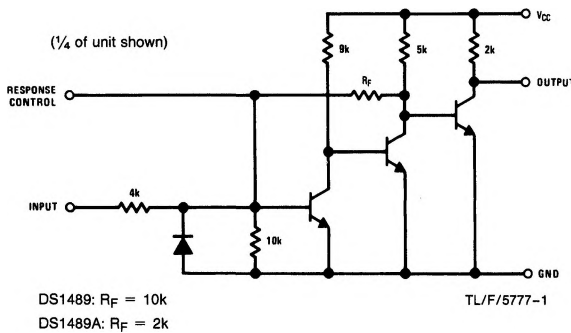
General Description

The DS1489/DS1489A are quad line receivers designed to interface data terminal equipment with data communications equipment. They are constructed on a single monolithic silicon chip. These devices satisfy the specifications of EIA Standard RS-232C. The DS1489/DS1489A meet and exceed the specifications of MC1489/MC1489A and are pin-for-pin replacements.

Features

- Four totally separate receivers per package
- Programmable threshold
- Built-in input threshold hysteresis
- "Fail safe" operating mode
- Inputs withstand $\pm 30V$

Schematic and Connection Diagrams



TL/F/5777-2

Top View

Order Number **DS1489J, DS1489AJ,**
DS1489M, DS1489AM, DS1489N or DS1489AN
See NS Package Number **J14A, M14A or N14A**

AC Test Circuit and Voltage Waveforms

