

LCD controller driver for dot matrix displays

BU97701/BU97702

The BU97701 and BU97702 are controller drivers used in dot matrix liquid crystal displays that display English-language characters, Japanese kana characters, and symbols. These products can be controlled by a 4-bit or an 8-bit MPU. All of the functions necessary to drive dot matrix displays are contained on a single chip, enabling liquid crystal displays to be configured with a small number of chips. These products are available in QFP-T80 (BU97701-00) and SQFP-T80 (BU97702-00) packages.

●Applications

Liquid crystal display systems for character displays

●Features

- 1) Can accommodate 5 × 7 and 5 × 10 dot matrix LCDs.
- 2) Equipped with an internal display data RAM of 80 × 8 bits; an expansion driver (BU9706KS) can be used to expand the display up to 80 characters.
- 3) Internal display data ROM of 12,000 bits
- 4) Diverse variety of functions includes display clear, cursor home, display on / off, display character blink, display shift, and others.

●Absolute maximum ratings (Ta=25°C)

Parameter	Symbol	Limits	Unit
Power supply voltage	V _{DD}	-0.3~+7.0	V
Power dissipation	BU97701	900*1	mW
	BU97702	800*2	
Operating temperature	T _{opr}	-20~+75	°C
Storage temperature	T _{stg}	-55~+125	°C

*1 Reduced by 8.0 mW for each increase in Ta of 1°C over 25°C. (QFP-T80).

*2 Reduced by 8.0 mW for each increase in Ta of 1°C over 25°C. (SQFP-T80).

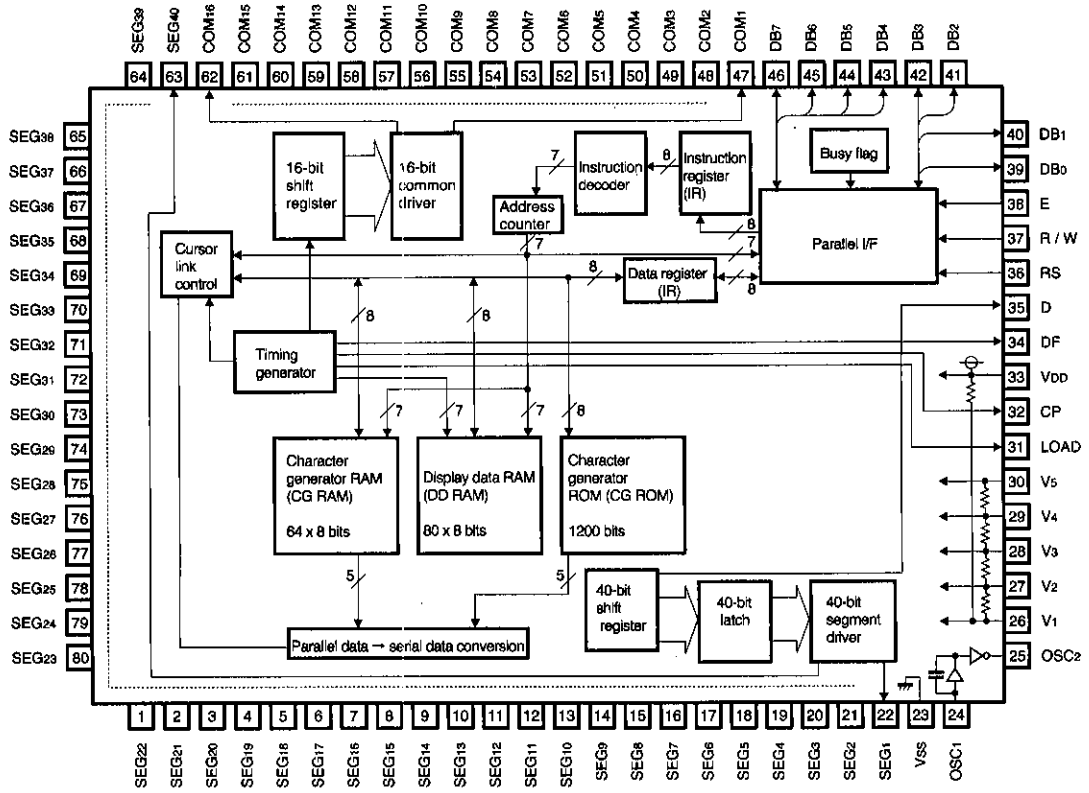
●Recommended operating conditions (Ta=25°C)

Parameter	Symbol	Min.	Typ.	Max.	Unit
Power supply voltage	V _{DD}	4.5	—	5.5	V

●Model name

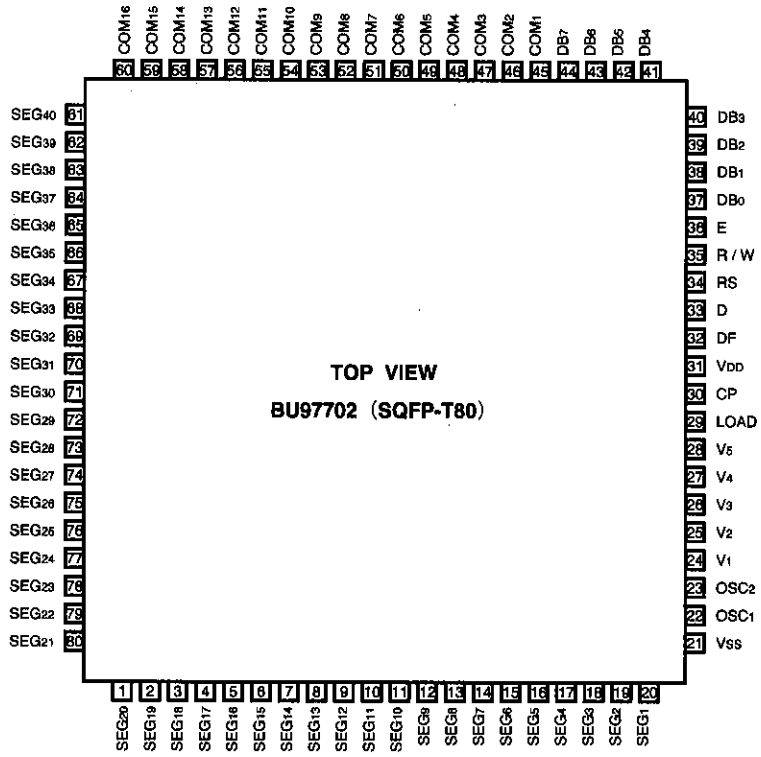
Model Number	Built-in font
BU97701-00/BU97702-00	ROM Ver.00
BU97701-01/BU97702-01	ROM Ver.01
BU97701-02/BU97702-02	ROM Ver.02

● Block diagram



BU97701 (QFP-T80)

● Pin layout



BU97702 (SQFP-T80)

LCD drivers (Single chip controller drivers)

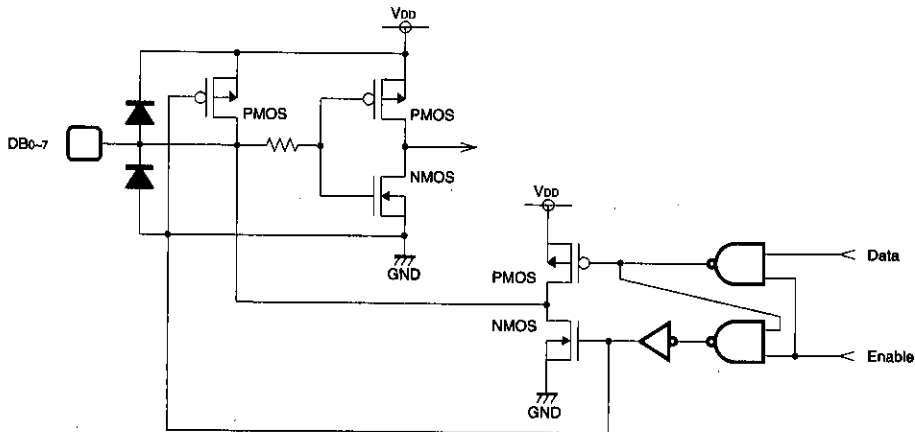
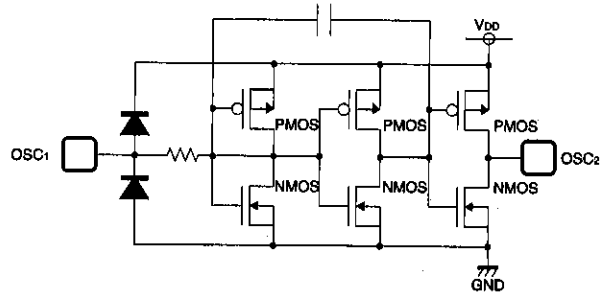
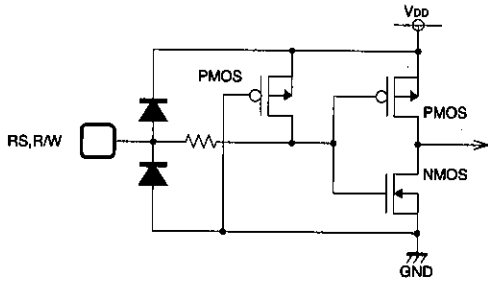
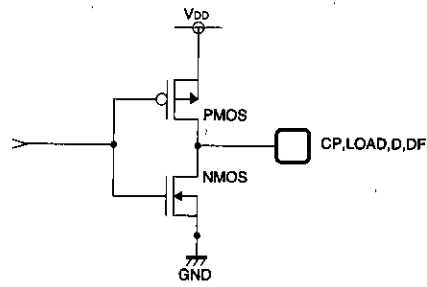
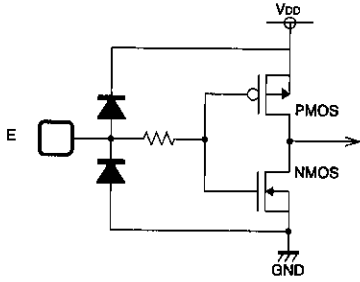
LCD drivers

● Pin descriptions

Pin No.	Pin Name	Function	
36 (34)	RS	Selects the register used to read/write instructions and data. If RS = 0 and R/W = 0: Instruction register If RS = 0 and R/W = 1: Busy flag and address counter If RS = 1: Data register	
37 (35)	R/W	Signal that selects the read or write operation. This sends and receives data between the BU97701-00 (BU97702-00) and host computer. R/W = 0: Write R/W = 1: Read	
38 (36)	E	Signal which enables reading/writing.	
39~42 (37~40)	DB ₀ ~DB ₃	Highest four bits of 3-state bi-directional bus. These send and receive data between the BU97701-00 (BU97702-00) and host MPU. These are not used with 4-bit operation.	
43~46 (41~44)	DB ₄ ~DB ₇	Lowest four bits of 3-state bi-directional bus. These send and receive data between the BU97701-00 (BU97702-00) and host MPU.	
31 (29)	LOAD	Signal output which latches the serial data of the external segment driver.	
32 (30)	CP	Signal output which shifts the serial data of the external segment driver.	
34 (32)	DF	AC signal output of the LCD drive waveform.	
35 (33)	D	Outputs the data corresponding to the character pattern to an external segment register. 0: OFF data 1: ON data	
47~62 (45~60)	COM ₁ ~COM ₁₆	Commons: these are common drive signals. At 1/8 duty, COM9 to COM16 are de-selected waveforms. At 1/11 duty, COM12 to COM16 are de-selected waveforms.	
22~1 (20~1) 80~63 (80~61)	SEG ₁ ~SEG ₄₀	Segments: segment drive signals.	
30 (28)	V _s	LCD power supply	These must satisfy the following relationship: $V_{DD} \geq V_1 \geq V_2 \geq V_3 \geq V_4 \geq V_5 \geq V_{SS}$
26~29 (24~27)	V ₁ ~V ₄	LCD power supply for external driver.	
33, 23 (31, 21)	V _{DD} , V _{SS}	Power supply pins; V _{DD} = 5.0 ± 10%, V _{SS} = 0 V	
24, 25 (22, 23)	OSC ₁ , OSC ₂	When the internal clock is operating, the resistance is connected to these pins. When an external clock is operating, the clock is input to OSC ₁ . (OSC ₂ is open.)	

* () The 97702 pin numbers are indicated within parentheses.

● Input/output circuits



LCD drivers (Single chip controller drivers)

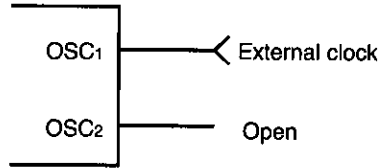
●Electrical characteristics (Unless otherwise noted, Ta=25°C, VDD=5V, VSS=0V)

Parameter	Symbol	Min.	Typ.	Max.	Unit	Conditions	Measurement Circuit
Input voltage 1 HIGH	V _{IH1}	0.8×V _{DD}	—	V _{DD}	V		Fig.1
Input voltage 1 LOW	V _{IL1}	0	—	0.2×V _{DD}	V		Fig.1
Input voltage 2 HIGH	V _{IH2}	2.2	—	—	V		Fig.1
Input voltage 2 LOW	V _{IL2}	—	—	0.8	V		Fig.1
Output voltage 1 HIGH	V _{OH1}	V _{DD} −0.3	—	—	V	I _{OH} =−0.625mA	Fig.1
Output voltage 1 LOW	V _{OL1}	—	—	0.3	V	I _{OL} =0.625mA	Fig.1
Output voltage 2 HIGH	V _{OH2}	2.4	—	—	V	I _{OH} =−1.2mA	Fig.1
Output voltage 2 LOW	V _{OL2}	—	—	0.4	V	I _{OL} =2.0mA	Fig.1
COM driver ON resistance	R _{COM}	—	—	20	kΩ	I _d =±50 μA	Fig.1
SEG driver ON resistance	R _{SEG}	—	—	30	kΩ	I _d =±50 μA	Fig.1
Input current 1	I _{IN1}	−1	—	1	μA	V _{IN} =0~V _{DD} Note 1	Fig.1
Input current 2	I _{IN2}	50	125	250	μA	V _{DD} =5V, V _{IN} =0V	Fig.1
Current consumption	I _{DD}	—	350	600	μA	Note 2	Fig.1
External clock operating frequency	f _{IN}	125	250	350	kHz	Note 3	—
External clock duty	f _{Duty}	45	50	55	%	Note 4	—
External clock rise time	t _r	—	—	200	ns	Note 5	—
External clock fall time	t _f	—	—	200	ns	Note 6	—
Internal clock oscillation frequency	f _{OSC}	190	270	350	kHz		Fig.2
Enable cycle time	t _{EC}	500	—	—	ns		Fig.2
Enable pulse width	t _{EP}	220	—	—	ns		Fig.2
Enable rise/fall times	t _{Er} , t _{Ef}	—	—	20	ns		Fig.2
Address setup time	t _{AS}	40	—	—	ns		Fig.2
Address hold time	t _{AH}	10	—	—	ns		Fig.2
Data setup time	t _{DS}	60	—	—	ns		Fig.2
Data hold time (writing)	t _{DH}	10	—	—	ns		Fig.2
Data delay time	t _{DD1}	—	—	250	ns		Fig.2
Data hold time (reading)	t _{OH}	20	—	—	ns		Fig.2
CP cycle time	t _{CC}	1800	—	—	ns		Fig.2
CP pulse time	t _{WH} , t _{WL}	800	—	—	ns		Fig.2
CP rise/fall times	t _{Cr} , t _{Cf}	—	—	100	ns		Fig.2
D delay time	t _{DD2}	—	—	100	ns		Fig.2
LOAD pulse width	t _{WCP}	800	—	—	ns		Fig.2
CP → LOAD time	t _{CL}	125	—	—	ns		Fig.2
LOAD → CP time	t _{LC}	0	—	—	ns		Fig.2
DF delay time	t _{DFD}	−100	—	100	ns		Fig.2

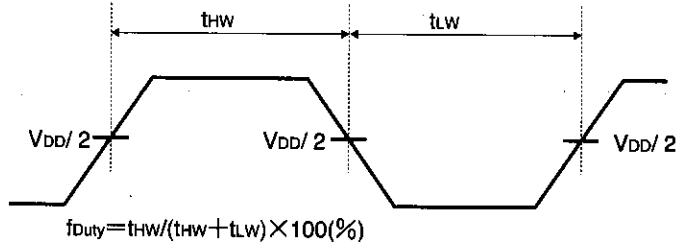
Note 1: Current does not include pull-up MOS current.

Note 2: External resistance oscillation or external clock input - . . . $V_{DD} = 5.0\text{ V}$, $f_{osc} = f_{cp} = 270\text{ kHz}$

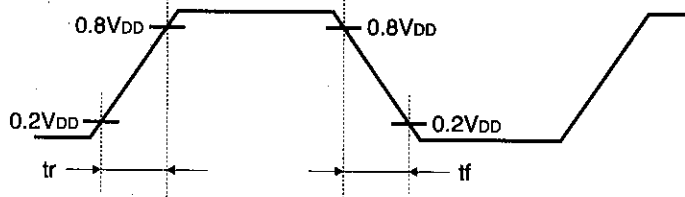
Note 3: External clock operating



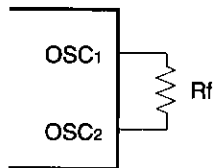
Note 4: Applies to OSC1 pin



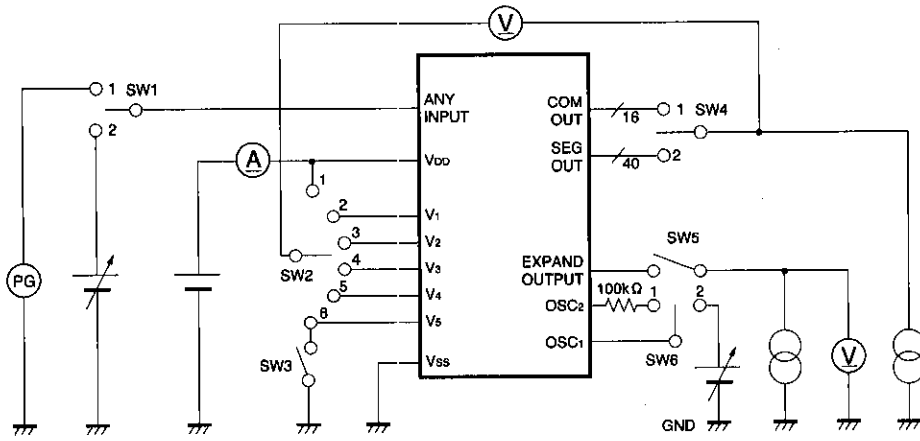
Note 5: Applies to OSC1 pin



Note 6: Internal oscillation caused by external resistance



● Measurement circuit



SW1	1: ON resistance, output voltage measurement	SW3	ON: ON resistance measurement
	2: Input voltage, input current measurement		OFF: Current consumption measurement
SW2	1: ON resistance (in relation to V _{DD}) measurement	SW4	1: ON resistance (COM output) measurement
	2: ON resistance (in relation to V ₁) measurement		2: ON resistance (COM output) measurement
	3: ON resistance (in relation to V ₂) measurement	SW5	ON: Output voltage measurement
	4: ON resistance (in relation to V ₃) measurement		OFF: Current consumption measurement
	5: ON resistance (in relation to V ₄) measurement	SW6	1: Current consumption, ON resistance measurement
	6: ON resistance (in relation to V ₅) measurement		2: Input voltage measurement

Fig. 1 DC characteristics measurement circuit

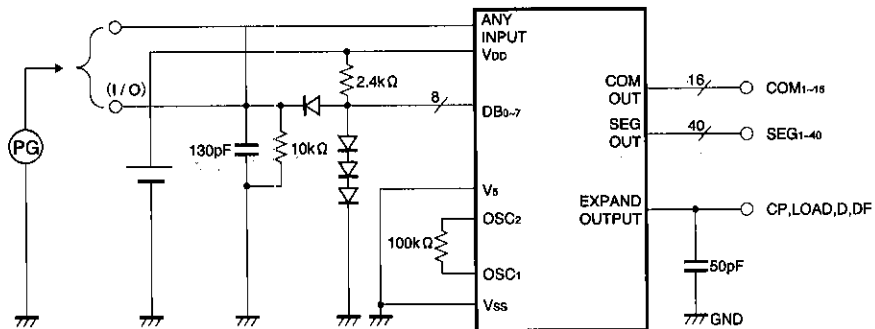


Fig. 2 Switching characteristics measurement circuit

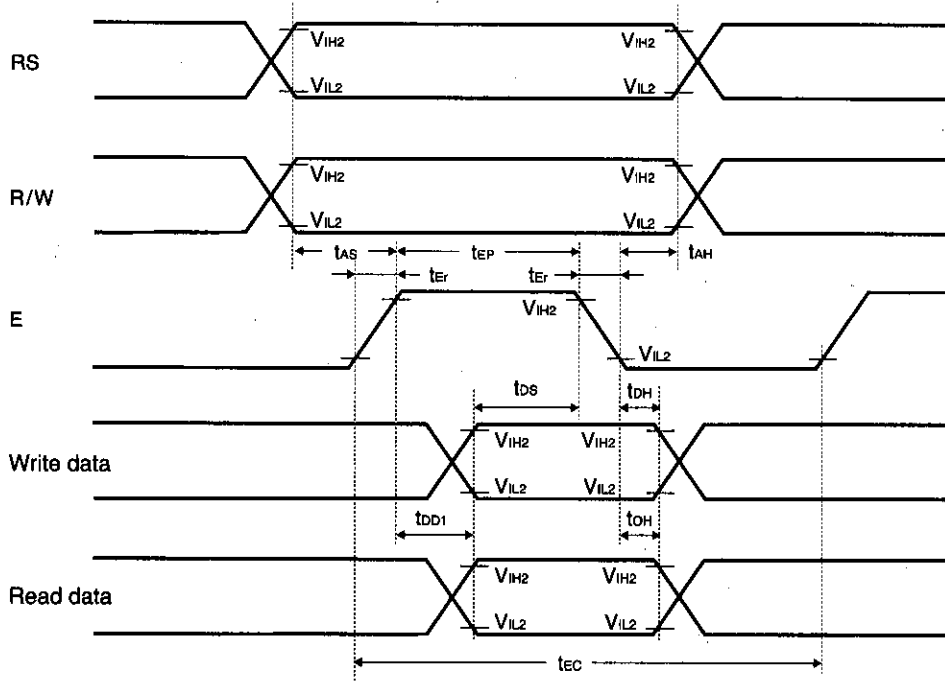


Fig. 3 Bus read/write timing

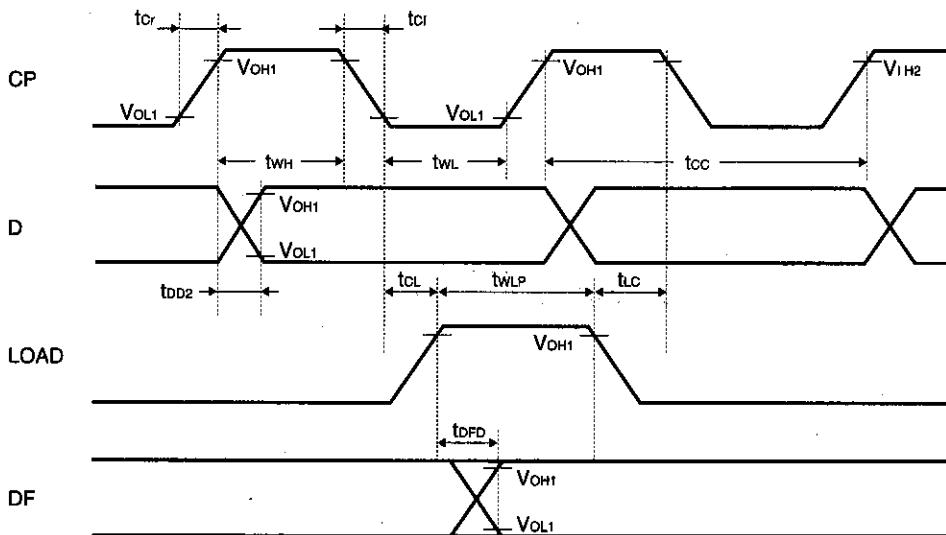


Fig. 4 Output to expansion driver

●Correspondence between character codes and character patterns

Rohm Standard : ROM Ver. 00

Upper bit Lower bit	0000	0001	0010	0011	0100	0101	0110	0111	1000	1001	1010	1011	1100	1101	1110	1111
XXXX0000	CGRAM (1)			Q	A	P	'	P				-	9	E	o	p
XXXX0001	(2)		!	1	Q	A	9				.	7	+	△	ä	q
XXXX0010	(3)		"	Z	R	r	r				r	4	u	x	p	o
XXXX0011	(4)		#	3	C	S	c	s			!	0	T	E	e	o
XXXX0100	(5)		\$	4	D	T	d	t			.	!	!	!	!	!
XXXX0101	(6)		%	5	F	U	u	u			.	!	!	!	!	!
XXXX0110	(7)		&	6	F	U	f	u			!	!	!	!	!	!
XXXX0111	(8)		'	7	B	W	w	w			!	!	!	!	!	!
XXXX1000	(1)		(8	H	X	h	x			!	!	!	!	!	!
XXXX1001	(2))	9	I	Y	i	y			!	!	!	!	!	!
XXXX1010	(3)		*	:	J	Z	j	z			!	!	!	!	!	!
XXXX1011	(4)		+	:	K	K	k	k			!	!	!	!	!	!
XXXX1100	(5)		,	<	L	#	l	l			!	!	!	!	!	!
XXXX1101	(6)		-	=	M	M	m	m			!	!	!	!	!	!
XXXX1110	(7)		.	>	N	^	n	^			!	!	!	!	!	!
XXXX1111	(8)		/	?	O	_	o	o			!	!	!	!	!	!

Rohm Standard : ROM Ver. 01

Upper bit Lower bit	0000	0001	0010	0011	0100	0101	0110	0111	1000	1001	1010	1011	1100	1101	1110	1111
XXXX0000	CGRAM (1)	A	B	C	D	E	F	G	H	I	J	K	L	M	N	O
XXXX0001	(2)	P	Q	R	S	T	U	V	W	X	Y	Z	[]	{	}
XXXX0010	(3)	~	^	_	`	a	b	c	d	e	f	g	h	i	j	k
XXXX0011	(4)	l	m	n	o	p	q	r	s	t	u	v	w	x	y	z
XXXX0100	(5)	{		~	^	_	~	^	_	~	^	_	~	^	_	~
XXXX0101	(6)	~	^	_	~	^	_	~	^	_	~	^	_	~	^	_
XXXX0110	(7)	~	^	_	~	^	_	~	^	_	~	^	_	~	^	_
XXXX0111	(8)	~	^	_	~	^	_	~	^	_	~	^	_	~	^	_
XXXX1000	(1)	~	^	_	~	^	_	~	^	_	~	^	_	~	^	_
XXXX1001	(2)	~	^	_	~	^	_	~	^	_	~	^	_	~	^	_
XXXX1010	(3)	~	^	_	~	^	_	~	^	_	~	^	_	~	^	_
XXXX1011	(4)	~	^	_	~	^	_	~	^	_	~	^	_	~	^	_
XXXX1100	(5)	~	^	_	~	^	_	~	^	_	~	^	_	~	^	_
XXXX1101	(6)	~	^	_	~	^	_	~	^	_	~	^	_	~	^	_
XXXX1110	(7)	~	^	_	~	^	_	~	^	_	~	^	_	~	^	_
XXXX1111	(8)	~	^	_	~	^	_	~	^	_	~	^	_	~	^	_

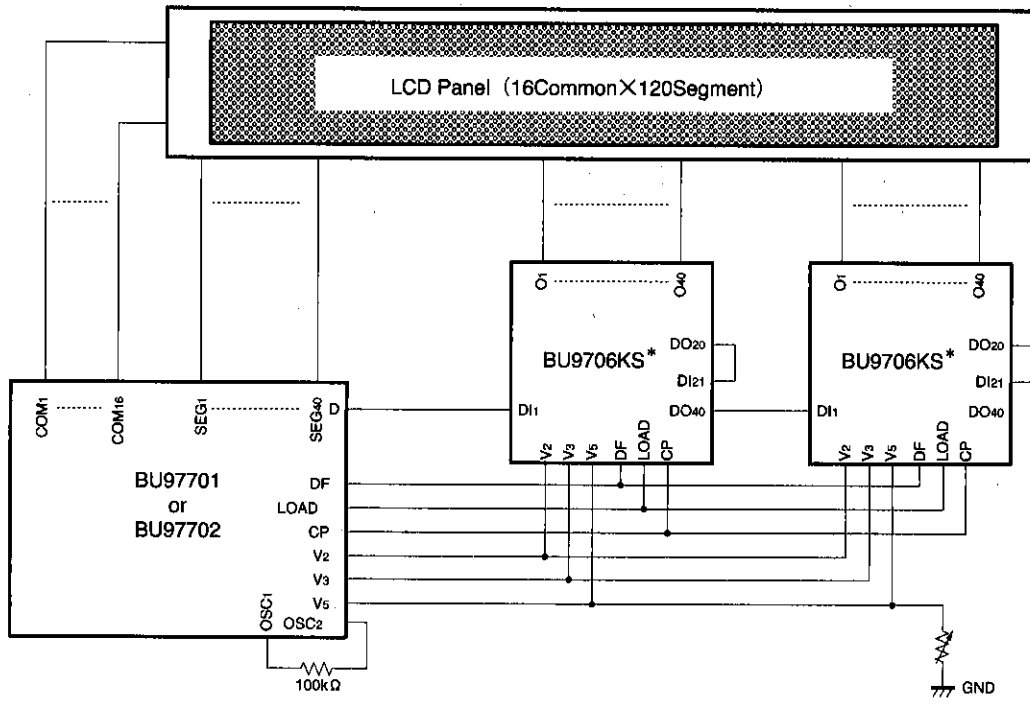
LCD drivers (Single chip controller drivers)

LCD drivers

Rohm Standard : ROM Ver. 02

Upper bit Lower bit	0000	0001	0010	0011	0100	0101	0110	0111	1000	1001	1010	1011	1100	1101	1110	1111
XXXX0000 CGRAM (1)																
XXXX0001 (2)																
XXXX0010 (3)																
XXXX0011 (4)																
XXXX0100 (5)																
XXXX0101 (6)																
XXXX0110 (7)																
XXXX0111 (8)																
XXXX1000 (1)																
XXXX1001 (2)																
XXXX1010 (3)																
XXXX1011 (4)																
XXXX1100 (5)																
XXXX1101 (6)																
XXXX1110 (7)																
XXXX1111 (8)																

● Application circuit



* The BU9706KS is a segment expansion LSI.

Fig. 5 Application circuit

● Electrical characteristic curves

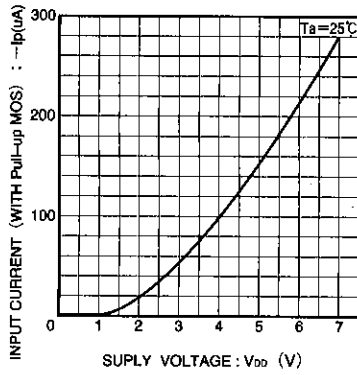


Fig. 6 Input current - power supply voltage characteristic

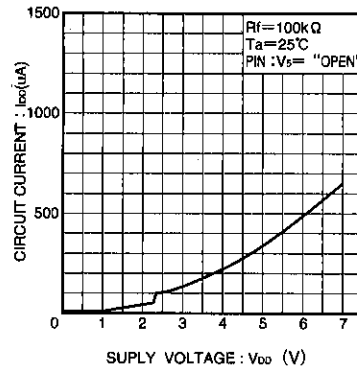
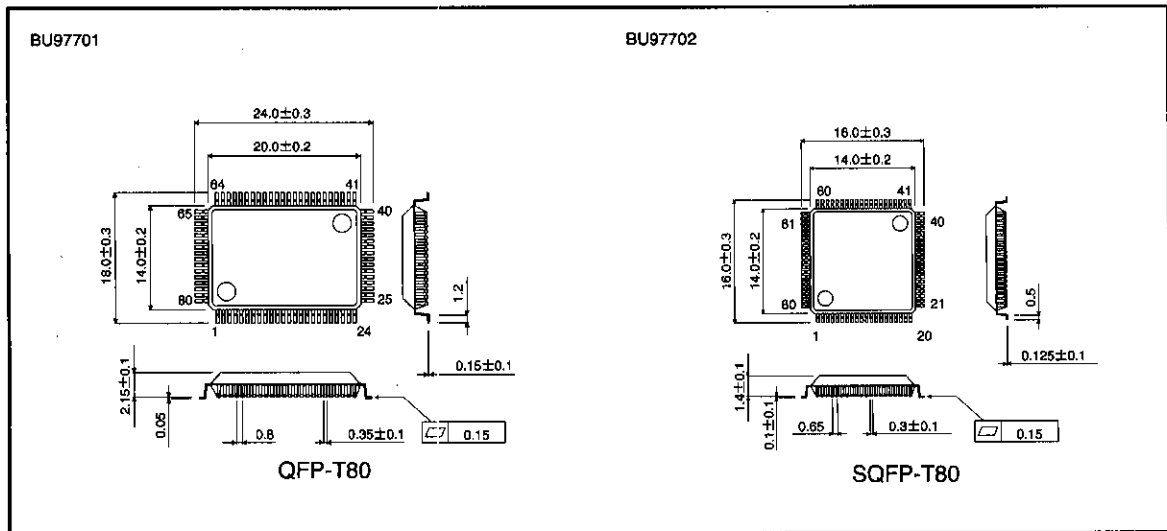


Fig. 7 Current consumption - power supply voltage characteristic

LCD drivers (Single chip controller drivers)

LCD drivers

● External dimensions (Units: mm)



Notes

- The contents described in this catalogue are correct as of March 1997.
- No unauthorized transmission or reproduction of this book, either in whole or in part, is permitted.
- The contents of this book are subject to change without notice. Always verify before use that the contents are the latest specifications. If, by any chance, a defect should arise in the equipment as a result of use without verification of the specifications, ROHM CO., LTD., can bear no responsibility whatsoever.
- Application circuit diagrams and circuit constants contained in this data book are shown as examples of standard use and operation. When designing for mass production, please pay careful attention to peripheral conditions.
- Any and all data, including, but not limited to application circuit diagrams, information, and various data, described in this catalogue are intended only as illustrations of such devices and not as the specifications for such devices. ROHM CO., LTD., disclaims any warranty that any use of such device shall be free from infringement of any third party's intellectual property rights or other proprietary rights, and further, assumes absolutely no liability in the event of any such infringement, or arising from or connected with or related to the use of such devices.
- Upon the sale of any such devices; other than for the buyer's right to use such devices itself, resell or otherwise dispose of the same; no express or implied right or license to practice or commercially exploit any intellectual property rights or other proprietary rights owned or controlled by ROHM CO., LTD., is granted to any such buyer.
- The products in this manual are manufactured with silicon as the main material.
- The products in this manual are not of radiation resistant design.

The products listed in this catalogue are designed to be used with ordinary electronic equipment or devices (such as audio-visual equipment, office-automation equipment, communications devices, electrical appliances, and electronic toys). Should you intend to use these products with equipment or devices which require an extremely high level of reliability and the malfunction of which would directly endanger human life (such as medical instruments, transportation equipment, aerospace machinery, nuclear-reactor controllers, fuel controllers, or other safety devices) please be sure to consult with our sales representatives in advance.

- Notes when exporting
 - It is essential to obtain export permission when exporting any of the above products when it falls under the category of strategic material (or labor) as determined by foreign exchange or foreign trade control laws.
 - Please be sure to consult with our sales representatives to ascertain whether any product is classified as a strategic material.