

Quad 2-input/2-output analog switch

BU9761FS/BU9761FV

The BU9761FS and BU9761FV are analog switches with four circuits each, two for input and two for output. Depending on the status of the SELECT pin, the two input signals can be switched to either of two output pins. In addition, the EN pin can be used to set the output status to high impedance.

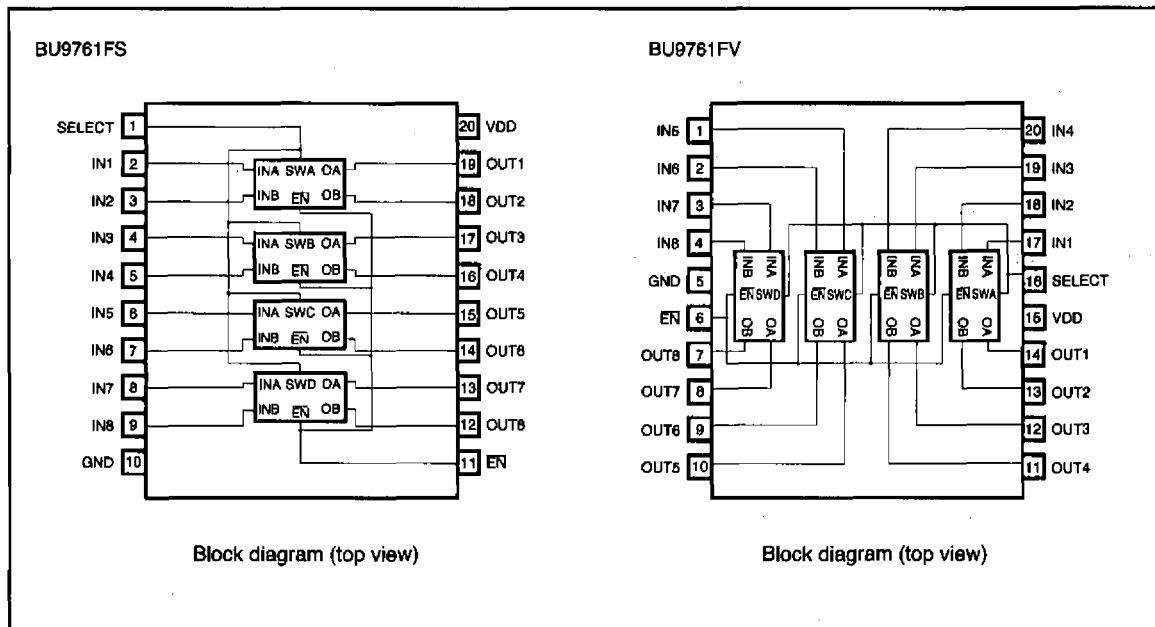
●Applications

Videos, movies, TVs, mini-component sets, radio cassette players, audio equipment, personal computers

●Features

- 1) Ultra-compact slim package. (SSOP-A20, SSOP-B20)
- 2) Low current consumption. (IQ = 1 μ A max.)
- 3) Equipped with Output Enable terminal.
- 4) Low switching ON resistance ($R_{ON} = 130\Omega$)
- 5) Low dispersion in switching ON resistance for the various channels. ($\Delta R_{ON} = 25\Omega$ max.)

●Block diagram



● Absolute maximum ratings (Ta=25°C)

Parameter	Symbol	Limits	Unit
Power supply voltage	V _{DD}	-0.3 ~ 7.0	V
Power dissipation	BU9761FS	600* ¹	mW
	BU9761FV	400* ²	
Operating temperature	T _{opr}	-25 ~ 75	°C
Storage temperature	T _{stg}	-50 ~ 150	°C

*¹ Reduced by 4.8mW for each increase in Ta of 1°C over 25°C.*² Reduced by 3.2mW for each increase in Ta of 1°C over 25°C.

● Recommended operating conditions (Ta=25°C)

Parameter	Symbol	Min.	Typ.	Max.	Unit
Power supply voltage	V _{DD}	4.0	5.0	6.0	V

● Pin truth table

• EN

$\overline{\text{EN}}$	H	L
OUT1~8	High - Z	Output Enable

• SELECT

H		L	
Input	Output	Input	Output
INA	OB	INA	OA
INB	OA	INB	OB

●DC characteristics (unless otherwise noted, Ta=25°C, V_{DD}=5V)

Parameter	Symbol	Min.	Typ.	Max.	Unit	Conditions	Measurement Circuit
High-level input voltage	V _{IH}	3.5	—	—	V	R _L =10kΩ	Fig.1
Low-level input voltage	V _{IL}	—	—	1.5	V	R _L =10kΩ	Fig.1
High-level input current	I _{IH}	—	—	0.3	μA	R _L =10kΩ	Fig.1
Low-level input current	I _{IL}	—	—	0.3	μA	R _L =10kΩ	Fig.1
ON resistance	R _{ON}	—	135	150	Ω	V _{IN} =V _{DD} /2, R _L =1kΩ	Fig.2
ON resistance deflection	ΔR _{ON}	—	12	25	Ω	V _{IN} =V _{DD} /2, R _L =1kΩ	Fig.2
OFF - channel leakage current	I _{off}	—	—	0.3 -0.3	μA	V _{IN} =5V, V _{OUT} =0V V _{IN} =0V, V _{OUT} =5V	Fig.3
Quiescent current	I _Q	—	—	1.0	μA	V _{IN} =GND	—

●AC characteristics (unless otherwise noted, Ta=25°C, V_{DD}=5V, C_L=50pF, R_L=10kΩ)

Parameter	Symbol	Min.	Typ.	Max.	Unit	Conditions		Measurement Circuit
						V _{DD} (V)		
Propagation delay time IN to OUT	t _{PLH1}	—	40	—	ns	5	Output "L"→Output "H"	Fig.4
	t _{PHL1}	—	40	—	ns	5	Output "H"→Output "L"	
Propagation delay time SELECT to OUT	t _{PLH2}	—	50	—	ns	5	Output "L"→Output "H"	Fig.5
	t _{PHL2}	—	40	—	ns	5	Output "H"→Output "L"	
Output Enable time	t _{PHZ}	—	200	—	ns	5	Output "H"→Output "High Z"	Fig.6 Fig.7
	t _{P LZ}	—	200	—	ns	5	Output "L"→Output "High Z"	
Output Disable time	t _{PZH}	—	50	—	ns	5	Output "High Z"→Output "H"	Fig.6 Fig.7
	t _{PZL}	—	50	—	ns	5	Output "High Z"→Output "L"	
Input capacitance (control input)	C _C	—	35	—	pF	5	f=1MHz	—
Input capacitance (switch input)	C _S	—	65	—	pF	5	f=1MHz	—
Sine wave distortion (T.H.D.)	D	—	0.06	—	%	5	V _{IN} =2.5V _{P-P} , f=1kHz	Fig.8
Max. propagation frequency	f _{max}	—	1.15	—	MHz	5	V _{IN} =2.5V _{P-P}	Fig.8
Feedthrough attenuation	FT	—	-70	—	dB	5	V _{IN} =2.5V _{P-P} , f=10kHz	Fig.9
Crosstalk (control/switch)	CT _C	—	620	—	mV _{P-P}	5	f=10kHz	Fig.10
Crosstalk between channels	CT	—	-50	—	dB	5	V _{IN} =2.5V _{P-P} , f=10kHz	Fig.11

● Measurement circuits

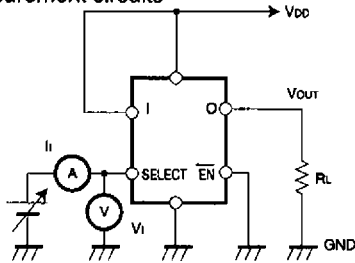


Fig. 1 Input voltage, current

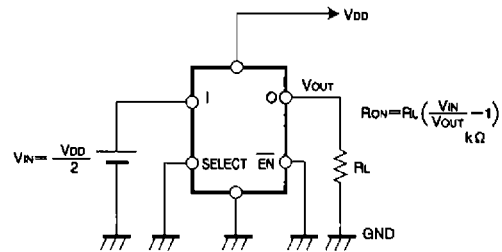


Fig. 2 ON resistance, ON resistance deviation

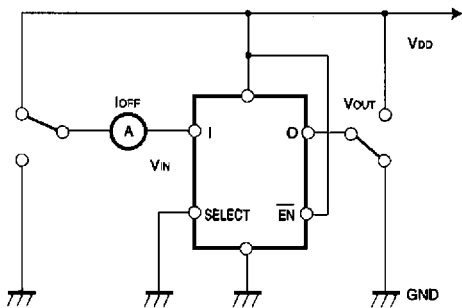


Fig. 3 OFF - channel leakage current

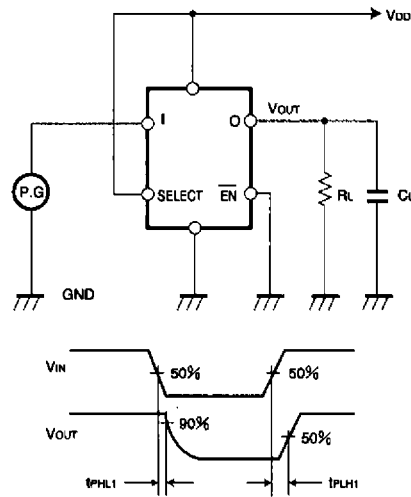


Fig. 4 Propagation delay time (IN to OUT)

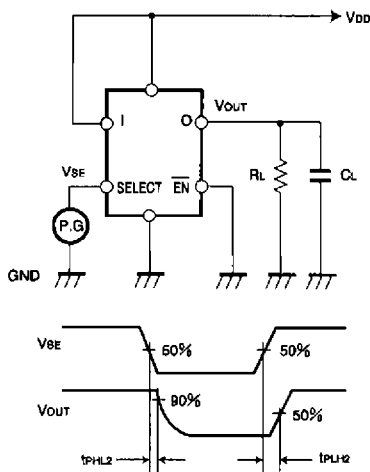


Fig. 5 Propagation delay time (SELECT to OUT)

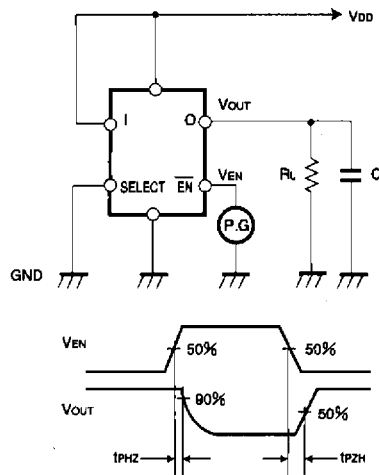


Fig. 6 Output Enable, Disable time 1

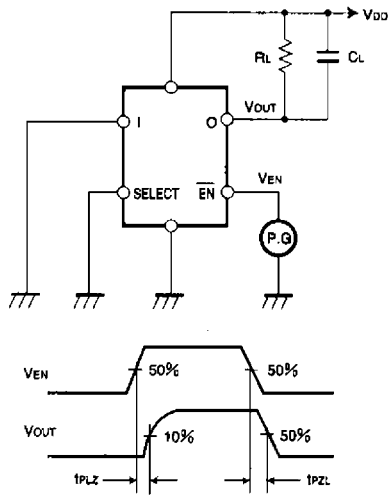


Fig. 7 Output Enable, Disable time 2

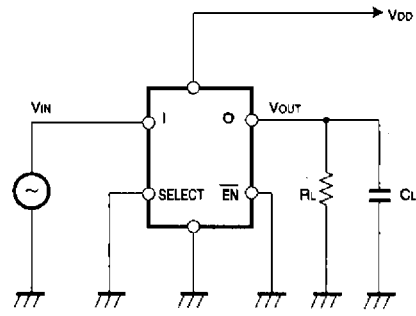


Fig. 8 Sine wave distortion, maximum propagation frequency

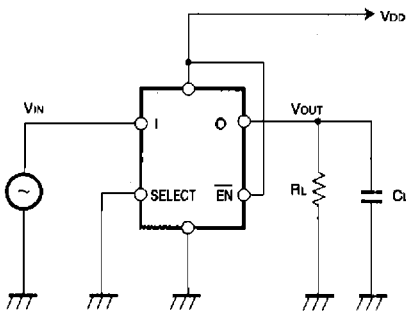


Fig. 9 Feedthrough attenuation

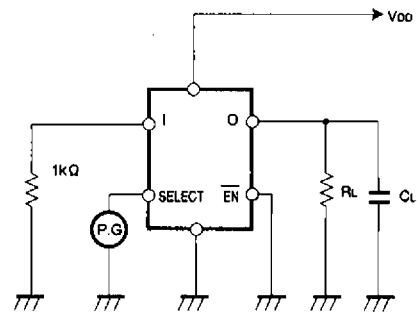


Fig. 10 Crosstalk (between control switches)

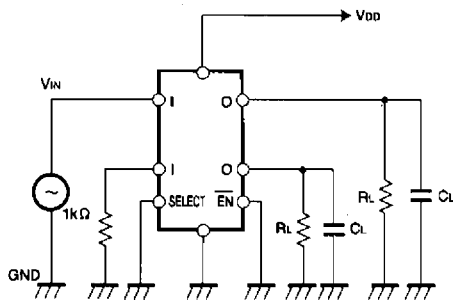


Fig. 11 Crosstalk

● Electrical characteristic curve

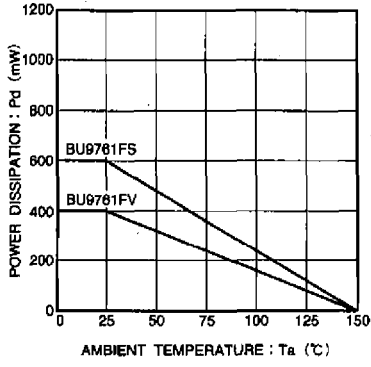
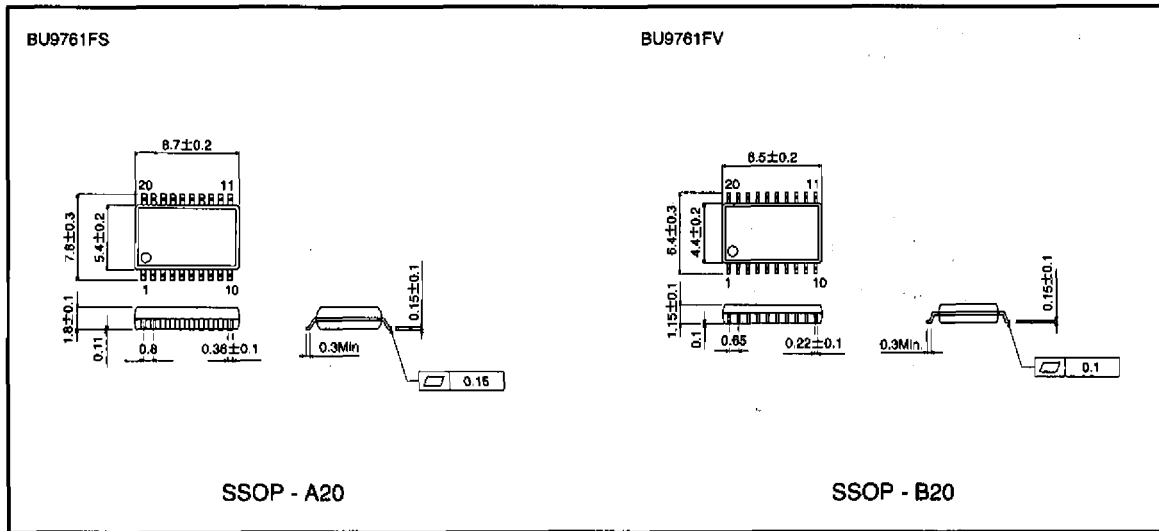


Fig. 12 Power dissipation - ambient temperature

● External dimensions (Units: mm)



Standard analog switches

CMOS logic

Series Standard

BU4000B

The BU4000 Series are CMOS ICs featuring low voltage and low power consumption. The wide range of operating power supply voltages is compatible with the general-purpose 4000B Series, and when a 5V power supply voltage is used, the LS-TTL IC can be driven directly.

These ICs are available in SOP and SSOP packages as well as the standard DIP package.

●Features

- 1) Low power consumption.
- 2) Wide range of operating power supply voltages.
- 3) High input impedance.
- 4) High fan-out.
- 5) Direct drive of 2 L-TTL inputs and 1 LS-TTL input.

●Absolute maximum ratings (Ta = 25°C)

Parameter	Symbol	Limits	Unit
Power supply voltage	V _{DD}	18 *1	V
Input voltage	V _{IN}	-0.3~V _{DD} +0.3	V
Power dissipation *2	P _d	Please refer to specifications for individual package	mW
Storage temperature	T _{stg}	-55~150	°C

*1 For the BU4XXXBC type, V_{DD} = 20 V.

*2 The values for the SOP and SSOP packages are the values when mounted on a glass epoxy PCB (50 mm x 50 mm x 1.6 mm).

●Recommended operating conditions (Ta = 25°C)

Parameter	Symbol	Limits	Unit
Power supply voltage	V _{DD}	3~16 *	V
Input voltage	V _{IN}	0~V _{DD}	V
Operating temperature	T _{opr}	-40~85	°C

* For the BU4XXXBC type, V_{DD} = 3 to 18 V.

●Electrical characteristic curves

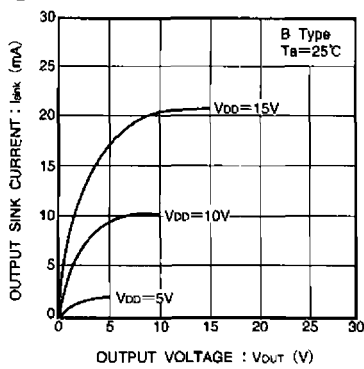


Fig.1 Output sink current - output voltage characteristic

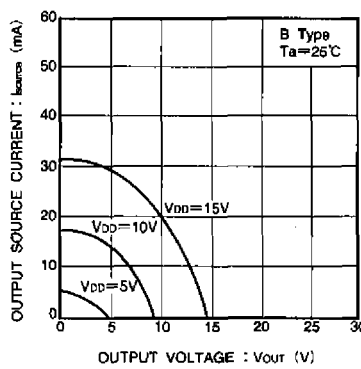


Fig.2 Output source current - output voltage characteristic

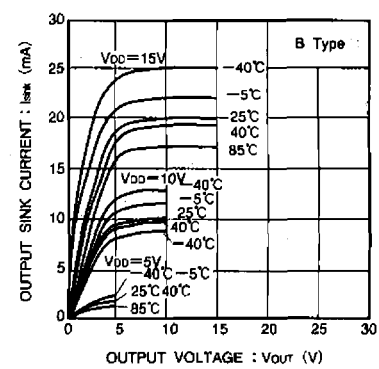


Fig.3 Output SINK current - output voltage characteristic

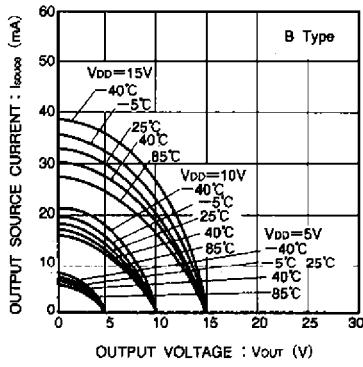


Fig.4 Output source current - output voltage characteristic

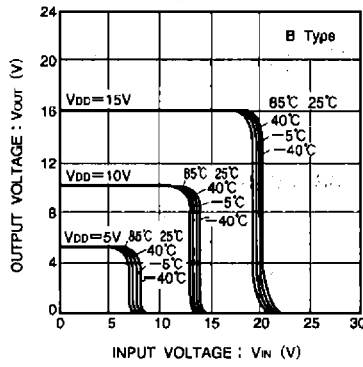


Fig.5 Output voltage - input voltage characteristic

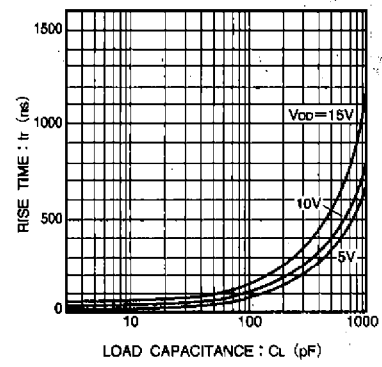


Fig.6 Rise time - load capacitance characteristic

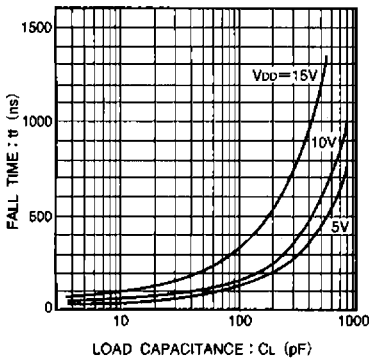


Fig.7 Fall time - load capacitance characteristic

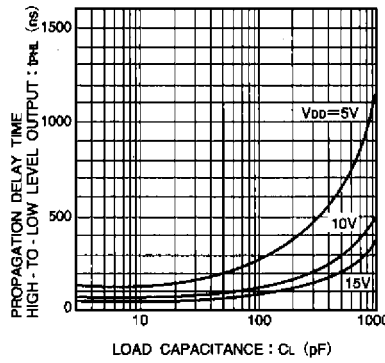


Fig.8 "H" to "L" propagation delay time - load capacitance characteristic

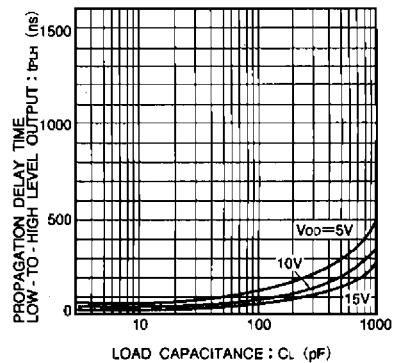


Fig.9 "L" to "H" propagation delay time - load capacitance characteristic

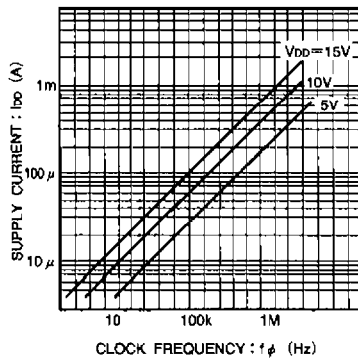


Fig.10 Supply current - clock frequency characteristic

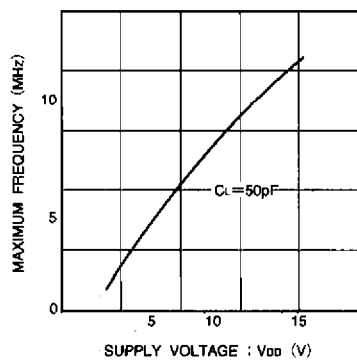


Fig.11 Maximum clock frequency - power supply voltage characteristic

Notes

- The contents described in this catalogue are correct as of March 1997.
- No unauthorized transmission or reproduction of this book, either in whole or in part, is permitted.
- The contents of this book are subject to change without notice. Always verify before use that the contents are the latest specifications. If, by any chance, a defect should arise in the equipment as a result of use without verification of the specifications, ROHM CO., LTD., can bear no responsibility whatsoever.
- Application circuit diagrams and circuit constants contained in this data book are shown as examples of standard use and operation. When designing for mass production, please pay careful attention to peripheral conditions.
- Any and all data, including, but not limited to application circuit diagrams, information, and various data, described in this catalogue are intended only as illustrations of such devices and not as the specifications for such devices. ROHM CO., LTD., disclaims any warranty that any use of such device shall be free from infringement of any third party's intellectual property rights or other proprietary rights, and further, assumes absolutely no liability in the event of any such infringement, or arising from or connected with or related to the use of such devices.
- Upon the sale of any such devices; other than for the buyer's right to use such devices itself, resell or otherwise dispose of the same; no express or implied right or license to practice or commercially exploit any intellectual property rights or other proprietary rights owned or controlled by ROHM CO., LTD., is granted to any such buyer.
- The products in this manual are manufactured with silicon as the main material.
- The products in this manual are not of radiation resistant design.

The products listed in this catalogue are designed to be used with ordinary electronic equipment or devices (such as audio-visual equipment, office-automation equipment, communications devices, electrical appliances, and electronic toys). Should you intend to use these products with equipment or devices which require an extremely high level of reliability and the malfunction of which would directly endanger human life (such as medical instruments, transportation equipment, aerospace machinery, nuclear-reactor controllers, fuel controllers, or other safety devices) please be sure to consult with our sales representatives in advance.

- Notes when exporting
 - It is essential to obtain export permission when exporting any of the above products when it falls under the category of strategic material (or labor) as determined by foreign exchange or foreign trade control laws.
 - Please be sure to consult with our sales representatives to ascertain whether any product is classified as a strategic material.