

3-channel, 8-bit D/A converter

BU3616K

The BU3616K, a CMOS IC, is a high-speed, low-power-consumption 3-channel 8-bit D/A converter. Its internal reference voltage source eliminates the need for an external reference voltage source.

●Applications

Video CDs, CD-V, CD karaoke

●Features

- 1) 8-bit resolution.
- 2) Current output.
- 3) Low power consumption (typically 75mW).
- 4) High-speed operation.
- 5) Internal reference voltage circuit.
- 6) TTL input.

●Absolute maximum ratings (Ta=25°C)

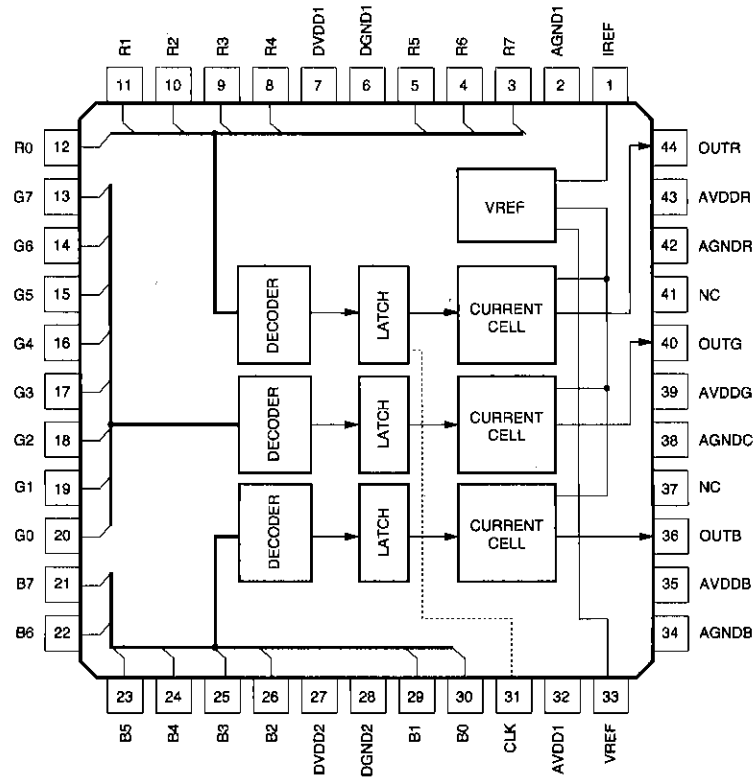
Parameter	Symbol	Limits	Unit
Power supply voltage	DV _{DD}	-0.5~7.0	V
Analog power supply voltage	AV _{DD}	DV _{DD} -0.3~DV _{DD} +0.3	V
Input voltage	V _{IN}	-0.5~DV _{DD} +0.5	V
Output voltage	V _{OUT}	-0.5~DV _{DD} +0.5	V
Storage temperature	T _{stg}	-55~125	°C
Power dissipation	P _D	500	mW

* 1 Reduced by 5.0 mW for each increase in Ta of 1°C over 25°C.

●Recommended operating conditions

Parameter	Symbol	Min.	Typ.	Max.	Unit	Conditions
Power supply voltage	DV _{DD}	4.5	5.0	5.5	V	
Analog power supply voltage	AV _{DD}	4.5	5.0	5.5	V	
Transfer clock width	TCK	58.8	—	—	nS	
Transfer clock width, low level	TCKL	15	—	—	nS	
RGB setup time	TS	5	—	—	nS	
RGB hold time	TH	10	—	—	nS	
Input voltage, low level	V _{IL}	—	—	0.8	V	
Input voltage, high level	V _{IH}	2.2	—	—	V	
Operating temperature	T _{OPR}	-10	—	70	°C	

●Block diagram



Video signal D/A converter

Multimedia video

●Electrical characteristics (unless otherwise noted, $T_a=25^\circ\text{C}$, $DV_{DD}=5.0\text{V}$, $AV_{DD}=5.0\text{V}$, $R_{REF}=6.8\text{k}\Omega$, $R_L=470\Omega$, $F_{CK}=15\text{MHz}$)

Parameter	Symbol	Min.	Typ.	Max.	Unit	Conditions
Current consumption	I_{CC}	—	15	30	mA	
Differential linearity error	ED	-0.5	—	0.5	LSB	$DV_{DD}=5.0\text{V}$ $AV_{DD}=5.0\text{V}$
Linearity error	EL	-1.0	—	1.0	LSB	$R_{REF}=6.8\text{k}\Omega$ $R_L=470\Omega$
Full-scale voltage	FS	1.29	1.44	1.58	V	$F_{CK}=15\text{MHz}$
RGB output voltage ratio	F_{SCR}	0	0.5	5.0	%	
Output delay time	T_o	—	30	—	nS	$C_L=15\text{pF}$
Settling time	T_{SET}	—	40	—	nS	$C_L=15\text{pF}$

●Pin description

Pin No.	I/O	Pin name	Function
1	—	IREF	Output current adjustment resistor connection, VREF output
2	—	AGND 1	Analog ground
3	I	R7	RED data input (bit 7, MSB)
4	I	R6	RED data input (bit 6)
5	I	R5	RED data input (bit 5)
6	—	DGND 1	Digital ground 1
7	—	DVDD 1	Digital power supply 1
8	I	R4	RED data input (bit 4)
9	I	R3	RED data input (bit 3)
10	I	R2	RED data input (bit 2)
11	I	R1	RED data input (bit 1)
12	I	R0	RED data input (bit 0, LSB)
13	I	G7	GREEN data input (bit 7, MSB)
14	I	G6	GREEN data input (bit 6)
15	I	G5	GREEN data input (bit 5)
16	I	G4	GREEN data input (bit 4)
17	I	G3	GREEN data input (bit 3)
18	I	G2	GREEN data input (bit 2)
19	I	G1	GREEN data input (bit 1)
20	I	G0	GREEN data input (bit 0, LSB)
21	I	B7	BLUE data input (bit 7, MSB)
22	I	B6	BLUE data input (bit 6)
23	I	B5	BLUE data input (bit 5)
24	I	B4	BLUE data input (bit 4)
25	I	B3	BLUE data input (bit 3)
26	I	B2	BLUE data input (bit 2)
27	—	DVDD 2	Digital power supply 2
28	—	DGND 2	Digital ground 2
29	I	B1	BLUE data input (bit 1)
30	I	B0	BLUE data input (bit 0, LSB)
31	I	CLK	System lock
32	—	AVDD 2	Analog power supply 2
33	O	VREF	Attached capacitance-adding pin (C= 0.1 μ F)
34	—	AGNDB	Analog ground B
35	—	AVDDB	Analog power supply B
36	O	OUTB	BLUE output
37	—	NC	
38	—	AGNDG	Analog ground G
39	—	AVDDG	Analog power supply G
40	O	OUTG	GREEN output
41	—	NC	
42	—	AGNDR	Analog ground R
43	—	AVDDR	Analog power supply R
44	O	OUTR	RED output

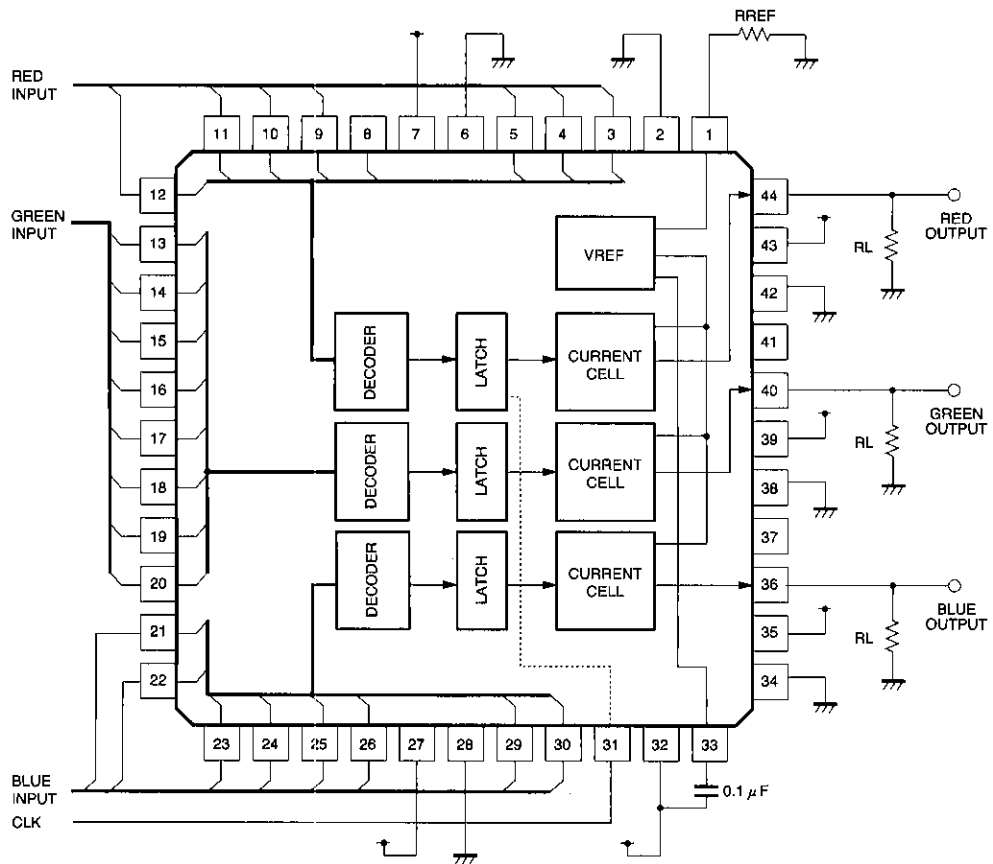
● Input/output circuits

Pin No.	Pin name	Equivalent circuit
3~5 8~26 29~31	R0~R7, G0~G7 B0~B7, CLK	
36, 40, 44	OUTR, OUTG OUTB	
1, 33	IREF, VREF	

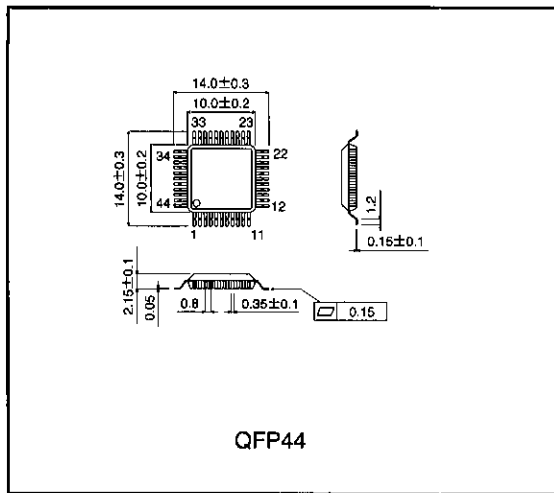
Video signal D/A converter

Multimedia video

● Application circuit



● External dimensions (Units: mm)



Notes

- The contents described in this catalogue are correct as of March 1997.
- No unauthorized transmission or reproduction of this book, either in whole or in part, is permitted.
- The contents of this book are subject to change without notice. Always verify before use that the contents are the latest specifications. If, by any chance, a defect should arise in the equipment as a result of use without verification of the specifications, ROHM CO., LTD., can bear no responsibility whatsoever.
- Application circuit diagrams and circuit constants contained in this data book are shown as examples of standard use and operation. When designing for mass production, please pay careful attention to peripheral conditions.
- Any and all data, including, but not limited to application circuit diagrams, information, and various data, described in this catalogue are intended only as illustrations of such devices and not as the specifications for such devices. ROHM CO., LTD., disclaims any warranty that any use of such device shall be free from infringement of any third party's intellectual property rights or other proprietary rights, and further, assumes absolutely no liability in the event of any such infringement, or arising from or connected with or related to the use of such devices.
- Upon the sale of any such devices; other than for the buyer's right to use such devices itself, resell or otherwise dispose of the same; no express or implied right or license to practice or commercially exploit any intellectual property rights or other proprietary rights owned or controlled by ROHM CO., LTD., is granted to any such buyer.
- The products in this manual are manufactured with silicon as the main material.
- The products in this manual are not of radiation resistant design.

The products listed in this catalogue are designed to be used with ordinary electronic equipment or devices (such as audio-visual equipment, office-automation equipment, communications devices, electrical appliances, and electronic toys). Should you intend to use these products with equipment or devices which require an extremely high level of reliability and the malfunction of which would directly endanger human life (such as medical instruments, transportation equipment, aerospace machinery, nuclear-reactor controllers, fuel controllers, or other safety devices) please be sure to consult with our sales representatives in advance.

- Notes when exporting

- It is essential to obtain export permission when exporting any of the above products when it falls under the category of strategic material (or labor) as determined by foreign exchange or foreign trade control laws.
- Please be sure to consult with our sales representatives to ascertain whether any product is classified as a strategic material.