

# Band-pass filter for spectrum analyzer

## BA3834S / BA3834F

The BA3834S and BA3834F are 7-band, band-pass filter ICs that use microprocessor time division to produce serial output for spectrum analyzer displays. To minimize the number of external components required and enable compact and reliable designs, all of the capacitors for the filters are on the chip.

### ● Applications

CD radio cassette players, mini-component stereo systems, car stereos

### ● Features

- 1) Seven band-pass filter elements for spectrum analyzer displays.
- 2) High-speed readout (output response time : 5  $\mu$  sec. typ.).
- 3) Discharge time constant circuit for each band is on the chip.
- 4) Differential input amplifier rejects common-mode noise.
- 5) Single 5V power supply.

### ● Absolute maximum ratings (Ta = 25°C)

Parameter	Symbol	Limits	Unit
Supply voltage	V <sub>CC</sub>	7	V
Power dissipation	BA3834S	600*1	mW
	BA3834F	450*2	
Operating temperature	T <sub>opr</sub>	-25~75	°C
Storage temperature	T <sub>stg</sub>	-55~125	°C

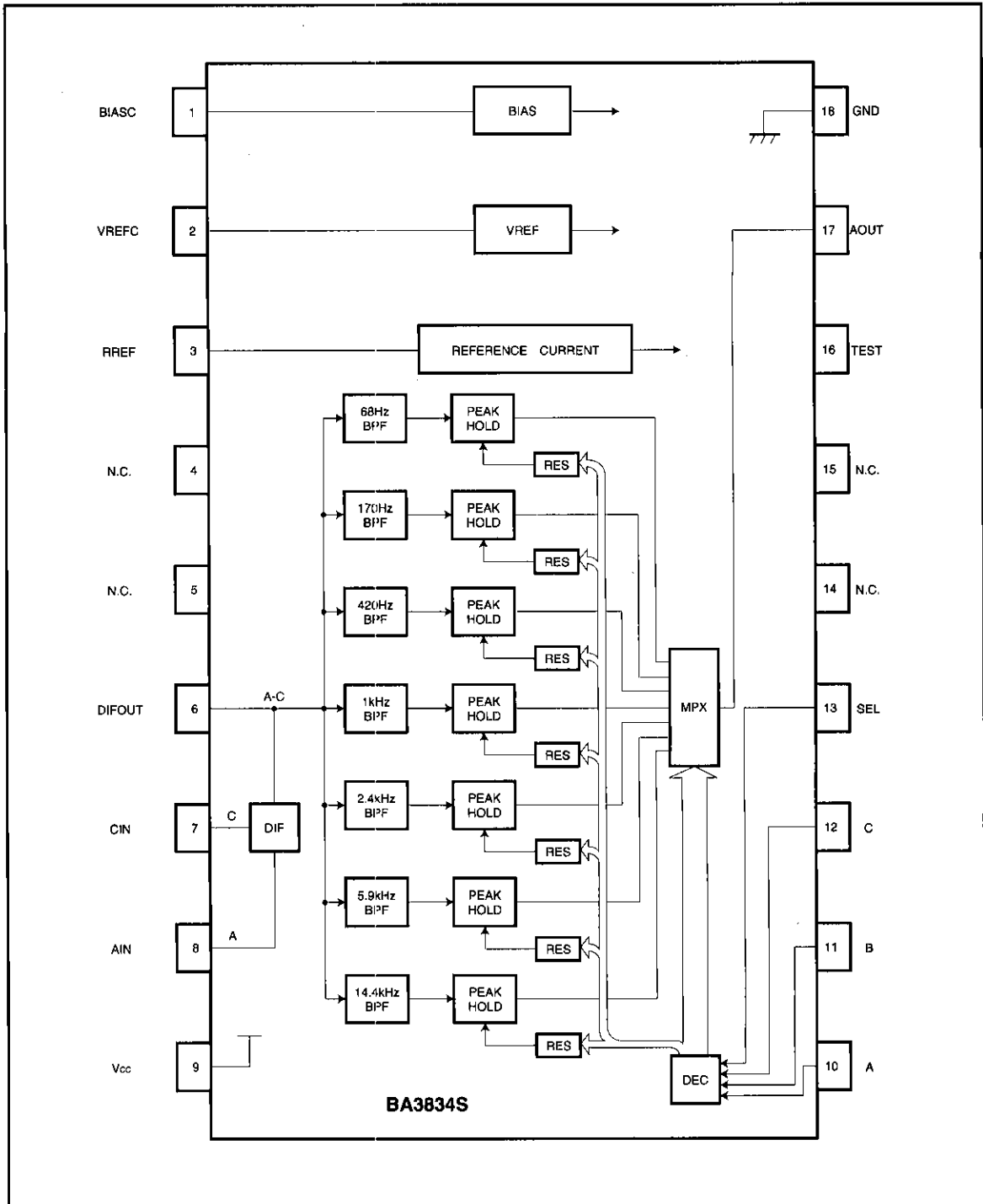
\* 1 Reduced by 6mW for each increase in Ta of 1°C over 25°C.

\* 2 Reduced by 4.5mW for each increase in Ta of 1°C over 25°C.

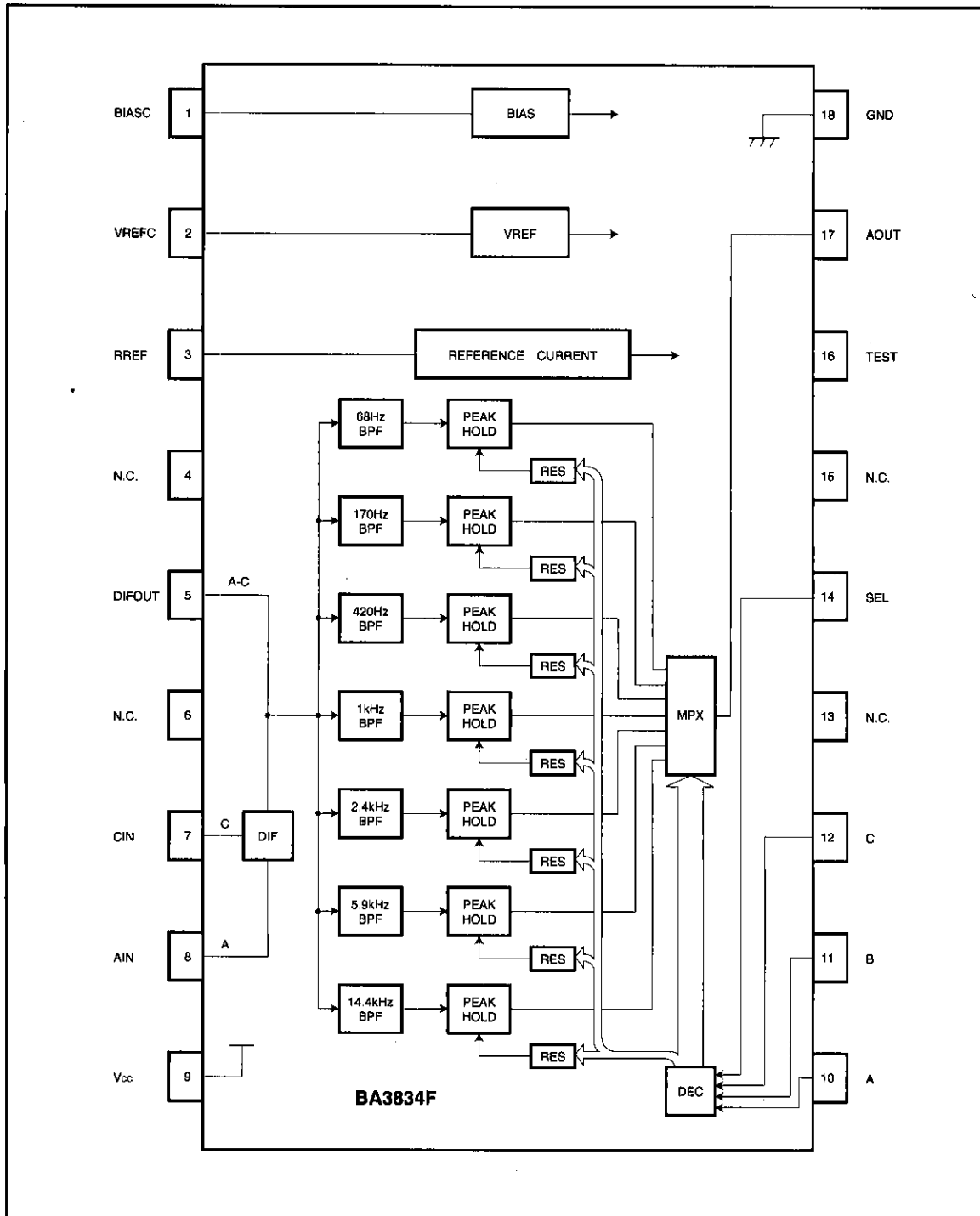
### ● Recommended operating conditions (Ta = 25°C)

Parameter	Symbol	Min.	Typ.	Max.	Unit
Supply voltage	V <sub>CC</sub>	4.5	5.0	6.5	V

●Block diagram 1 (BA3834S)



●Block diagram 2 (BA3834F)



Audio accessory components  Band-pass filters for spectrum analyzer

- Electrical characteristics (Unless otherwise specified,  $T_a = 25^\circ\text{C}$ ,  $V_{CC} = 5\text{V}$ ,  $R_L = 10\text{M}\Omega$ ,  $V_{\text{AIN}} = -30\text{dBV}$  and  $\text{SEL} = 1$ )

Parameter	Symbol	Min.	Typ.	Max.	Unit	Conditions
Circuit current	$I_{CC}$	—	10	15	mA	$V_{\text{AIN}}=0\text{V}$ , A, B, C, SEL=0
Maximum output level	$V_{OM}$	4.0	4.8	—	V	$V_{\text{AIN}}=-14\text{dBV}$ , Measured at each output
Output offset voltage	$V_{OS}$	—	30	150	mV	$V_{\text{AIN}}=0\text{V}$ , SEL=0/1, Measured at each output
Standard output level 1	$V_{O1}$	0.65	1.35	1.70	V	$f_{\text{IN}}=68\text{Hz}$ , A=0, B=0, C=1
Standard output level 2	$V_{O2}$	0.65	1.35	1.70	V	$f_{\text{IN}}=170\text{Hz}$ , A=0, B=1, C=0
Standard output level 3	$V_{O3}$	0.65	1.35	1.70	V	$f_{\text{IN}}=420\text{Hz}$ , A=0, B=1, C=1
Standard output level 4	$V_{O4}$	0.65	1.35	1.70	V	$f_{\text{IN}}=1\text{kHz}$ , A=1, B=0, C=0
Standard output level 5	$V_{O5}$	0.65	1.35	1.70	V	$f_{\text{IN}}=2.4\text{kHz}$ , A=1, B=0, C=1
Standard output level 6	$V_{O6}$	0.65	1.35	1.70	V	$f_{\text{IN}}=5.9\text{kHz}$ , A=1, B=1, C=0
Standard output level 7	$V_{O7}$	0.65	1.35	1.70	V	$f_{\text{IN}}=14.4\text{kHz}$ , A=1, B=1, C=1
Input impedance	$R_{\text{IN}}$	80	100	120	k $\Omega$	$f_{\text{IN}}=1\text{kHz}$
Common-mode rejection ratio	CMRR	25	50	—	dB	$f_{\text{IN}}=1\text{kHz}$ , $V_{\text{AIN}}=V_{\text{CM}}$
Logic input "H" level	$V_{\text{IH}}$	2.5	5.0	—	V	
Logic input "L" level	$V_{\text{IL}}$	—	0	0.5	V	Not applicable in the when item 3 of the operation notes applies.
Output response time*1	$T_O$	—	5	10	$\mu\text{sec}$	
Discharge level	DL	—	3	—	dB	Reset pulse width $T_R = 10\mu\text{s}$ (typ.)*2

The test circuit is given in Fig. 1.

- \*1 The time from the rise of A, B, C or SEL until the rise of AOUT (90% of peak). If the output selection time is less than this, the output value is not guaranteed and the reset pulse is not generated.
- \*2 Automatically generated internally based on the output select signal. For the duration that this signal is "H", a resistor is connected to the peak hold capacitor, and the output level drops by -3dB (typ.) for one pulse.
- \*3 The Q of the bandpass filter is 3.5 for  $f_{O1}$  to  $f_{O6}$ , and 2.5 for  $f_{O7}$ .
- © Not designed for radiation resistance.

● Measurement circuit (BA3834S)

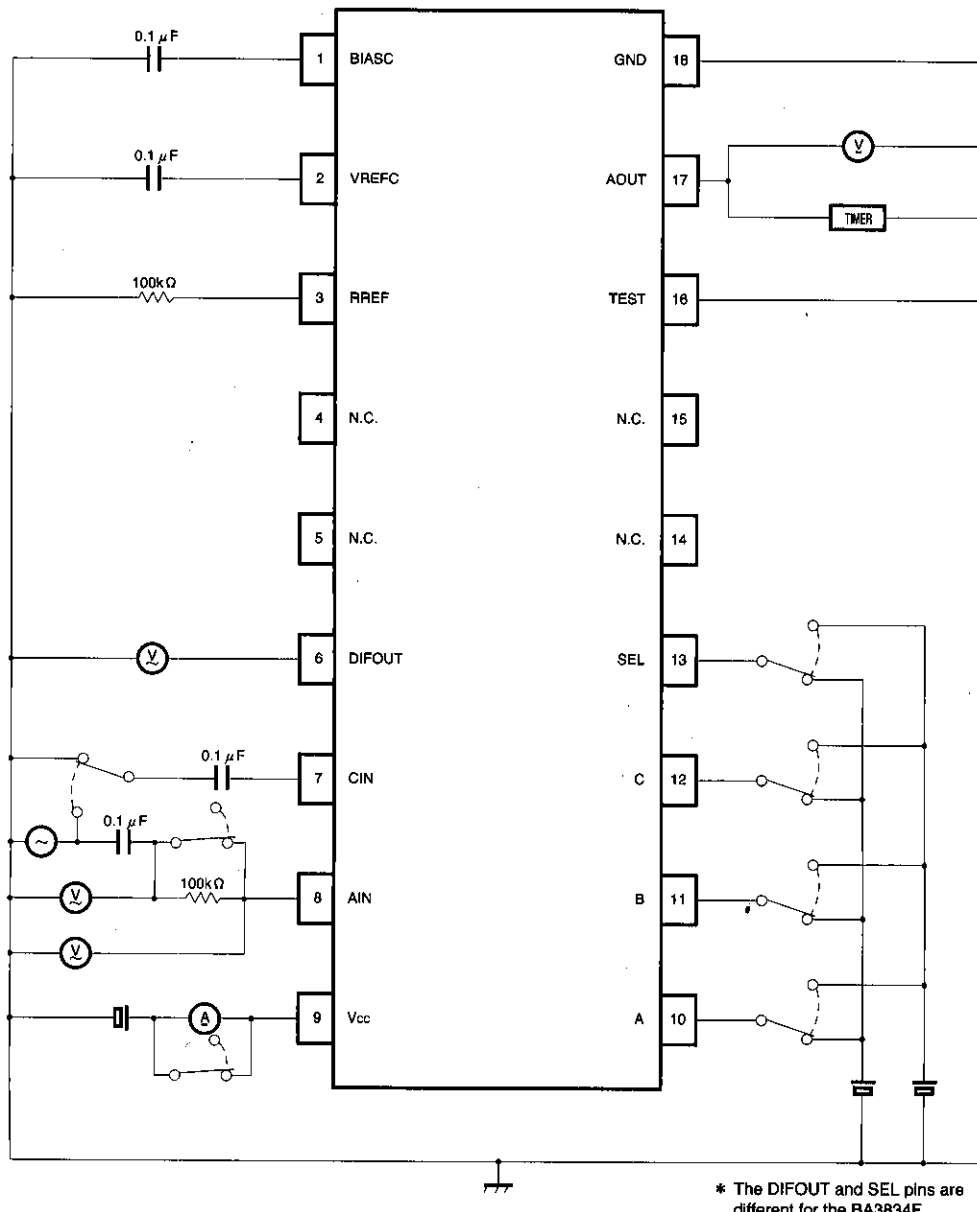


Fig. 1

Audio accessory components ■ Band-pass filters for spectrum analyzer

●Output select logic table

SEL	A	B	C	AOUT
0	X	X	X	GND
1	0	0	0	GND
1	0	0	1	68Hz
1	0	1	0	170Hz
1	0	1	1	420Hz
1	1	0	0	1kHz
1	1	0	1	2.4kHz
1	1	1	0	5.9kHz
1	1	1	1	14.4kHz

X: Don't Care.

●Timing chart

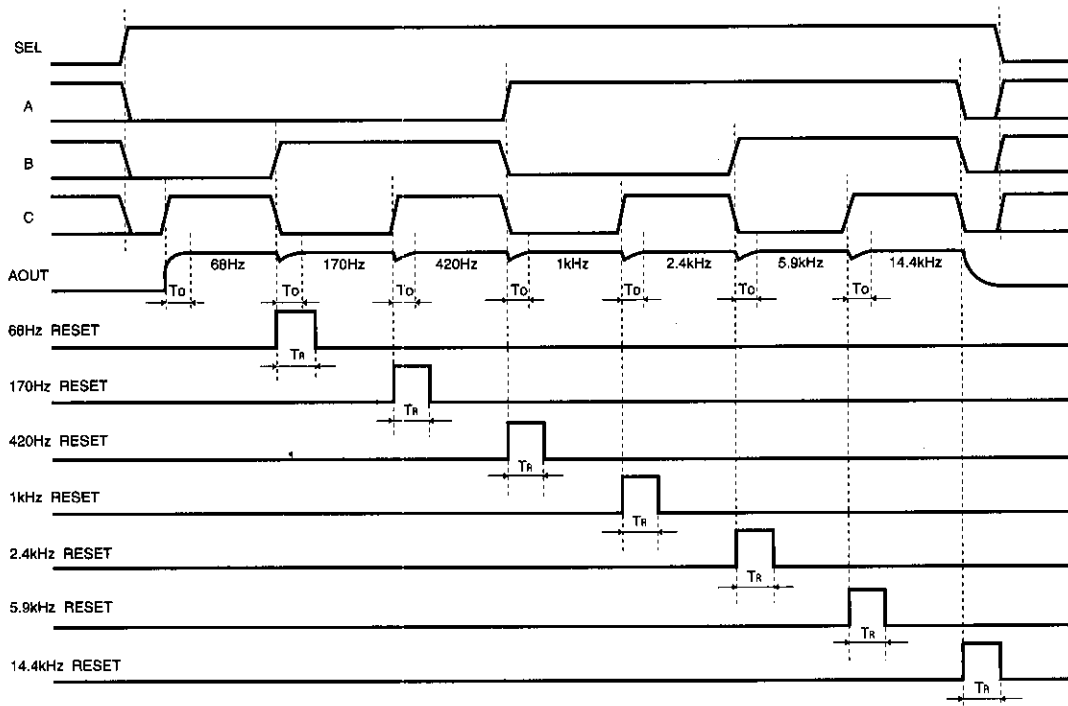
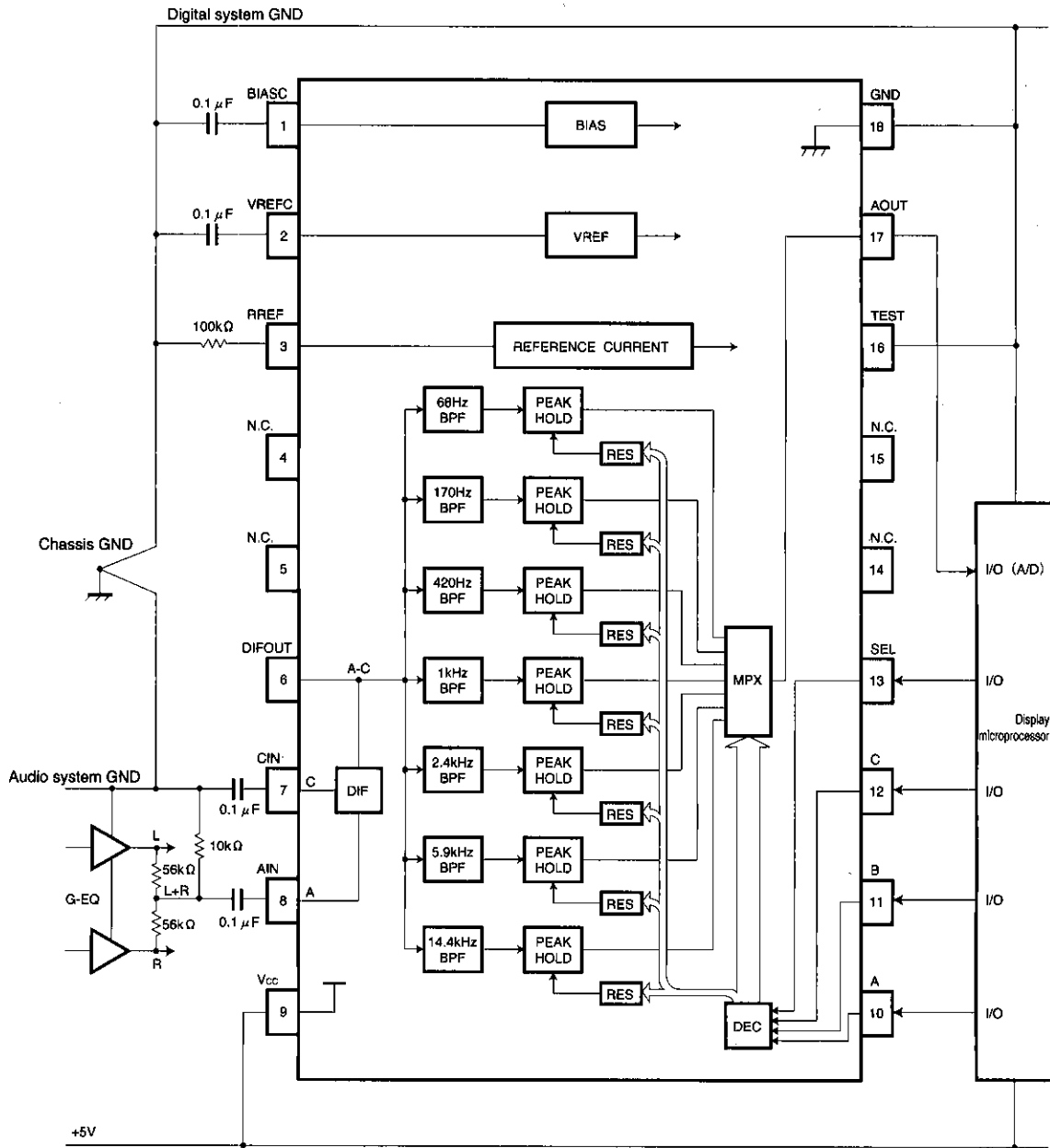


Fig. 2

● Application example (BA3834S)



\* The DIFOUT and SEL pins are different for the BA3834F.

Fig. 3

● Operation notes

1. Frequency characteristics

The frequency characteristics of this IC are determined by the resistor connected between the RREF terminal and GND. For the specification conditions, the value of this resistor is 100kΩ. If it is necessary to set the frequency characteristics accurately, use a variable resistor (note: all bands will shift together).

2. Load characteristics

To convert the bias sense output signal to the GND sense signal, the IC performs a V/I conversion, and then an I/V conversion using a 10kΩ resistor (typ.) for the output.

Therefore, if the load circuit connected to the AOUT pin has a MOS structure there is no problem (eg. microprocessor input port), but if the connected circuit has a low input impedance, it may cause the output level to drop.

3. External resistor for the control pin

When using a common port for the output select control and FL drive, you must add a diode and resistor as shown in Fig. 4 to prevent the FL drive "L" voltage from destroying the IC.

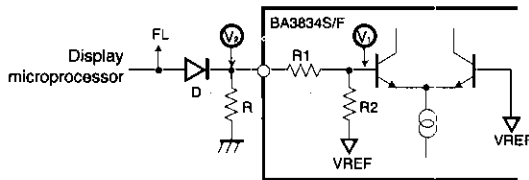


Fig. 4

In this case, the "L" voltage applied to the internal comparator input terminal  $V_1$  is given by :

$$V_1 = \frac{R_1 + R}{R_1 + R_2 + R} \times V_{REF}$$

To maintain a noise margin of at least 2.5V with respect to the comparator threshold level  $V_{REF}$ , the representative values for  $V_{REF}$ ,  $R_1$  and  $R_2$  are 1.5V, 20kΩ, and 10kΩ respectively. This gives :

$$\frac{20k\Omega + R}{20k\Omega + 10k\Omega + R} \times 1.5V + 0.25V < 1.5V$$

And from this, the following condition is obtained :

$$R < 30k\Omega$$

In this case, the "L" level voltage  $V_2$  for the IC will be :

$$V_2 < 0.75V$$

4. Recommended operating ranges

Provided that the IC is operated within the recommended operating conditions and the recommended temperature range, the basic circuit functions are guaranteed. Within these ranges, ratings for electrical characteristics for conditions other than those stipulated cannot be guaranteed, but the inherent function of the bandpass filter will be maintained.

5. Application circuit

Provided the recommended circuit constants are used, the application circuit should function correctly. However, we recommend that you confirm the characteristics of the circuits in actual use and pay due attention to the cautionary notes given below.

If you change the circuit constants, check both the static and transient characteristics of the circuit, and allow sufficient margin to accommodate variations between both ICs and external components. Note, also, that Rohm has not been able to conduct a sufficient study into patent rights.



6. Output offset voltage

The relationship between the output offset voltage and the output selection cycle (cycle time) for this IC is shown in the figure below. The maximum output offset voltage of 150mV that is given in the electrical characteristics table is under the condition that  $T_s = 200\text{msec}$ . When  $T_s$  is greater than 50msec, the graph of the output offset voltage is a straight line at 150mV. When  $T_s$  is below 50msec, due to transient characteristics of the peak hold circuit, the graph is a line sloping downwards to the right. In other words, the shorter the cycle, the larger the output offset voltage. Furthermore, the output offset voltage may shift due to soldering or other temperature stresses from the surroundings. Therefore, when setting the spectral analyzer light level, take into consideration the points given above and make sure that it does not light by mistake during quiescent periods. Use the chart below as a guide for this, and, if necessary, leave even a larger margin.

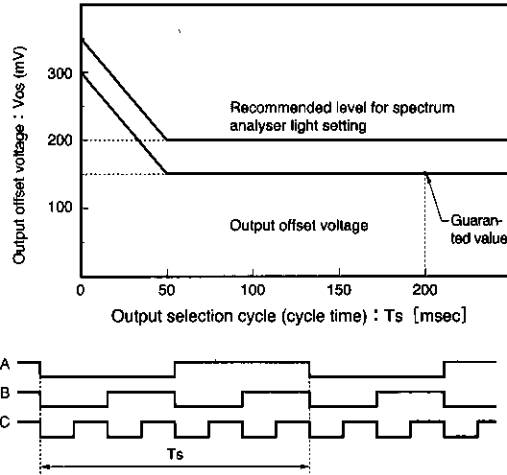


Fig. 5

●Electrical characteristics curves

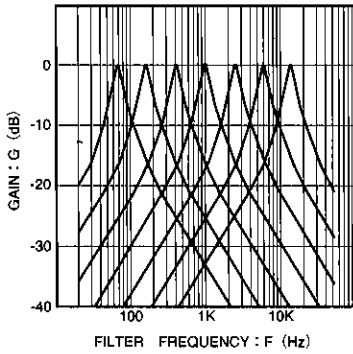


Fig. 6 BPF frequency characteristics

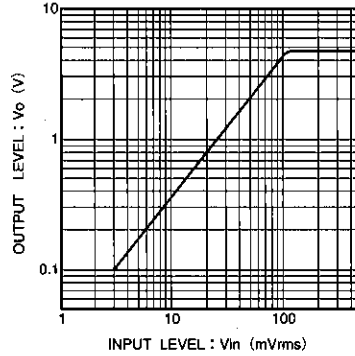
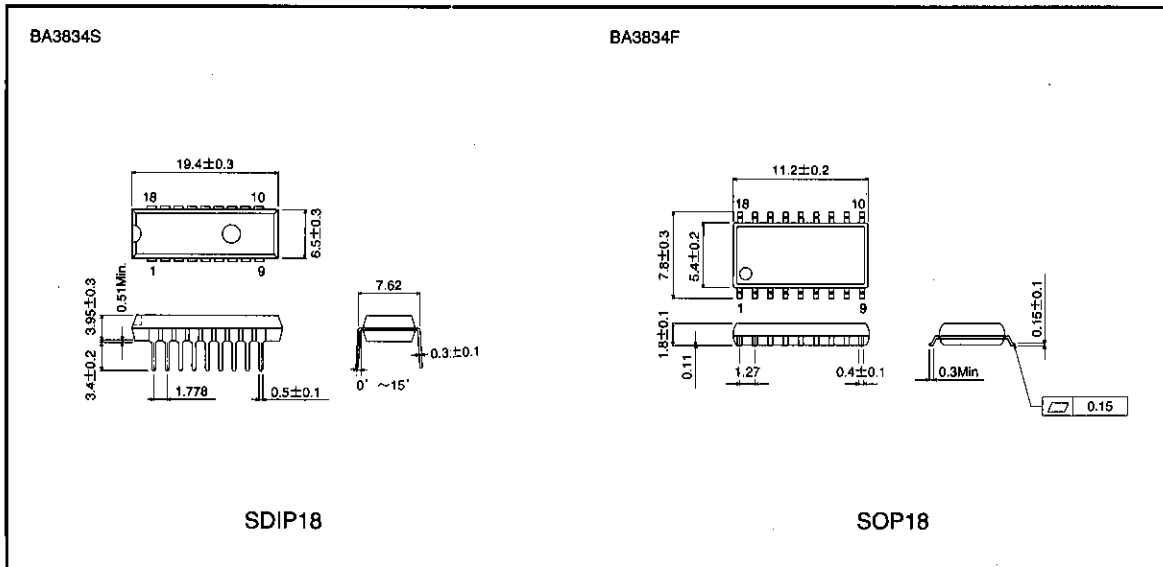


Fig. 7 Input level vs. output level

Band-pass filters for spectrum analyzer  
Audio accessory components

● External dimensions (Unit: mm)



## Notes

- The contents described in this catalogue are correct as of March 1997.
- No unauthorized transmission or reproduction of this book, either in whole or in part, is permitted.
- The contents of this book are subject to change without notice. Always verify before use that the contents are the latest specifications. If, by any chance, a defect should arise in the equipment as a result of use without verification of the specifications, ROHM CO., LTD., can bear no responsibility whatsoever.
- Application circuit diagrams and circuit constants contained in this data book are shown as examples of standard use and operation. When designing for mass production, please pay careful attention to peripheral conditions.
- Any and all data, including, but not limited to application circuit diagrams, information, and various data, described in this catalogue are intended only as illustrations of such devices and not as the specifications for such devices. ROHM CO., LTD., disclaims any warranty that any use of such device shall be free from infringement of any third party's intellectual property rights or other proprietary rights, and further, assumes absolutely no liability in the event of any such infringement, or arising from or connected with or related to the use of such devices.
- Upon the sale of any such devices; other than for the buyer's right to use such devices itself, resell or otherwise dispose of the same; no express or implied right or license to practice or commercially exploit any intellectual property rights or other proprietary rights owned or controlled by ROHM CO., LTD., is granted to any such buyer.
- The products in this manual are manufactured with silicon as the main material.
- The products in this manual are not of radiation resistant design.

The products listed in this catalogue are designed to be used with ordinary electronic equipment or devices (such as audio-visual equipment, office-automation equipment, communications devices, electrical appliances, and electronic toys). Should you intend to use these products with equipment or devices which require an extremely high level of reliability and the malfunction of which would directly endanger human life (such as medical instruments, transportation equipment, aerospace machinery, nuclear-reactor controllers, fuel controllers, or other safety devices) please be sure to consult with our sales representatives in advance.

- Notes when exporting
  - It is essential to obtain export permission when exporting any of the above products when it falls under the category of strategic material (or labor) as determined by foreign exchange or foreign trade control laws.
  - Please be sure to consult with our sales representatives to ascertain whether any product is classified as a strategic material.