

# Band-pass filter for spectrum analyzer BA3826S

The BA3826S is a 7-band (×2), band-pass filter that uses microprocessor time division to output in serial to left and right stereo channels. To minimize the number of external components required and enable compact and reliable designs, all of the capacitors for the filters are on the chip.

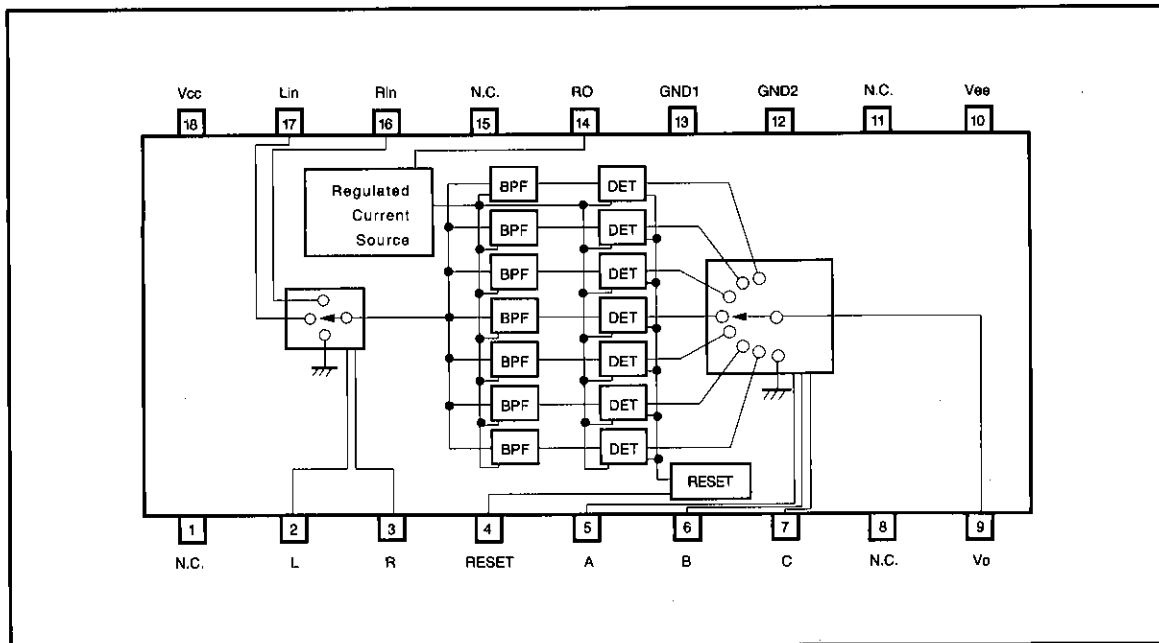
●Applications

CD radio cassette players, mini-component stereo systems, car stereos

●Features

- 1) Seven band-pass filter elements for spectrum analyzer displays.
- 2) Microprocessor time division used for serial output on L and R channels.
- 3) All filter capacitors are built-in to minimize external component requirements.
- 4) Low current consumption (8mA typ.).
- 5) Ideal for mini-component stereos and other stereo equipment.

●Block diagram



● Absolute maximum ratings (Ta = 25°C)

Parameter	Symbol	Limits	Unit
Power supply voltage	Vcc	7.0	V
	Vee	-7.0	
Power dissipation	Pd	600 *	mW
Operating temperature	Topr	-25~75	°C
Storage temperature	Tstg	-55~125	°C

\* Reduced by 6.0 mW for each increase in Ta of 1°C over 25°C.

● Recommended operating conditions (Ta = 25°C)

Parameter	Symbol	Min.	Typ.	Max.	Unit
Supply voltage	Vcc	4.0	5.0	6.5	V
	Vee	-4.0	-5.0	-6.5	

● Electrical characteristics (Unless otherwise specified, Ta = 25°C, Vcc = 5V, Vee = -5V, RL = 10kΩ, and Rφ = 120kΩ)

Parameter	Symbol	Min.	Typ.	Max.	Unit	Conditions
Quiescent current	Ic	—	8.0	12	mA	
Standard output level	Vo	-3	0	3	dB	Vin=150mVrms, Vo=1.5V (0dB) f= center frequency input
Maximum output level	Vomax	2.0	3.0	—	V	Vin=300mVrms, f= center frequency input
Output offset voltage	Voff	—	0	100	mV	For no signal
Center frequency 1	fo1	51	60	69	Hz	Vin=150mVrms
Center frequency 2	fo2	127	150	173	Hz	Vin=150mVrms
Center frequency 3	fo3	340	400	460	Hz	Vin=150mVrms
Center frequency 4	fo4	0.85	1	1.15	kHz	Vin=150mVrms
Center frequency 5	fo5	2.04	2.4	2.76	kHz	Vin=150mVrms
Center frequency 6	fo6	5.1	6	6.9	kHz	Vin=150mVrms
Center frequency 7	fo7	12.7	15	17.3	kHz	Vin=150mVrms
Signal input impedance	Rin	30	50	70	kΩ	Vin=150mVrms
Input current when reset pin "H" *1	Iin	120	250	380	μA	Vth=5V
Threshold level for reset pin on	Vth	1.7	—	—	V	
Threshold level for reset pin off	Vth	—	—	1.1	V	

\*1 The current flowing in when the voltage on the control pin is 5V.

©Not designed for radiation resistance.

Rφ is a metal film resistor.

● Measurement circuit

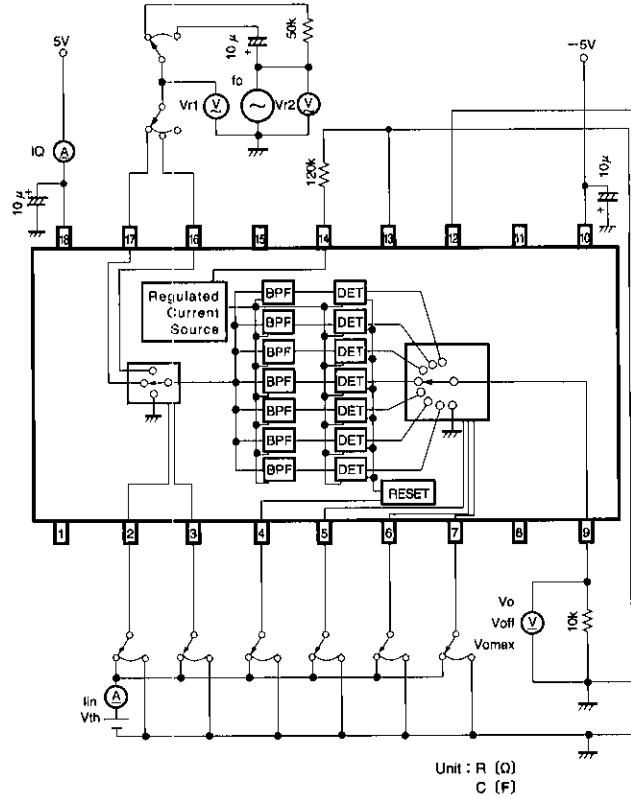
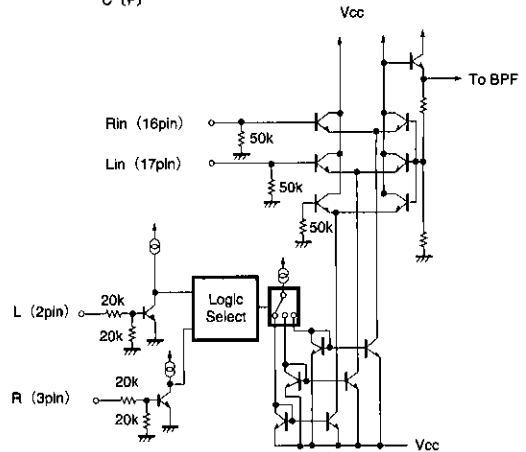


Fig. 1

● Circuit operation

1. Input switch circuit

The BA3826S alternately switches between the left and right stereo channel signals using time division to serialize and process the signals.



The input pin biased by a 50kΩ resistor connected to ground. The control logic threshold is set at 1.4V (typ.) (refer to the input switching logic table that follows).

Fig. 2 Equivalent circuit diagram for the input switching block.

2. Band-pass filter circuit

This circuit extracts the required frequency range from the input signal and amplifies it. The center frequency is determined by the value of the current flowing through the resistor connected to pin 14. Q is set to 3.5 (typ.). Due to the characteristics of the band-pass filter circuit, the circuit has a transition rise and fall characteristic. Due to the transition rise characteristic, five input cycles are required until peak output is reached. When RESET is input, a built-in circuit cancels the fall transition characteristic (input the reset signal for 0.5mS).

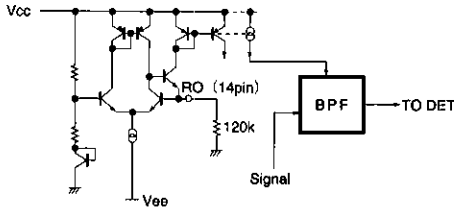


Fig. 3 Equivalent circuit diagram for the band-pass filter block.

3. DET circuit

The DET circuit detects the signal selected by the band pass filter and performs peak hold. The RESET Driver discharges the charge stored in the capacitor. After the RESET input is released, the RESET Driver discharges continuously for 14mS.

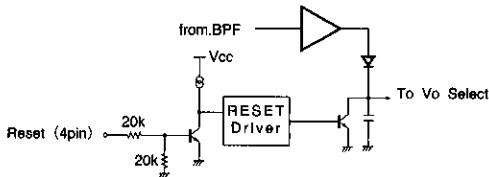
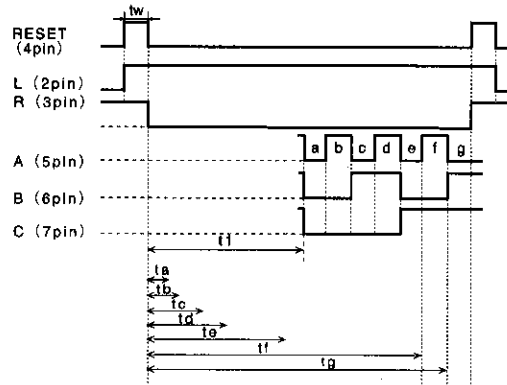


Fig. 4 Equivalent circuit diagram for the DET circuit block.

4. Timing



t1	>	14	mS
ta	>	0.4	mS = 5X1/fo7
tb	>	1.0	mS = 5X1/fo6
tc	>	2.5	mS = 5X1/fo5
td	>	5.9	mS = 5X1/fo4
te	>	14.7	mS = 5X1/fo3
tf	>	40	mS = 5X1/fo2
tg	>	98	mS = 5X1/fo1
tw	>	0.5	mS

\* fo is calculated at the minimum value.

Fig. 5 Timing

(1) RESET timing

The RESET input is used as the RESET signal for the band-pass filter circuit and the DET circuit. The setting time is 0.5mS min. When performing a RESET input, disable both the Lin and Rin inputs. The synchronous shift in this case must be ±0.1mS max.

(2) Output select timing

The audio input signal is not accepted when the RESET input and L (R) inputs are low. There are no particular restrictions on the select input for the various frequencies, but there are delay times until the peak voltage is settles (see (a) and (b) below). Accordingly, set the read timing for the DET signal after the longer of the delay times in (a) and (b).

(a) For the band-pass filter, a sampling time of at least 5 cycles is required due to the transition rise characteristic.

- (b) For DET, after release of RESET, there is a discharge time of 14mS (max.)  
The read enable period for Vo starts 0.5mS after the output switch logic settles.

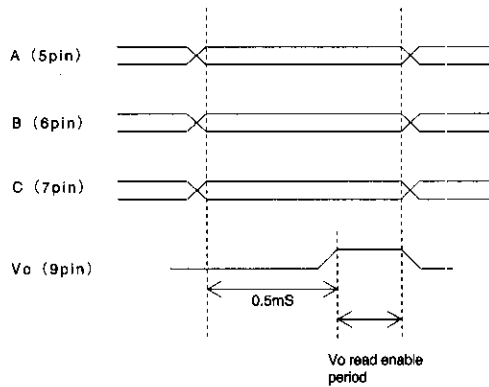


Fig. 6 Read enable timing

5. Application example with reduced cycle time  
The transition characteristics for the band-pass filter are shown in the graph below. The time for at least 5 fo cycles is required until the DET output peaks. Therefore, the lower the frequency, the longer the time required and fo1 requires the longest time. Refer to the values given below for applications that require a shorter cycle time. When fo1 = 60Hz, the time requires for output > 60% is tg > 45mS.

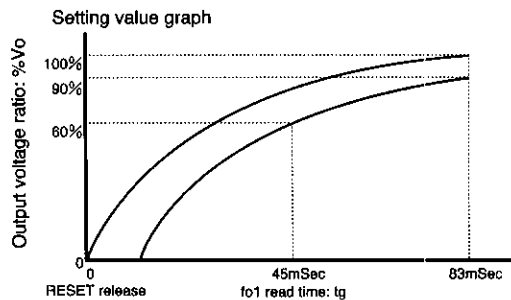


Fig. 7 fo1 read time vs. output voltage

6. Output switch circuit  
This circuit uses time division switching to output the peak hold signal from each DET. Switching occurs when the control signal reaches 1.4V, and when A, B, and C are all high, output is disabled (GND level). Refer to the table below regarding the output switching logic. The recommended output load resistance is 10kΩ.

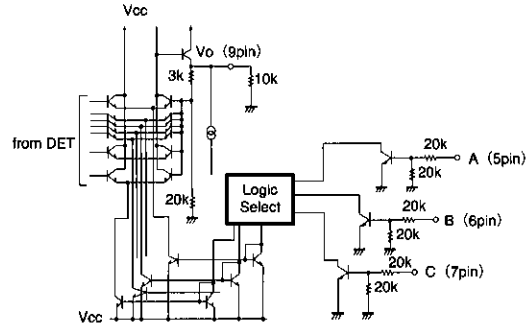


Fig. 8 Output switching circuit

● Input switching logic

Input switching logic

Select		Input
L (2pin)	R (3pin)	
L	L	Unstable
L	H	Lin
H	L	Rin
H	H	OFF

Output switching logic

Select			Output
A (5pin)	B (6pin)	C (7pin)	
H	H	H	0
L	H	H	fo1
H	L	H	fo2
L	L	H	fo3
H	H	L	fo4
L	H	L	fo5
H	L	L	fo6
L	L	L	fo7

● Application example

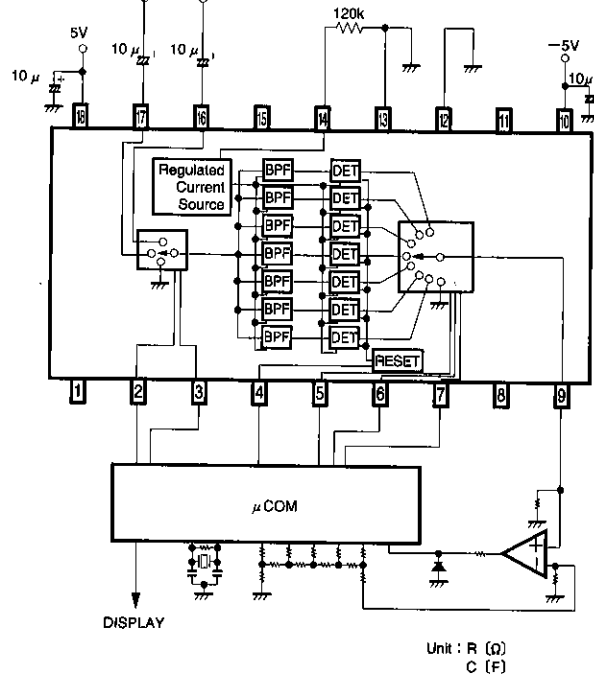


Fig. 9

● Operation notes

1. Application circuits

Provided the recommended circuit constants are used, the application circuits should function correctly. However, we recommend that you confirm the characteristics of the circuits in actual use and pay due attention to the cautionary notes given below.

If you change the circuit constants, check both the static and transient characteristics of the circuit, and allow sufficient margin to accommodate variations between both ICs and external components. Note, also, that Rohm has not been able to conduct a sufficient study into patent rights.

Band-pass filters for spectrum analyzer

Audio accessory components

2. Frequency characteristics

The frequency characteristics for this IC are set by an external resistor. The value of this resistor for the specification conditions is 120kΩ. Use a potentiometer if you wish to set the frequency characteristics accurately.

3. Operating voltage range

Operation of the application example circuit is guaranteed provided that the V<sub>CC</sub> and V<sub>EE</sub> voltages are within the specified power supply voltage range, and the ambient temperature is within the specified range. With regard to the characteristic values, the output voltage level will differ from the rated values for the specification conditions if the power supply voltage is reduced, but the inherent function of the band-pass filters is preserved.

4. Load resistance

The various circuit characteristics in this specification sheet were measured using an output load resistance of 10kΩ. If the load resistance is too low, the I/O gain and control range vary slightly. Be aware of this when connecting the next stage.

5. Coupling capacitors

Set the polarity of the input electrolytic coupling capacitors after establishing the electrical potential relationship with the connected input.

●Electrical characteristics curves

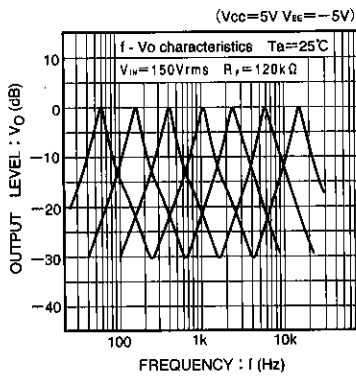


Fig. 10 Output level vs. frequency

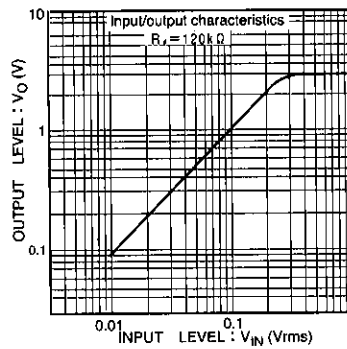
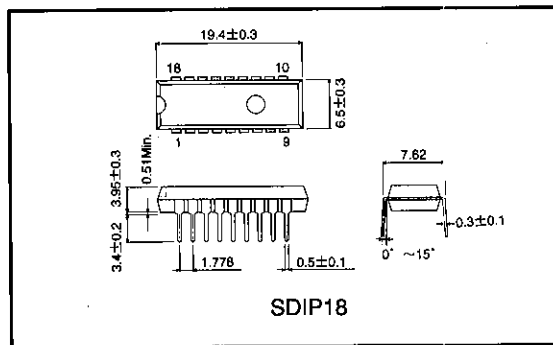


Fig. 11 Input level vs. output level

●External dimensions (Unit: mm)



## Notes

- The contents described in this catalogue are correct as of March 1997.
- No unauthorized transmission or reproduction of this book, either in whole or in part, is permitted.
- The contents of this book are subject to change without notice. Always verify before use that the contents are the latest specifications. If, by any chance, a defect should arise in the equipment as a result of use without verification of the specifications, ROHM CO., LTD., can bear no responsibility whatsoever.
- Application circuit diagrams and circuit constants contained in this data book are shown as examples of standard use and operation. When designing for mass production, please pay careful attention to peripheral conditions.
- Any and all data, including, but not limited to application circuit diagrams, information, and various data, described in this catalogue are intended only as illustrations of such devices and not as the specifications for such devices. ROHM CO., LTD., disclaims any warranty that any use of such device shall be free from infringement of any third party's intellectual property rights or other proprietary rights, and further, assumes absolutely no liability in the event of any such infringement, or arising from or connected with or related to the use of such devices.
- Upon the sale of any such devices; other than for the buyer's right to use such devices itself, resell or otherwise dispose of the same; no express or implied right or license to practice or commercially exploit any intellectual property rights or other proprietary rights owned or controlled by ROHM CO., LTD., is granted to any such buyer.
- The products in this manual are manufactured with silicon as the main material.
- The products in this manual are not of radiation resistant design.

The products listed in this catalogue are designed to be used with ordinary electronic equipment or devices (such as audio-visual equipment, office-automation equipment, communications devices, electrical appliances, and electronic toys). Should you intend to use these products with equipment or devices which require an extremely high level of reliability and the malfunction of which would directly endanger human life (such as medical instruments, transportation equipment, aerospace machinery, nuclear-reactor controllers, fuel controllers, or other safety devices) please be sure to consult with our sales representatives in advance.

- Notes when exporting
  - It is essential to obtain export permission when exporting any of the above products when it falls under the category of strategic material (or labor) as determined by foreign exchange or foreign trade control laws.
  - Please be sure to consult with our sales representatives to ascertain whether any product is classified as a strategic material.