

AN7292SC

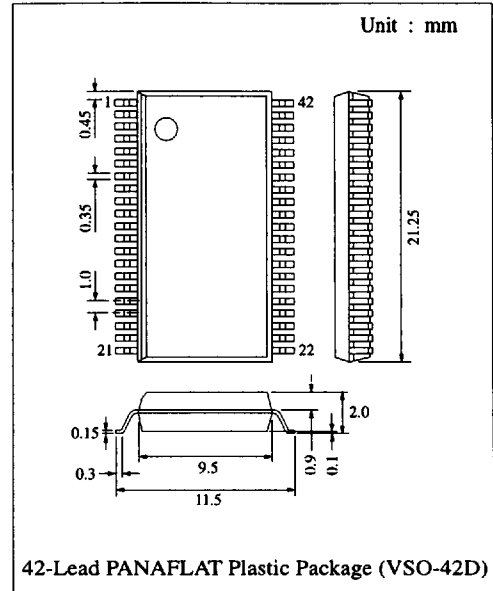
FM-IF, Detection, Noise Canceller, MPX Demodulation IC for Car Radio

■ Description

The AN7292SC is a monolithic integrated circuit integrating FM-IF / DET, PNL, MPX into a single chip. PNL, MPX is basically the same configuration as previous AN7465S, but VCO is adjustment-free by using ceramic lock.

■ Features

- Integration previous 2-chip (IF / DET, PNL / MPX) into a single chip
- High IF sensitivity
- With IF counter output, SEEK sensitivity adjustment
- Adjustment-free VCO (ceramic lock 912kHz)
- Fewer external parts (Fewer large capacitance capacitor)
- Good control voltage linearity, wide adjusting range
- Multipath detection amp. built-in
- V_{CC} range : $V_{CC} = 7.2V \sim 9.6V$
- SD function available



■ Block Diagram

