

## AN6780, AN6780S

### General Purpose Long Interval Timers

#### ■ Overview

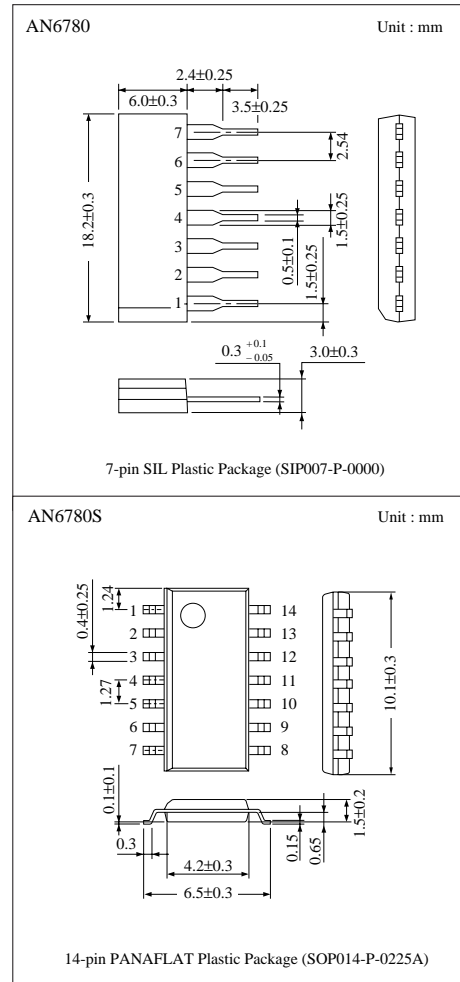
The AN6780 and AN6780S are ICs designed for general purpose long interval timers. They consists of an oscillator, frequency divider (flip-flop 15steps), output circuit, and power circuit. A cycle can be freely set with the external resistor ( $R_T$ ) and capacity ( $C_T$ ) of the oscillator.

#### ■ Features

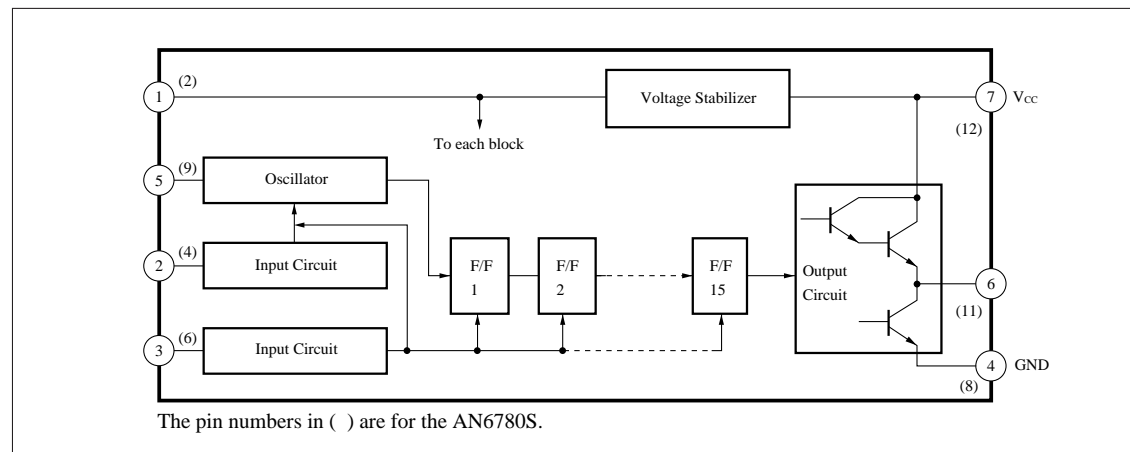
- High inflow and outflow current :  $I_O = \pm 15\text{mA}$  max
- Small variation of oscillations
- Long interval timer setting : max 1 week

#### ■ Applications

Timers, integrating timers, superlow frequency oscillators



#### ■ Block Diagram



## ■ Absolute Maximum Ratings (Ta=25°C)

Parameter		Symbol	Rating		Unit
Voltage	Supply voltage	V <sub>CC</sub>	13		V
	Circuit voltage	V <sub>1-4 (2-8)</sub>	0	4	V
		V <sub>2,3-4 (4,6-8)</sub>	0	13	V
		V <sub>5-4 (9-8)</sub>	0	4	V
		V <sub>6-4 (11-8)</sub>	V <sub>CC</sub> *1		V
Current	Supply current	I <sub>CC</sub>	30		mA
	Circuit current	I <sub>6(11)</sub>	-15	15	mA
Power dissipation		P <sub>D</sub>	360		mW
Temperature	Operating ambient temperature	T <sub>opr</sub>	-20 to +75		°C
	Storage temperature	T <sub>stg</sub>	-55 to +125		°C

\*1 When output is at "H", the pin number are for the AN6780S

## ■ Recommended Operating Range (Ta=25°C)

Parameter	Symbol	Range
Operating supply voltage range	V <sub>CC</sub>	4.5V to 12V

## ■ Electrical Characteristics (Ta=25°C)

Parameter	Symbol	Condition	min	typ	max	Unit
Supply current	I <sub>CC</sub>	V <sub>CC</sub> =12V	4	6.5	10	mA
Oscillator charging current	I <sub>1</sub> (I <sub>2</sub> )	V <sub>CC</sub> =5V, R=10kΩ	0.26	0.3	0.35	mA
Input current high level	I <sub>IH</sub>	V <sub>CC</sub> =12V, V <sub>IH</sub> =12V	—	—	10	μA
Input current low level	I <sub>IL</sub>	V <sub>CC</sub> =4.5V, V <sub>IL</sub> =0V	—	—	500	μA
Output voltage high level	V <sub>OH1</sub>	V <sub>CC</sub> =5V, I <sub>OH</sub> =-1mA	3	—	—	V
Output voltage high level	V <sub>OH2</sub>	V <sub>CC</sub> =9V, I <sub>OH</sub> =-10mA	5	—	—	V
Output voltage low level	V <sub>OL1</sub>	V <sub>CC</sub> =5V, I <sub>OL</sub> =10mA	—	—	0.4	V
Output voltage low level	V <sub>OL2</sub>	V <sub>CC</sub> =9V, I <sub>OL</sub> =10mA	—	—	0.4	V
Input voltage high level	V <sub>IH</sub>		2	—	—	V
Input voltage low level	V <sub>IL</sub>		—	—	0.8	V

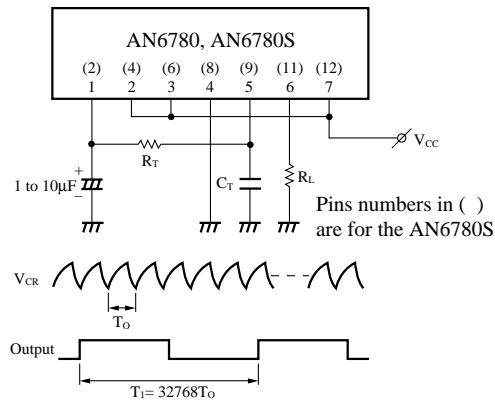
## ■ Pin Descriptions

Pin No.		Symbol	Description
AN6780	AN6780S		
1	2	V <sub>S</sub>	Internal stabilized power supply
2	4	Stop	Oscillation stop input
3	6	Reset	Reset input
4	8	GND	Ground
5	9	CR	C.R. connection
6	11	Output	Output
7	12	V <sub>CC</sub>	Supply voltage

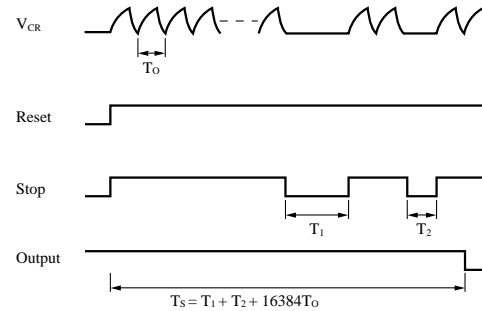
AN6780S : The Pins 1, 3, 5, 7, 10, 13 and 14 are non-contact.

## ■ Application Circuit

### 1) Superlow frequency oscillator

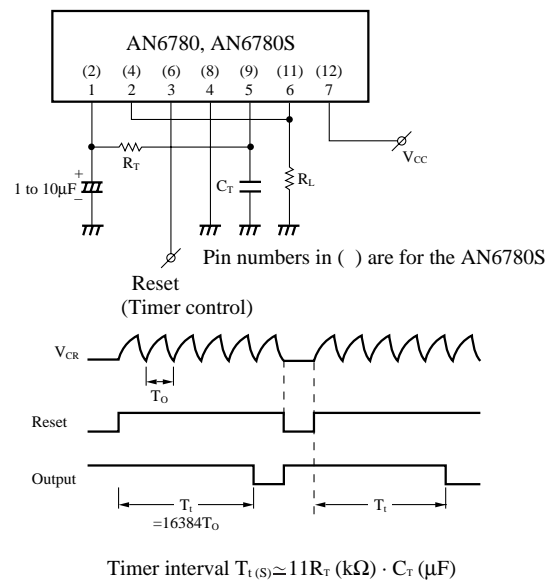


Oscillation interval  $T_{O(S)} \approx 0.69R_T (\Omega) \cdot C_T (F)$   
 Output interval  $T_{1(S)} \approx 22R_T (k\Omega) \cdot C_T (\mu F)$

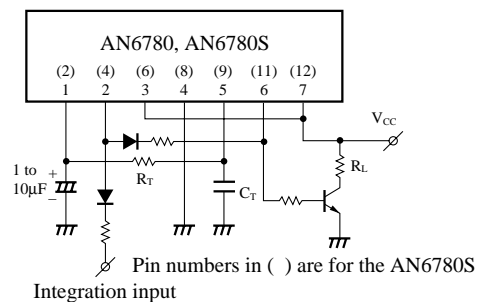


Integrating timer interval  
 $T_{S(S)} \approx 11R_T (k\Omega) \cdot C_T (\mu F) + (T_1 + T_2 + \dots)$

### 2) Timer



### 3) Integrating timer

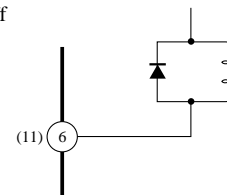


## ■ Supplementary Descriptions

### • Precautions on Use

Observe the following in order to prevent destruction and reliability of the IC during its use.

- For distribution of the oscillation frequency, take about 17% (IC alone) into account at the time of designing. When accuracy is requested, use a variable resistor as a timed resistor to make adjustment.
- For the timed resistor, use a polyester capacitor with low  $\tan\delta$ , whose resistance is  $1k\Omega$  to  $1M\Omega$  and timed capacity of  $0.1\mu F$ .
- The values obtained from the timer interval calculation expression, etc. in Application Circuit change depending on accuracy of the timed capacity in the actual set, etc.
- Attach a capacity (1 to  $10\mu F$ ) to the Pin1 (2) in order to protect the IC against noises and stabilize its operation.
- During normal operation, when you turn on the power after extremely short period of power-off, note that auto reset may not be applied due to residual potential of external capacity.
- Take a proper countermeasure noises in order to prevent malfunctioning from being caused by external noises. Particularly, when setting a long interval, pay attention to the external noises.
- When a plunger or relay is connected to the output circuit, connect diodes to both ends of the coil in order to protect the IC against counter electromotive power generated after power-off



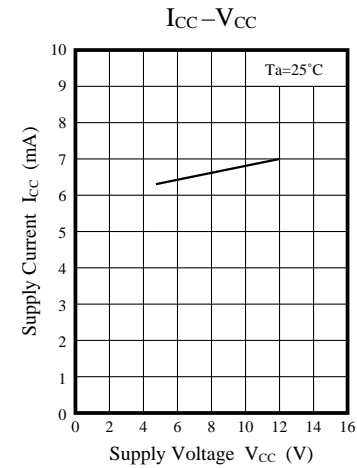
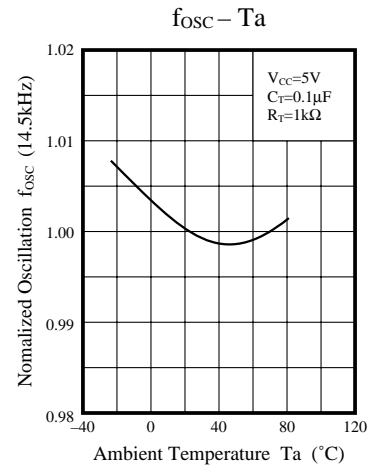
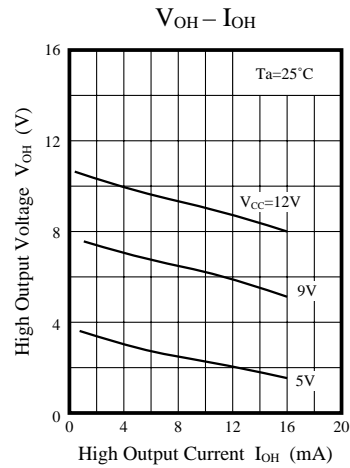
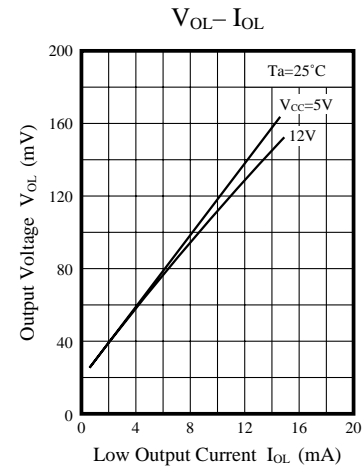
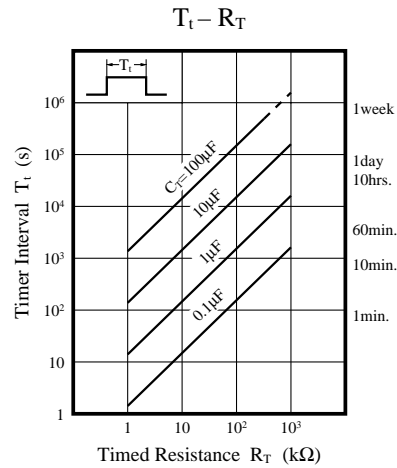
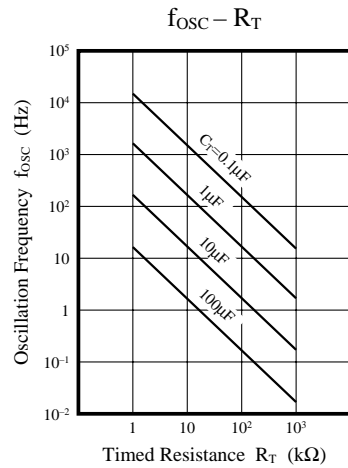
The pin numbers in ( ) are for the AN6780S

• Truth Table (Positive Logic)

Mode	Reset	Stop	Oscillator	Frequency divider	Output
1	L	*	Stop	Clear	H
2	H	H	Start	Counting	Counting
3	H	L	Stop	Stop Holds the previous state	Stop Holds the previous state

(Note) \*Either L or H will do. When the power is turned on, control proceeds to the mode 2 or mode 3 from the mode 1, depending on the reset/stop input state.

■ Characteristics Curve



## Request for your special attention and precautions in using the technical information and semiconductors described in this material

- (1) An export permit needs to be obtained from the competent authorities of the Japanese Government if any of the products or technologies described in this material and controlled under the "Foreign Exchange and Foreign Trade Law" is to be exported or taken out of Japan.
- (2) The technical information described in this material is limited to showing representative characteristics and applied circuit examples of the products. It does not constitute the warranting of industrial property, the granting of relative rights, or the granting of any license.
- (3) The products described in this material are intended to be used for standard applications or general electronic equipment (such as office equipment, communications equipment, measuring instruments and household appliances).  
Consult our sales staff in advance for information on the following applications:
  - Special applications (such as for airplanes, aerospace, automobiles, traffic control equipment, combustion equipment, life support systems and safety devices) in which exceptional quality and reliability are required, or if the failure or malfunction of the products may directly jeopardize life or harm the human body.
  - Any applications other than the standard applications intended.
- (4) The products and product specifications described in this material are subject to change without notice for reasons of modification and/or improvement. At the final stage of your design, purchasing, or use of the products, therefore, ask for the most up-to-date Product Standards in advance to make sure that the latest specifications satisfy your requirements.
- (5) When designing your equipment, comply with the guaranteed values, in particular those of maximum rating, the range of operating power supply voltage and heat radiation characteristics. Otherwise, we will not be liable for any defect which may arise later in your equipment.  
Even when the products are used within the guaranteed values, redundant design is recommended, so that such equipment may not violate relevant laws or regulations because of the function of our products.
- (6) When using products for which dry packing is required, observe the conditions (including shelf life and after-unpacking standby time) agreed upon when specification sheets are individually exchanged.
- (7) No part of this material may be reprinted or reproduced by any means without written permission from our company.

## Please read the following notes before using the datasheets

- A. These materials are intended as a reference to assist customers with the selection of Panasonic semiconductor products best suited to their applications.  
Due to modification or other reasons, any information contained in this material, such as available product types, technical data, and so on, is subject to change without notice.  
Customers are advised to contact our semiconductor sales office and obtain the latest information before starting precise technical research and/or purchasing activities.
- B. Panasonic is endeavoring to continually improve the quality and reliability of these materials but there is always the possibility that further rectifications will be required in the future. Therefore, Panasonic will not assume any liability for any damages arising from any errors etc. that may appear in this material.
- C. These materials are solely intended for a customer's individual use.  
Therefore, without the prior written approval of Panasonic, any other use such as reproducing, selling, or distributing this material to a third party, via the Internet or in any other way, is prohibited.