

# AN6609N, AN6609NS

## DC Motor Forward/Reverse Dual Speed Electronic Governor

### Overview

The AN6609N and AN6609NS are the electronic governor ICs which incorporate the forward/reverse rotation and double speed controls of the DC motors used for radio/cassette tape recorder, and the functions such as fast forward, rewind, brake, and pause. They are also available for controlling the video tape deck mechanisms such as the VCRs and DATs.

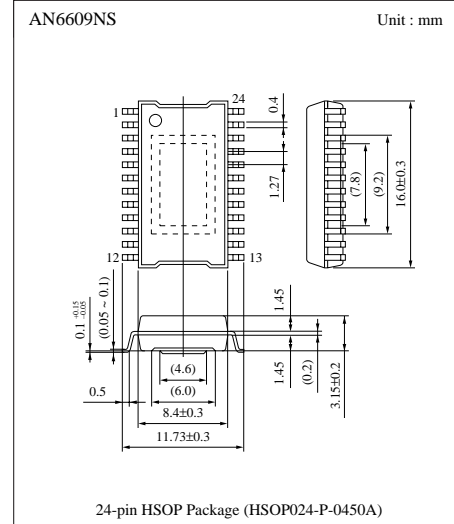
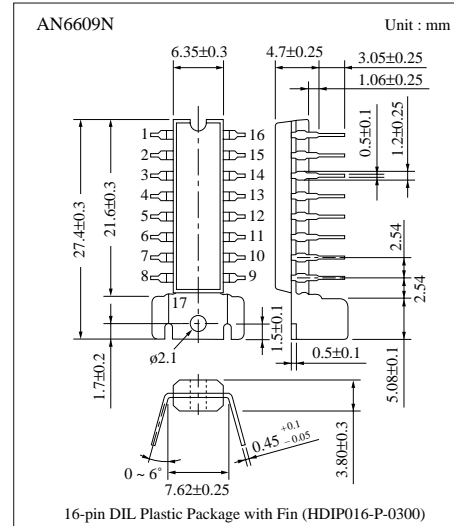
The AN6609N and AN6609NS are identical with each other except the operating logic by 3-bit input.

### Features

- Operating supply voltage range :  $V_{CC}=8V$  to  $16V$
- Stable reference voltage (1.27V) and easy speed adjustment
- Large starting torque and maximum control torque
- Built-in power transistor
- High-density mounting allowed by the SO package
- Forward/reverse constant speed and double speed controls, and fast forward, brake, and pause functions available by 3-bit input

### Applications

VCRs, cassette decks, radio/cassette tape recorders, car cassette tape players, tape loading DC motor control such as DATs



### Block Diagram

