

### FEATURES

- 110 MSPS Maximum Conversion Rate**
- 300 MHz Analog Bandwidth**
- 0.5 V to 1.0 V Analog Input Range**
- 500 ps p-p PLL Clock Jitter at 110 MSPS**
- 3.3 V Power Supply**
- Full Sync Processing**
- Sync Detect for "Hot Plugging"**
- Midscale Clamping**
- Power-Down Mode**
- Low Power: 500 mW Typical**
- Composite Sync Applications Require an External Coast**

### APPLICATIONS

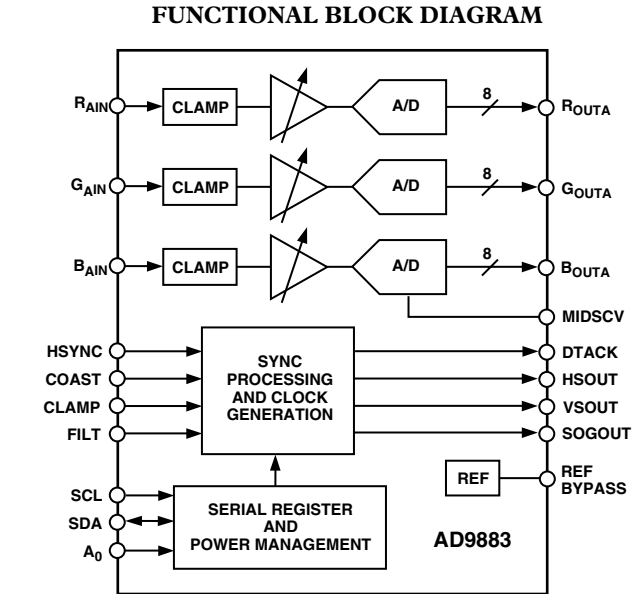
- RGB Graphics Processing**
- LCD Monitors and Projectors**
- Plasma Display Panels**
- Scan Converters**
- Microdisplays**
- Digital TV**

### GENERAL DESCRIPTION

The AD9883 is a complete 8-bit, 110 MSPS monolithic analog interface optimized for capturing RGB graphics signals from personal computers and workstations. Its 110 MSPS encode rate capability and full-power analog bandwidth of 300 MHz supports resolutions up to SXGA (1280 × 1024 at 60 Hz).

The AD9883 includes a 110 MHz triple ADC with internal 1.25 V reference, a PLL, and programmable gain, offset, and clamp control. The user provides only a 3.3 V power supply, analog input, and HSYNC and COAST signals. Three-state CMOS outputs may be powered from 2.5 V to 3.3 V.

The AD9883's on-chip PLL generates a pixel clock from HSYNC and COAST inputs. Pixel clock output frequencies range from



12 MHz to 110 MHz. PLL clock jitter is 500 ps p-p typical at 110 MSPS. When the COAST signal is presented, the PLL maintains its output frequency in the absence of HSYNC. A sampling phase adjustment is provided. Data, HSYNC and Clock output phase relationships are maintained. The AD9883 also offers full sync processing for composite sync and sync-on-green applications.

A clamp signal is generated internally or may be provided by the user through the CLAMP input pin. This interface is fully programmable via a two-wire serial interface.

Fabricated in an advanced CMOS process, the AD9883 is provided in a space-saving 80-lead LQFP surface mount plastic package and is specified over the 0°C to 70°C temperature range.

REV. 0

Information furnished by Analog Devices is believed to be accurate and reliable. However, no responsibility is assumed by Analog Devices for its use, nor for any infringements of patents or other rights of third parties which may result from its use. No license is granted by implication or otherwise under any patent or patent rights of Analog Devices.

# AD9883—SPECIFICATIONS

## Analog Interface ( $V_D = 3.3\text{ V}$ , $V_{DD} = 3.3\text{ V}$ , ADC Clock = Maximum Conversion Rate)

| Parameter                               | Temp | Test Level | AD9883KST-110        |            |                   | Unit   |
|---|------|------------|----------------------|------------|-------------------|--------|
|   |      |            | Min                  | Typ        | Max               |        |
| RESOLUTION                              |      |            |                      | 8          |                   | Bits   |
| DC ACCURACY                             |      |            |                      |            |                   |        |
| Differential Nonlinearity               | 25°C | I          |                      | ±0.5       | +1.25/-1.0        | LSB    |
|   | Full | VI         |                      |            | +1.35/-1.0        | LSB    |
| Integral Nonlinearity                   | 25°C | I          |                      | ±0.5       | ±1.85             | LSB    |
|   | Full | VI         |                      |            | ±2.0              | LSB    |
| No Missing Codes                        | Full | VI         |                      | Guaranteed |                   |        |
| ANALOG INPUT                            |      |            |                      |            |                   |        |
| Input Voltage Range                     |      |            |                      |            |                   |        |
| Minimum                                 | Full | VI         |                      |            | 0.5               | V p-p  |
| Maximum                                 | Full | VI         | 1.0                  |            |                   | V p-p  |
| Gain Tempco                             | 25°C | V          |                      | 100        |                   | ppm/°C |
| Input Bias Current                      | 25°C | IV         |                      |            | 1                 | μA     |
|   | Full | IV         |                      |            | 1                 | μA     |
| Input Offset Voltage                    | Full | VI         |                      | 7          | 50                | mV     |
| Input Full-Scale Matching               | Full | VI         |                      |            | 6.0               | % FS   |
| Offset Adjustment Range                 | Full | VI         | 46                   | 49         | 52                | % FS   |
| REFERENCE OUTPUT                        |      |            |                      |            |                   |        |
| Output Voltage                          | Full | VI         | 1.20                 | 1.25       | 1.32              | V      |
| Temperature Coefficient                 | Full | V          |                      | ±50        |                   | ppm/°C |
| SWITCHING PERFORMANCE                   |      |            |                      |            |                   |        |
| Maximum Conversion Rate                 | Full | VI         | 110                  |            |                   | MSPS   |
| Minimum Conversion Rate                 | Full | IV         |                      |            | 10                | MSPS   |
| Data to Clock Skew                      | Full | IV         | -0.5                 |            | +2.0              | ns     |
| t <sub>BUFF</sub>                       | Full | VI         | 4.7                  |            |                   | μs     |
| t <sub>STAH</sub>                       | Full | VI         | 4.0                  |            |                   | μs     |
| t <sub>DHO</sub>                        | Full | VI         | 0                    |            |                   | μs     |
| t <sub>DAL</sub>                        | Full | VI         | 4.7                  |            |                   | μs     |
| t <sub>DAH</sub>                        | Full | VI         | 4.0                  |            |                   | μs     |
| t <sub>DSU</sub>                        | Full | VI         | 250                  |            |                   | μs     |
| t <sub>STASU</sub>                      | Full | VI         | 4.7                  |            |                   | μs     |
| t <sub>STOSU</sub>                      | Full | VI         | 4.0                  |            |                   | μs     |
| HSYNC Input Frequency                   | Full | IV         | 15                   |            | 110               | kHz    |
| Maximum PLL Clock Rate                  | Full | VI         | 110                  |            |                   | MHz    |
| Minimum PLL Clock Rate                  | Full | IV         |                      |            | 12                | MHz    |
| PLL Jitter                              | 25°C | IV         |                      | 400        | 700 <sup>1</sup>  | ps p-p |
|   | Full | IV         |                      |            | 1000 <sup>1</sup> | ps p-p |
| Sampling Phase Tempco                   | Full | IV         |                      | 15         |                   | ps/°C  |
| DIGITAL INPUTS                          |      |            |                      |            |                   |        |
| Input Voltage, High (V <sub>IH</sub> )  | Full | VI         | 2.5                  |            |                   | V      |
| Input Voltage, Low (V <sub>IL</sub> )   | Full | VI         |                      |            | 0.8               | V      |
| Input Voltage, High (V <sub>IH</sub> )  | Full | V          |                      |            | -1.0              | μA     |
| Input Voltage, Low (V <sub>IL</sub> )   | Full | V          |                      |            | 1.0               | μA     |
| Input Capacitance                       | 25°C | V          |                      | 3          |                   | pF     |
| DIGITAL OUTPUTS                         |      |            |                      |            |                   |        |
| Output Voltage, High (V <sub>OH</sub> ) | Full | VI         | V <sub>D</sub> - 0.1 |            |                   | V      |
| Output Voltage, Low (V <sub>OL</sub> )  | Full | VI         |                      |            | 0.1               | V      |
| Duty Cycle DATAK                        | Full | IV         | 45                   | 50         | 55                | %      |
| Output Coding                           |      |            |                      | Binary     |                   |        |

| Parameter  | Temp | Test Level | AD9883KST-110 |      |     | Unit |
|--|------|------------|---------------|------|-----|------|
|  |      |            | Min           | Typ  | Max |      |
| <b>POWER SUPPLY</b>  |      |            |               |      |     |      |
| V <sub>D</sub> Supply Voltage                                  | Full | IV         | 3.0           | 3.3  | 3.6 | V    |
| V <sub>DD</sub> Supply Voltage                                 | Full | IV         | 2.2           | 3.3  | 3.6 | V    |
| P <sub>VD</sub> Supply Voltage                                 | Full | IV         | 3.0           | 3.3  | 3.6 | V    |
| I <sub>D</sub> Supply Current (V <sub>D</sub> )                | 25°C | V          |               | 132  |     | mA   |
| I <sub>DD</sub> Supply Current (V <sub>DD</sub> ) <sup>2</sup> | 25°C | V          |               | 19   |     | mA   |
| IP <sub>VD</sub> Supply Current (P <sub>VD</sub> )             | 25°C | V          |               | 8    |     | mA   |
| Total Power Dissipation  | Full | VI         |               | 525  | 650 | mW   |
| Power-Down Supply Current                                      | Full | VI         |               | 5    | 10  | mA   |
| Power-Down Dissipation   | Full | VI         |               | 16.5 | 33  | mW   |
| <b>DYNAMIC PERFORMANCE</b>                                     |      |            |               |      |     |      |
| Analog Bandwidth, Full Power                                   | 25°C | V          |               | 300  |     | MHz  |
| Transient Response   | 25°C | V          |               | 2    |     | ns   |
| Overvoltage Recovery Time                                      | 25°C | V          |               | 1.5  |     | ns   |
| Signal-to-Noise Ratio (SNR)                                    | 25°C | V          |               | 44   |     | dB   |
| (Without Harmonics)  | Full | V          |               | 43   |     | dB   |
| f <sub>IN</sub> = 40.7 MHz                                     |      |            |               |      |     |      |
| Crosstalk  | Full | V          |               | 55   |     | dBc  |
| <b>THERMAL CHARACTERISTICS</b>                                 |      |            |               |      |     |      |
| θ <sub>JC</sub> Junction-to-Case<br>Thermal Resistance         |      | V          |               | 16   |     | °C/W |
| θ <sub>JA</sub> Junction-to-Ambient<br>Thermal Resistance      |      | V          |               | 35   |     | °C/W |

## NOTES

<sup>1</sup>VCO Range = 10, Charge Pump Current = 110, PLL Divider = 1693.<sup>2</sup>DATAACK Load = 15 pF, Data Load = 5 pF.

Specifications subject to change without notice.

# AD9883

## ABSOLUTE MAXIMUM RATINGS\*

|                                    |                         |
|------------------------------------|-------------------------|
| V <sub>D</sub> .....               | 3.6 V                   |
| V <sub>DD</sub> .....              | 3.6 V                   |
| Analog Inputs .....                | V <sub>D</sub> to 0.0 V |
| VREF IN .....                      | V <sub>D</sub> to 0.0 V |
| Digital Inputs .....               | 5 V to 0.0 V            |
| Digital Output Current .....       | 20 mA                   |
| Operating Temperature .....        | -25°C to +85°C          |
| Storage Temperature .....          | -65°C to +150°C         |
| Maximum Junction Temperature ..... | 175°C                   |
| Maximum Case Temperature .....     | 150°C                   |

\*Stresses above those listed under Absolute Maximum Ratings may cause permanent damage to the device. This is a stress rating only; functional operation of the device at these or any other conditions outside of those indicated in the operation sections of this specification is not implied. Exposure to absolute maximum ratings for extended periods may affect device reliability.

## EXPLANATION OF TEST LEVELS

### Test Level

- I 100% production tested.
- II 100% production tested at 25°C and sample tested at specified temperatures.
- III Sample tested only.
- IV Parameter is guaranteed by design and characterization testing.
- V Parameter is a typical value only.
- VI 100% production tested at 25°C; guaranteed by design and characterization testing.

## ORDERING GUIDE

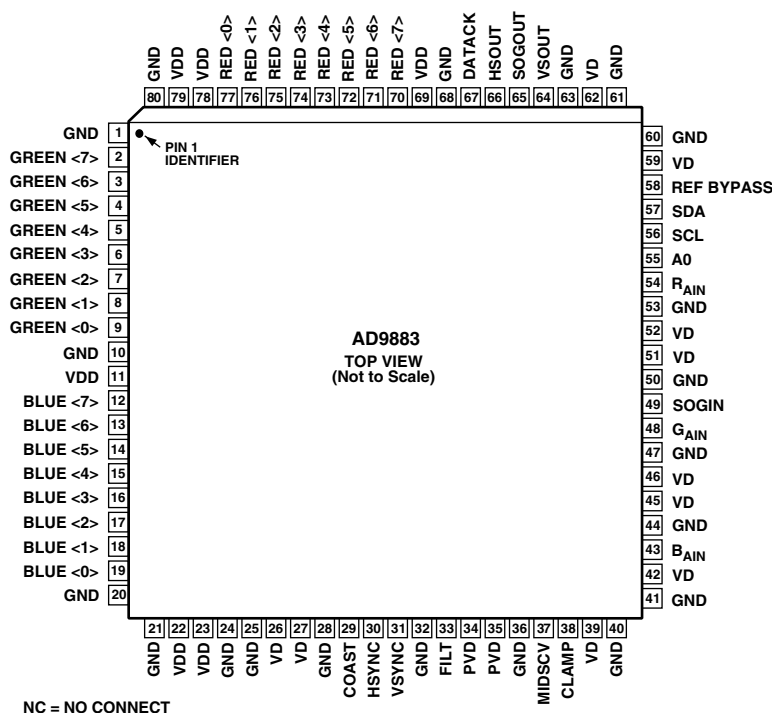
| Model         | Temperature Range | Package Description        | Package Option |
|---------------|-------------------|----------------------------|----------------|
| AD9883KST-110 | 0°C to 70°C       | Thin Plastic Quad Flatpack | ST-80          |
| AD9883/PCB    | 25°C              | Evaluation Board           |                |

## CAUTION

ESD (electrostatic discharge) sensitive device. Electrostatic charges as high as 4000 V readily accumulate on the human body and test equipment and can discharge without detection. Although the AD9883 features proprietary ESD protection circuitry, permanent damage may occur on devices subjected to high-energy electrostatic discharges. Therefore, proper ESD precautions are recommended to avoid performance degradation or loss of functionality.



## PIN CONFIGURATION



**Table I. Complete Pinout List**

| Pin Type     | Mnemonic         | Function   | Value          | Pin Number |
|--------------|------------------|--|----------------|------------|
| Inputs       | R <sub>AIN</sub> | Analog Input for Converter R                               | 0.0 V to 1.0 V | 54         |
|              | G <sub>AIN</sub> | Analog Input for Converter G                               | 0.0 V to 1.0 V | 48         |
|              | B <sub>AIN</sub> | Analog Input for Converter B                               | 0.0 V to 1.0 V | 43         |
|              | HSYNC            | Horizontal SYNC Input                                      | 3.3 V CMOS     | 30         |
|              | VSYNC            | Vertical SYNC Input  | 3.3 V CMOS     | 31         |
|              | SOGIN            | Input for Sync-on-Green                                    | 0.0 V to 1.0 V | 49         |
|              | CLAMP            | Clamp Input (External CLAMP Signal)                        | 3.3 V CMOS     | 38         |
|              | COAST            | PLL COAST Signal Input                                     | 3.3 V CMOS     | 29         |
| Outputs      | Red [7:0]        | Outputs of Converter “Red,” Bit 7 Is the MSB               | 3.3 V CMOS     | 70–77      |
|              | Green [7:0]      | Outputs of Converter “Green,” Bit 7 Is the MSB             | 3.3 V CMOS     | 2–9        |
|              | Blue [7:0]       | Outputs of Converter “Blue,” Bit 7 Is the MSB              | 3.3 V CMOS     | 12–19      |
|              | DATAACK          | Data Output Clock  | 3.3 V CMOS     | 67         |
|              | HSOUT            | HSYNC Output Clock (Phase-Aligned with DATAACK)            | 3.3 V CMOS     | 66         |
|              | VSOUT            | VSYNC Output Clock (Phase-Aligned with DATAACK)            | 3.3 V CMOS     | 64         |
|              | SOGOUT           | Sync on Green Slicer Output                                | 3.3 V CMOS     | 65         |
| References   | REF BYPASS       | Internal Reference Bypass                                  | 1.25 V ± 10%   | 58         |
|              | MIDSCV           | Internal Midscale Voltage Bypass                           |                | 37         |
|              | FILT             | Connection for External Filter Components for Internal PLL |                | 33         |
| Power Supply | V <sub>D</sub>   | Analog Power Supply  | 3.3 V ± 10%    |            |
|              | V <sub>DD</sub>  | Output Power Supply  | 3.3 V ± 10%    |            |
|              | PV <sub>D</sub>  | PLL Power Supply   | 3.3 V ± 10%    |            |
|              | GND              | Ground   | 0 V            |            |
| Control      | SDA              | Serial Port Data I/O                                       | 3.3 V CMOS     | 57         |
|              | SCL              | Serial Port Data Clock (100 kHz Maximum)                   | 3.3 V CMOS     | 56         |
|              | A0               | Serial Port Address Input 1                                | 3.3 V CMOS     | 55         |

# AD9883

## PIN FUNCTION DETAIL

### Outputs

**HSOUT** Horizontal Sync Output

A reconstructed and phase-aligned version of the Hsync input. Both the polarity and duration of this output can be programmed via serial bus registers.

By maintaining alignment with DATAACK, and Data, data timing with respect to horizontal sync can always be determined.

**VSOUT** Vertical Sync Output

A reconstructed and phase-aligned version of the video Vsync. The polarity of this output can be controlled via a serial bus bit. The placement and duration in all modes is set by the graphics transmitter.

**SOGOUT** Sync On Green Slicer Output

This pin outputs either the signal from the Sync-On-Green slicer comparator or an unprocessed but delayed version of the Hsync input. See the Sync Block Diagram (Figure 11) to view how this pin is connected.

(Note: Besides slicing off SOG, the output from this pin gets no other additional processing on the AD9883. Vsync separation is performed via the sync separator.)

### Serial Port (Two-Wire)

**SDA** Serial Port Data I/O  
**SCL** Serial Port Data Clock  
**A0** Serial Port Address Input 1

For a full description of the two-wire serial register and how it works, refer to the Two-Wire Serial Control Port section.

### Data Outputs

**RED** Data Output, Red Channel  
**GREEN** Data Output, Green Channel  
**BLUE** Data Output, Blue Channel

The main data outputs. Bit 7 is the MSB. The delay from pixel sampling time to output is fixed. When the sampling time is changed by adjusting the PHASE register, the output timing is shifted as well. The DATAACK and HSOUT outputs are also moved, so the timing relationship among the signals is maintained. For exact timing information, refer to Figures 7 and 8.

### Data Clock Output

**DATAACK** Data Output Clock

This is the main clock output signal used to strobe the output data and HSOUT into external logic.

It is produced by the internal clock generator and is synchronous with the internal pixel sampling clock.

When the sampling time is changed by adjusting the PHASE register, the output timing is shifted as well. The Data, DATAACK, and HSOUT outputs are all moved, so the timing relationship among the signals is maintained.

### Inputs

**R<sub>AIN</sub>** Analog Input for RED Channel  
**G<sub>AIN</sub>** Analog Input for GREEN Channel  
**B<sub>AIN</sub>** Analog Input for BLUE Channel

High-impedance inputs that accept the RED, GREEN, and BLUE channel graphics signals, respectively. (The three channels are identical, and can be used for any colors, but colors are assigned for convenient reference.)

They accommodate input signals ranging from 0.5 V to 1.0 V full scale. Signals should be ac-coupled to these pins to support clamp operation.

**HSYNC** Horizontal Sync Input

This input receives a logic signal that establishes the horizontal timing reference and provides the frequency reference for pixel clock generation.

The logic sense of this pin is controlled by serial register 0Eh Bit 6 (Hsync Polarity). Only the leading edge of Hsync is active, the trailing edge is ignored. When Hsync Polarity = 0, the falling edge of Hsync is used. When Hsync Polarity = 1, the rising edge is active.

The input includes a Schmitt trigger for noise immunity, with a nominal input threshold of 1.5 V.

**VSYNC** Vertical Sync Input

This is the input for vertical sync.

**SOGIN** Sync-on-Green Input

This input is provided to assist with processing signals with embedded sync, typically on the GREEN channel. The pin is connected to a high-speed comparator with an internally generated threshold. The threshold level can be programmed in 10 mV steps to any voltage between 10 mV and 330 mV above the negative peak of the input signal. The default voltage threshold is 150 mV.

When connected to an ac-coupled graphics signal with embedded sync, it will produce a noninverting digital output on SOGOUT. (This is usually a composite sync signal, containing both vertical and horizontal sync information that must be separated before passing the horizontal sync signal to Hsync.)

When not used, this input should be left unconnected. For more details on this function and how it should be configured, refer to the Sync on Green section.

|                     |   |                 |   |
|---------------------|---|-----------------|---|
| CLAMP               | <p><b>External Clamp Input</b></p> <p>This logic input may be used to define the time during which the input signal is clamped to ground. It should be exercised when the reference dc level is known to be present on the analog input channels, typically during the back porch of the graphics signal. The CLAMP pin is enabled by setting control bit Clamp Function to 1, (register 0FH, Bit 7, default is 0). When disabled, this pin is ignored and the clamp timing is determined internally by counting a delay and duration from the trailing edge of the HSYNC input. The logic sense of this pin is controlled by Clamp Polarity register 0FH, Bit 6. When not used, this pin must be grounded and Clamp Function programmed to 0.</p>                  | V <sub>DD</sub> | <p><b>Digital Output Power Supply</b></p> <p>A large number of output pins (up to 25) switching at high speed (up to 110 MHz) generates a lot of power supply transients (noise). These supply pins are identified separately from the V<sub>D</sub> pins so special care can be taken to minimize output noise transferred into the sensitive analog circuitry.</p> <p>If the AD9883 is interfacing with lower-voltage logic, V<sub>DD</sub> may be connected to a lower supply voltage (as low as 2.5 V) for compatibility.</p>   |
| COAST               | <p><b>Clock Generator Coast Input (Optional)</b></p> <p>This input may be used to cause the pixel clock generator to stop synchronizing with Hsync and continue producing a clock at its current frequency and phase. This is useful when processing signals from sources that fail to produce horizontal sync pulses during the vertical interval. The COAST signal is generally NOT required for PC-generated signals.</p> <p>The logic sense of this pin is controlled by Coast Polarity, (register 0FH, Bit 3).</p> <p>When not used, this pin may be grounded and Coast Polarity programmed to 1, or tied HIGH (to V<sub>D</sub> through a 10 k<math>\Omega</math> resistor) and Coast Polarity programmed to 0. Coast Polarity defaults to 1 at power-up.</p> | PV <sub>D</sub> | <p><b>Clock Generator Power Supply</b></p> <p>The most sensitive portion of the AD9883 is the clock generation circuitry. These pins provide power to the clock PLL and help the user design for optimal performance. The designer should provide “quiet,” noise-free power to these pins.</p>  |
| REF BYPASS          | <p><b>Internal Reference BYPASS</b></p> <p>Bypass for the internal 1.25 V bandgap reference. It should be connected to ground through a 0.1 <math>\mu</math>F capacitor.</p> <p>The absolute accuracy of this reference is <math>\pm 4\%</math>, and the temperature coefficient is <math>\pm 50</math> ppm, which is adequate for most AD9883 applications. If higher accuracy is required, an external reference may be employed instead.</p>   | GND             | <p><b>Ground</b></p> <p>The ground return for all circuitry on chip. It is recommended that the AD9883 be assembled on a single solid ground plane, with careful attention to ground current paths.</p>   |
| MIDSCV              | <p><b>Midscale Voltage Reference BYPASS</b></p> <p>Bypass for the internal midscale voltage reference. It should be connected to ground through a 0.1 <math>\mu</math>F capacitor. The exact voltage varies with the gain setting of the BLUE channel.</p>  |                 | <p><b>DESIGN GUIDE</b></p> <p><b>General Description</b></p> <p>The AD9883 is a fully integrated solution for capturing analog RGB signals and digitizing them for display on flat panel monitors or projectors. The circuit is ideal for providing a computer interface for HDTV monitors or as the front-end to high-performance video scan converters.</p> <p>Implemented in a high-performance CMOS process, the interface can capture signals with pixel rates of up to 110 MHz.</p> <p>The AD9883 includes all necessary input buffering, signal dc restoration (clamping), offset and gain (brightness and contrast) adjustment, pixel clock generation, sampling phase control, and output data formatting. All controls are programmable via a 2-wire serial interface. Full integration of these sensitive analog functions makes system design straightforward and less sensitive to the physical and electrical environment.</p> <p>With a typical power dissipation of only 500 mW and an operating temperature range of 0°C to 70°C, the device requires no special environmental considerations.</p> |
| FILT                | <p><b>External Filter Connection</b></p> <p>For proper operation, the pixel clock generator PLL requires an external filter. Connect the filter shown in Figure 6 to this pin. For optimal performance, minimize noise and parasitics on this node.</p>   |                 | <p><b>Digital Inputs</b></p> <p>All digital inputs on the AD9883 operate to 3.3 V CMOS levels. However, all digital inputs are 5 V tolerant. (Applying 5 V to them will not cause any damage.)</p>  |
| <b>Power Supply</b> |   |                 | <p><b>Input Signal Handling</b></p> <p>The AD9883 has three high-impedance analog input pins for the Red, Green, and Blue channels. They will accommodate signals ranging from 0.5 V to 1.0 V p-p.</p> <p>Signals are typically brought onto the interface board via a DVI-I connector, a 15-pin D connector, or via BNC connectors. The AD9883 should be located as close as practical to the input connector. Signals should be routed via matched-impedance traces (normally 75 <math>\Omega</math>) to the IC input pins.</p>   |
| V <sub>D</sub>      | <p><b>Main Power Supply</b></p> <p>These pins supply power to the main elements of the circuit. They should be as quiet and filtered as possible.</p>   |                 |   |

# AD9883

At that point the signal should be resistively terminated ( $75\ \Omega$  to the signal ground return) and capacitively coupled to the AD9883 inputs through  $47\ \text{nF}$  capacitors. These capacitors form part of the dc restoration circuit.

In an ideal world of perfectly matched impedances, the best performance can be obtained with the widest possible signal bandwidth. The ultrawide bandwidth inputs of the AD9883 ( $300\ \text{MHz}$ ) can track the input signal continuously as it moves from one pixel level to the next, and digitize the pixel during a long, flat pixel time. In many systems, however, there are mismatches, reflections, and noise, which can result in excessive ringing and distortion of the input waveform. This makes it more difficult to establish a sampling phase that provides good image quality. It has been shown that a small inductor in series with the input is effective in rolling off the input bandwidth slightly, and providing a high quality signal over a wider range of conditions. Using a Fair-Rite #2508051217Z0- High-Speed Signal Chip Bead inductor in the circuit of Figure 1 gives good results in most applications.

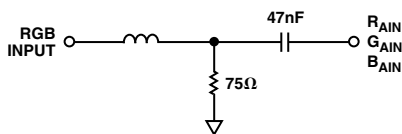


Figure 1. Analog Input Interface Circuit

## Hsync, Vsync Inputs

The interface also takes a horizontal sync signal, which is used to generate the pixel clock and clamp timing. This can be either a sync signal directly from the graphics source, or a preprocessed TTL or CMOS level signal.

The Hsync input includes a Schmitt trigger buffer for immunity to noise and signals with long rise times. In typical PC-based graphic systems, the sync signals are simply TTL-level drivers feeding unshielded wires in the monitor cable. As such, no termination is required.

## Serial Control Port

The serial control port is designed for  $3.3\ \text{V}$  logic. If there are  $5\ \text{V}$  drivers on the bus, these pins should be protected with  $150\ \Omega$  series resistors placed between the pull-up resistors and the input pins.

## Output Signal Handling

The digital outputs are designed and specified to operate from a  $3.3\ \text{V}$  power supply ( $V_{\text{DD}}$ ). They can also work with a  $V_{\text{DD}}$  as low as  $2.5\ \text{V}$  for compatibility with other  $2.5\ \text{V}$  logic.

## Clamping

### RGB Clamping

To properly digitize the incoming signal, the dc offset of the input must be adjusted to fit the range of the on-board A/D converters.

Most graphics systems produce RGB signals with black at ground and white at approximately  $0.75\ \text{V}$ . However, if sync signals are embedded in the graphics, the sync tip is often at ground and black is at  $300\ \text{mV}$ . Then white is at approximately  $1.0\ \text{V}$ . Some common RGB line amplifier boxes use emitter-follower buffers to split signals and increase drive capability. This introduces a  $700\ \text{mV}$  dc offset to the signal, which must be removed for proper capture by the AD9883.

The key to clamping is to identify a portion (time) of the signal when the graphic system is known to be producing black. An offset is then introduced which results in the A/D converters

producing a black output (code  $00\text{h}$ ) when the known black input is present. The offset then remains in place when other signal levels are processed, and the entire signal is shifted to eliminate offset errors.

In most pc graphics systems, black is transmitted between active video lines. With CRT displays, when the electron beam has completed writing a horizontal line on the screen (at the right side), the beam is deflected quickly to the left side of the screen (called horizontal retrace) and a black signal is provided to prevent the beam from disturbing the image.

In systems with embedded sync, a blacker-than-black signal (Hsync) is produced briefly to signal the CRT that it is time to begin a retrace. For obvious reasons, it is important to avoid clamping on the tip of Hsync. Fortunately, there is virtually always a period following Hsync called the back porch where a good black reference is provided. This is the time when clamping should be done.

The clamp timing can be established by simply exercising the CLAMP pin at the appropriate time (with External Clamp = 1). The polarity of this signal is set by the Clamp Polarity bit.

A simpler method of clamp timing employs the AD9883 internal clamp timing generator. The Clamp Placement register is programmed with the number of pixel times that should pass after the trailing edge of HSYNC before clamping starts. A second register (Clamp Duration) sets the duration of the clamp. These are both 8-bit values, providing considerable flexibility in clamp generation. The clamp timing is referenced to the trailing edge of Hsync because, though Hsync duration can vary widely, the back porch (black reference) always follows Hsync. A good starting point for establishing clamping is to set the clamp placement to  $09\text{h}$  (providing 9 pixel periods for the graphics signal to stabilize after sync) and set the clamp duration to  $14\text{h}$  (giving the clamp 20 pixel periods to reestablish the black reference).

Clamping is accomplished by placing an appropriate charge on the external input coupling capacitor. The value of this capacitor affects the performance of the clamp. If it is too small, there will be a significant amplitude change during a horizontal line time (between clamping intervals). If the capacitor is too large, then it will take excessively long for the clamp to recover from a large change in incoming signal offset. The recommended value ( $47\ \text{nF}$ ) results in recovering from a step error of  $100\ \text{mV}$  to within  $1/2\ \text{LSB}$  in 10 lines with a clamp duration of 20 pixel periods on a  $60\ \text{Hz}$  SXGA signal.

### YUV Clamping

YUV graphic signals are slightly different from RGB signals in that the dc reference level (black level in RGB signals) can be at the midpoint of the graphics signal rather than the bottom. For these signals it can be necessary to clamp to the midscale range of the A/D converter range ( $80\text{h}$ ) rather than bottom of the A/D converter range ( $00\text{h}$ ).

Clamping to midscale rather than ground can be accomplished by setting the clamp select bits in the serial bus register. Each of the three converters has its own selection bit so that they can be clamped to either midscale or ground independently. These bits are located in register  $10\text{h}$  and are Bits 0–2. The midscale reference voltage that each A/D converter clamps to is provided on the MIDSCV pin, (Pin 37). This pin should be bypassed to ground with a  $0.1\ \mu\text{F}$  capacitor, (even if midscale clamping is not required).



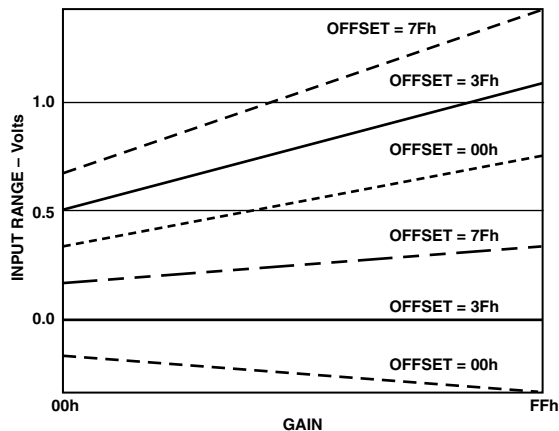


Figure 2. Gain and Offset Control

**Gain and Offset Control**

The AD9883 can accommodate input signals with inputs ranging from 0.5 V to 1.0 V full scale. The full-scale range is set in three 8-bit registers (Red Gain, Green Gain, and Blue Gain).

Note that *increasing* the gain setting results in an image with *less* contrast.

The offset control shifts the entire input range, resulting in a change in image brightness. Three 7-bit registers (Red Offset, Green Offset, Blue Offset) provide independent settings for each channel.

The offset controls provide a  $\pm 63$  LSB adjustment range. This range is connected with the full scale range, so if the input range is doubled (from 0.5 V to 1.0 V) then the offset step size is also doubled (from 2 mV per step to 4 mV per step).

Figure 2 illustrates the interaction of gain and offset controls. The magnitude of an LSB in offset adjustment is proportional to the full-scale range, so changing the full-scale range also changes the offset. The change is minimal if the offset setting is near midscale. When changing the offset, the full-scale *range* is not affected, but the full-scale *level* is shifted by the same amount as the zero scale level.

**Sync-on-Green**

The Sync-on-Green input operates in two steps. First, it sets a baseline clamp level off of the incoming video signal with a negative peak detector. Second, it sets the sync trigger level to a programmable level (typically 150 mV) above the negative peak. The Sync-on-Green input must be ac-coupled to the green analog input through its own capacitor as shown below in Figure 3. The value of the capacitor must be  $1\text{ nF} \pm 20\%$ . If Sync-on-Green is not used, this connection is not required. (Note: The Sync on Green signal is always negative polarity.)

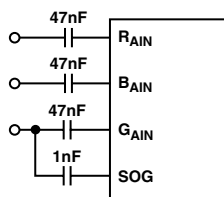


Figure 3. Typical Clamp Configuration

**Clock Generation**

A Phase Locked Loop (PLL) is employed to generate the pixel clock. In this PLL, the Hsync input provides a reference frequency. A Voltage Controlled Oscillator (VCO) generates a much higher pixel clock frequency. This pixel clock is divided by the PLL divide value (registers 01H and 02H) and phase compared with the Hsync input. Any error is used to shift the VCO frequency and maintain lock between the two signals.

The stability of this clock is a very important element in providing the clearest and most stable image. During each pixel time, there is a period during which the signal is slewing from the old pixel amplitude and settling at its new value. Then there is a time when the input voltage is stable, before the signal must slew to a new value (Figure 4). The ratio of the slewing time to the stable time is a function of the bandwidth of the graphics DAC and the bandwidth of the transmission system (cable and termination). It is also a function of the overall pixel rate. Clearly, if the dynamic characteristics of the system remain fixed, then the slewing and settling time is likewise fixed. This time must be subtracted from the total pixel period, leaving the stable period. At higher pixel frequencies, the total cycle time is shorter, and the stable pixel time becomes shorter as well.

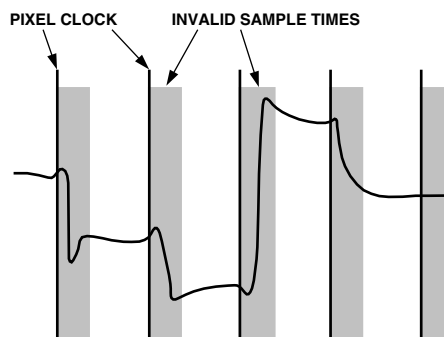


Figure 4. Pixel Sampling Times

Any jitter in the clock reduces the precision with which the sampling time can be determined, and must also be subtracted from the stable pixel time.

Considerable care has been taken in the design of the AD9883's clock generation circuit to minimize jitter. As indicated in Figure 5, the clock jitter of the AD9883 is less than 5% of the total pixel time in all operating modes, making the reduction in the valid sampling time due to jitter negligible.

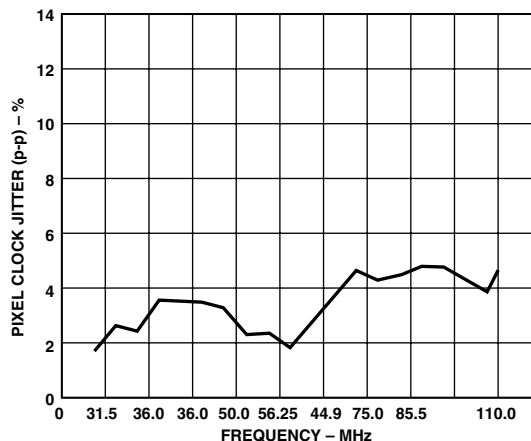


Figure 5. Pixel Clock Jitter vs. Frequency

# AD9883

The PLL characteristics are determined by the loop filter design, by the PLL Charge Pump Current and by the VCO range setting. The loop filter design is illustrated in Figure 6. Recommended settings of VCO range and charge pump current for VESA standard display modes are listed in Table V.

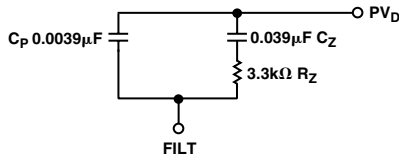


Figure 6. PLL Loop Filter Detail

Four programmable registers are provided to optimize the performance of the PLL. These registers are:

1. The 12-Bit Divisor Register. The input Hsync frequencies range from 15 kHz to 110 kHz. The PLL multiplies the frequency of the Hsync signal, producing pixel clock frequencies in the range of 12 MHz to 110 MHz. The Divisor Register controls the exact multiplication factor. This register may be set to any value between 221 and 4095. (The divide ratio that is actually used is the programmed divide ratio plus one.)
2. The 2-Bit VCO Range Register. To improve the noise performance of the AD9883, the VCO operating frequency range is divided into three overlapping regions. The VCO Range Register sets this operating range. The frequency ranges for the lowest and highest regions are shown in Table II.

Table II. VCO Frequency Ranges

| PV1 | PV0 | Pixel Clock Range (MHz) | K <sub>VCO</sub> Gain (MHz/V) |
|-----|-----|-------------------------|-------------------------------|
| 0   | 0   | 12–36                   | 150                           |
| 0   | 1   | 36–72                   | 150                           |
| 0   | 0   | 72–110                  | 150                           |

3. The 3-Bit Charge Pump Current register. This register allows the current that drives the low pass loop filter to be varied. The possible current values are listed in Table III.

Table III. Charge Pump Current/Control Bits

| Ip2 | Ip1 | Ip0 | Current (µA) |
|-----|-----|-----|--------------|
| 0   | 0   | 0   | 50           |
| 0   | 0   | 1   | 100          |
| 0   | 1   | 0   | 150          |
| 0   | 1   | 1   | 250          |
| 1   | 0   | 0   | 350          |
| 1   | 0   | 1   | 500          |
| 1   | 1   | 0   | 750          |
| 1   | 1   | 1   | 1500         |

4. The 5-Bit Phase Adjust Register. The phase of the generated sampling clock may be shifted to locate an optimum sampling point within a clock cycle. The Phase Adjust register provides 32 phase-shift steps of 11.25° each. The Hsync signal with an identical phase shift is available through the HSOUT pin.

The COAST pin is used to allow the PLL to continue to run at the same frequency, in the absence of the incoming HSYNC signal or during disturbances in Hsync (such as equalization pulses). This may be used during the vertical sync period, or any other time that the HSYNC signal is unavailable. The polarity of the COAST signal may be set through the Coast Polarity Register. Also, the polarity of the HSYNC signal may be set through the HSYNC Polarity Register. For both HSYNC and COAST, a value of “1” is active high.

## Power Management

The AD9883 uses the activity detect circuits, the active interface bits in the serial bus, the active interface override bits, and the power-down bit to determine the correct power state. There are three power states, full-power, seek mode, and power-down. Table IV summarizes how the AD9883 determines what power mode to be in and what circuitry is powered on/off in each of these modes. The power-down command has priority and then the automatic circuitry.

Table IV. Power-Down Mode Descriptions

| Mode       | Inputs Power-Down <sup>1</sup> | Sync Detect <sup>2</sup> | Powered On or Comments                                   |
|------------|--------------------------------|--------------------------|--|
| Full-Power | 1                              | 1                        | Everything   |
| Seek Mode  | 1                              | 0                        | Serial Bus, Sync Activity Detect, SOG, Bandgap Reference |
| Power-Down | 0                              | X                        | Serial Bus, Sync Activity Detect, SOG, Bandgap Reference |

## NOTES

<sup>1</sup>Power-Down is controlled via Bit 1 in serial bus register 0Fh.

<sup>2</sup>Sync Detect is determined by OR-ing Bits 7, 4, and 1 in serial bus register 14h.

Table V. Recommended VCO Range and Charge Pump Current Settings for Standard Display Formats

| Standard | Resolution  | Refresh Rate | Horizontal Frequency | Pixel Rate  | VCORNGE | CURRENT |
|----------|-------------|--------------|----------------------|-------------|---------|---------|
| VGA      | 640 × 480   | 60 Hz        | 31.5 kHz             | 25.175 MHz  | 00      | 101     |
|          |             | 72 Hz        | 37.7 kHz             | 31.500 MHz  | 00      | 110     |
|          |             | 75 Hz        | 37.5 kHz             | 31.500 MHz  | 00      | 110     |
|          |             | 85 Hz        | 43.3 kHz             | 36.000 MHz  | 00      | 110     |
| SVGA     | 800 × 600   | 56 Hz        | 35.1 kHz             | 36.000 MHz  | 00      | 110     |
|          |             | 60 Hz        | 37.9 kHz             | 40.000 MHz  | 01      | 100     |
|          |             | 72 Hz        | 48.1 kHz             | 50.000 MHz  | 01      | 100     |
|          |             | 75 Hz        | 46.9 kHz             | 49.500 MHz  | 01      | 100     |
|          |             | 85 Hz        | 53.7 kHz             | 56.250 MHz  | 01      | 101     |
| XGA      | 1024 × 768  | 60 Hz        | 48.4 kHz             | 65.000 MHz  | 01      | 110     |
|          |             | 70 Hz        | 56.5 kHz             | 75.000 MHz  | 10      | 100     |
|          |             | 75 Hz        | 60.0 kHz             | 78.750 MHz  | 10      | 100     |
|          |             | 80 Hz        | 64.0 kHz             | 85.500 MHz  | 10      | 100     |
|          |             | 85 Hz        | 68.3 kHz             | 94.500 MHz  | 10      | 100     |
| SXGA     | 1280 × 1024 | 60 Hz        | 64.0 kHz             | 108.000 MHz | 10      | 110     |

**Timing**

The following timing diagrams show the operation of the AD9883.

The Output Data Clock signal is created so that its rising edge always occurs between data transitions, and can be used to latch the output data externally.

There is a pipeline in the AD9883, which must be flushed before valid data becomes available. This means four data sets are presented before valid data is available.

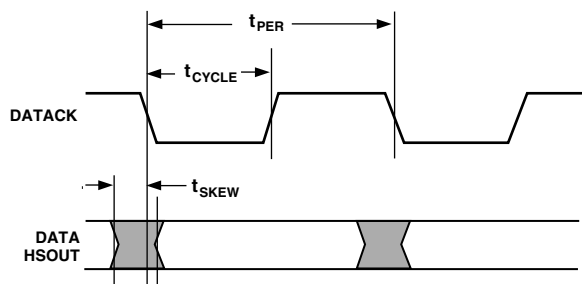


Figure 7. Output Timing

**Hsync Timing**

Horizontal Sync (Hsync) is processed in the AD9883 to eliminate ambiguity in the timing of the leading edge with respect to the phase-delayed pixel clock and data.

The Hsync input is used as a reference to generate the pixel sampling clock. The sampling phase can be adjusted, with respect to Hsync, through a full  $360^\circ$  in 32 steps via the Phase Adjust register (to optimize the pixel sampling time). Display systems use Hsync to align memory and display write cycles, so it is important to have a stable timing relationship between Hsync output (HSOUT) and data clock (DATAACK).

Three things happen to Horizontal Sync in the AD9883. First, the polarity of Hsync input is determined and will thus have a known output polarity. The known output polarity can be programmed either active high or active low (register 0EH, Bit 5). Second, HSOUT is aligned with DATAACK and data outputs. Third, the duration of HSOUT (in pixel clocks) is set via register 07H. HSOUT is the sync signal that should be used to drive the rest of the display system.

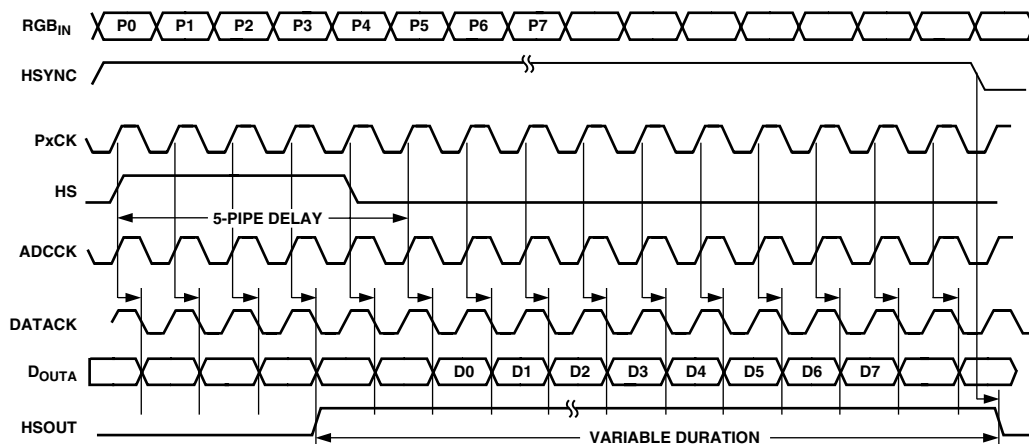


Figure 8. Timing Diagram

# AD9883

## Coast Timing

In most computer systems, the Hsync signal is provided continuously on a dedicated wire. In these systems, the COAST input and function are unnecessary, and should not be used and the pin should be permanently connected to the inactive state.

In some systems, however, Hsync is disturbed during the Vertical Sync period (Vsync). In some cases, Hsync pulses disappear. In other systems, such as those that employ Composite Sync (Csync) signals or embedded Sync-On-Green (SOG), Hsync includes equalization pulses or other distortions during Vsync. To avoid upsetting the clock generator during Vsync,

it is important to ignore these distortions. If the pixel clock PLL sees extraneous pulses, it will attempt to lock to this new frequency, and will have changed frequency by the end of the Vsync period. It will then take a few lines of correct Hsync timing to recover at the beginning of a new frame, resulting in a “tearing” of the image at the top of the display.

The COAST input is provided to eliminate this problem. It is an asynchronous input that disables the PLL input and allows the clock to free-run at its then-current frequency. The PLL can free-run for several lines without significant frequency drift.

## 2-Wire Serial Register Map

The AD9883 is initialized and controlled by a set of registers, which determine the operating modes. An external controller is employed to write and read the Control Registers through the 2-line serial interface port.

**Table VI. Control Register Map**

| Hex Address | Write and Read or Read Only | Bits | Default Value  | Register Name           | Function  |
|-------------|-----------------------------|------|--|-------------------------|---|
| 00H         | RO                          | 7:0  |  | Chip Revision           | An 8-bit register that represents the silicon revision level.<br>Revision 0 = 0000 0000   |
| 01H         | R $\overline{W}$            | 7:0  | 01101001   | PLL Div MSB             | This register is for Bits [11:4] of the PLL divider. Larger values mean the PLL operates at a faster rate. This register should be loaded first whenever a change is needed. (This will give the PLL more time to lock.) See Note 1 .   |
| 02H         | R $\overline{W}$            | 7:4  | 1101****   | PLL Div LSB             | Bits [7:4] LSBs of the PLL divider word. See Note 1 .   |
| 03H         | R $\overline{W}$            | 7:3  | 01*****<br>**001***  |                         | Bit [7:6] VCO Range. Selects VCO frequency range. (See PLL description.)<br>Bits [5:3] Charge Pump Current. Varies the current that drives the low-pass filter. (See PLL description.)  |
| 04H         | R $\overline{W}$            | 7:3  | 01000***   | Phase Adjust            | ADC Clock Phase Adjustment. Larger values mean more delay.<br>(1 LSB = T/32.)   |
| 05H         | R $\overline{W}$            | 7:0  | 10000000   | Clamp Placement         | Places the Clamp signal an integer number of clock periods after the trailing edge of the HSYNC signal.   |
| 06H         | R $\overline{W}$            | 7:0  | 10000000   | Clamp Duration          | Number of clock periods that the Clamp signal is actively clamping.   |
| 07H         | R $\overline{W}$            | 7:0  | 00100000   | Hsync Output Pulsewidth | Sets the number of pixel clocks that HSOUT will remain active.  |
| 08H         | R $\overline{W}$            | 7:0  | 10000000   | Red Gain                | Controls ADC input range (Contrast) of each respective channel. Bigger values give less contrast.   |
| 09H         | R $\overline{W}$            | 7:0  | 10000000   | Green Gain              |   |
| 0AH         | R $\overline{W}$            | 7:0  | 10000000   | Blue Gain               |   |
| 0BH         | R $\overline{W}$            | 7:1  | 1000000*   | Red Offset              | Controls dc offset (Brightness) of each respective channel. Bigger values decrease brightness.  |
| 0CH         | R $\overline{W}$            | 7:1  | 1000000*   | Green Offset            |   |
| 0DH         | R $\overline{W}$            | 7:1  | 1000000*   | Blue Offset             |   |
| 0EH         | R $\overline{W}$            | 7:0  | 0*****<br>*1*****<br>**0*****<br>***0****<br>****0***<br>*****0**<br>*****0*<br>*****0 | Sync Control            | Bit 7 – Hsync Polarity Override. (Logic 0 = Polarity determined by chip, Logic 1 = Polarity set by Bit 6 in register 0EH.)<br>Bit 6 – Hsync Input Polarity. Indicates polarity of incoming HSYNC signal to the PLL. (Logic 0 = Active Low, Logic 1 = Active High.)<br>Bit 5 – Hsync Output Polarity. (Logic 0 = Logic High Sync, Logic 1 = Logic Low Sync.)<br>Bit 4 – Active Hsync Override. If set to Logic 1, the user can select the Hsync to be used via Bit 3. If set to Logic 0, the active interface is selected via Bit 6 in register 14H.<br>Bit 3 – Active Hsync Select. Logic 0 selects Hsync as the active sync. Logic 1 selects Sync-on-Green as the active sync. Note: The indicated Hsync will be used only if Bit 4 is set to Logic 1 or if both syncs are active, (Bits 1, 7 = Logic 1 in register 14H).<br>Bit 2 – Vsync Output Invert. (Logic 0 = No Invert, Logic 1 = Invert.)<br>Bit 1 – Active Vsync Override. If set to Logic 1, the user can select the Vsync to be used via Bit 0. If set to Logic 0, the active interface is selected via Bit 3 in register 14H.<br>Bit 0 – Active Vsync Select. Logic 0 selects Raw Vsync as the output Vsync. Logic 1 selects Sync Separated Vsync as the output Vsync.<br>Note: The indicated Vsync will be used only if Bit 1 is set to Logic 1. |

**Table VI. Control Register Map (Continued)**

| Hex Address | Write and Read or Read Only | Bits | Default Value  | Register Name            | Function  |
|-------------|-----------------------------|------|--|--------------------------|---|
| 0FH         | R $\overline{W}$            | 7:1  | 0*****<br>*1*****<br>**0*****<br>***0****<br>****1***<br>*****1**<br>*****1* |                          | <p>Bit 7 – Clamp Function. Chooses between HSYNC for Clamp signal or another external signal to be used for clamping. (Logic 0 = HSYNC, Logic 1 = Clamp.)</p> <p>Bit 6 – Clamp Polarity. Valid only with external Clamp signal. (Logic 0 = active high, Logic 1 select active low.)</p> <p>Bit 5 – Coast Select. Must be set to 0.</p> <p>Bit 4 – Coast Polarity Override. (Logic 0 = Polarity determined by chip, Logic 1 = Polarity set by Bit 3 in register 0Fh.)</p> <p>Bit 3 – Coast Polarity. Changes polarity of external COAST signal. (Logic = 0 = active high, Logic 1 = active low.)</p> <p>Bit 2 – Seek Mode Override. (Logic 1 = allow low-power mode, Logic 0 = disallow low-power mode.)</p> <p>Bit 1 – <math>\overline{PWRDN}</math>. Full Chip Power Down, active low. (Logic 0 = Full Chip Power Down, Logic 1 = normal.)</p>   |
| 10H         | R $\overline{W}$            | 7:3  | 10111***<br>*****0**<br>*****0*<br>*****0                                    | Sync-on-Green Threshold  | <p>Sync-on-Green Threshold – Sets the voltage level of the Sync-on-Green slicer’s comparator.</p> <p>Bit 2 – Red Clamp Select – Logic 0 selects clamp to ground. Logic 1 selects clamp to midscale, (voltage at Pin 37).</p> <p>Bit 1 – Green Clamp Select – Logic 0 selects clamp to ground. Logic 1 selects clamp to midscale, (voltage at Pin 37).</p> <p>Bit 0 – Blue Clamp Select – Logic 0 selects clamp to ground. Logic 1 selects clamp to midscale, (voltage at Pin 37).</p>   |
| 11H         | R $\overline{W}$            | 7:0  | 00100000   | Sync Separator Threshold | Sync Separator Threshold – Sets how many internal 5 MHz clock periods the sync separator will count to before toggling high or low. This should be set to some number greater than the maximum Hsync or equalization pulsewidth.  |
| 12H         | R $\overline{W}$            | 7:0  | 00000000   | Pre-Coast                | Pre-Coast – Sets the number of Hsync periods that coast becomes active prior to Vsync.  |
| 13H         | R $\overline{W}$            | 7:0  | 00000000   | Post-Coast               | Post-Coast – Sets the number of Hsync periods that coast stays active following Vsync.  |
| 14H         | RO                          | 7:0  |  | Sync Detect              | <p>Bit 7 – Hsync detect. It is set to Logic 1 if Hsync is present on the analog interface, else it is set to Logic 0.</p> <p>Bit 6 – AHS: Active Hsync. This bit indicates which analog Hsync is being used. (Logic 0 = Hsync input pin, Logic 1 = Hsync from sync-on-green).</p> <p>Bit 5 – Input Hsync Polarity Detect. (Logic 0 = Active Low, Logic 1 = Active High.)</p> <p>Bit 4 – Vsync detect. It is set to Logic 1 if V-sync is present on the analog interface, else it is set to Logic 0.</p> <p>Bit 3 – AVS: Active Vsync. This bit indicates which analog Vsync is being used. (Logic 0 = Vsync input pin, Logic 1 = Vsync from sync separator).</p> <p>Bit 2 – Output Vsync Polarity Detect. (Logic 0 = Active Low, Logic 1 = Active High.)</p> <p>Bit 1 – Sync-on-Green detect. It is set to Logic 1 if sync is present on the green video input, else it is set to 0.</p> <p>Bit 0 – Input Coast Polarity Detect. (Logic 0 = active low, Logic 1 = active high.)</p> |
| 15H         | R $\overline{W}$            | 7:0  |  | Test Register            | Reserved for future use.  |
| 16H         | R $\overline{W}$            | 7:0  |  | Test Register            | Reserved for future use.  |
| 17H         | RO                          | 7:0  |  | Test Register            | Reserved for future use.  |
| 18H         | RO                          | 7:0  |  | Test Register            | Reserved for future use.  |

**NOTE**

<sup>1</sup>The AD9883 only updates the PLL divide ratio when the LSBs are written to (register 02h).

## TWO-WIRE SERIAL CONTROL REGISTER DETAIL CHIP IDENTIFICATION

### 00 7-0 Chip Revision

An 8-bit register which represents the silicon revision.  
Revision 0 = 0000 0000, Revision 1 = 0000 0001,  
Revision 2 = 0000 0010.

## PLL DIVIDER CONTROL

### 01 7-0 PLL Divide Ratio MSBs

The eight most significant bits of the 12-bit PLL divide ratio PLLDIV. (The operational divide ratio is PLLDIV + 1.)

The PLL derives a master clock from an incoming Hsync signal. The master clock frequency is then divided by an integer value, such that the output is phase-locked to Hsync. This PLLDIV value determines the number of pixel times (pixels plus horizontal blanking overhead) per line. This is typically 20% to 30% more than the number of active pixels in the display.

The 12-bit value of the PLL divider supports divide ratios from 2 to 4095. The higher the value loaded in this register, the higher the resulting clock frequency with respect to a fixed Hsync frequency.

VESA has established some standard timing specifications, which will assist in determining the value for PLLDIV as a function of horizontal and vertical display resolution and frame rate (Table V).

However, many computer systems do not conform precisely to the recommendations, and these numbers should be used only as a guide. The display system manufacturer should provide automatic or manual means for optimizing PLLDIV. An incorrectly set PLLDIV will usually produce one or more vertical noise bars on the display. The greater the error, the greater the number of bars produced.

The power-up default value of PLLDIV is 1693 (PLLDIVM = 69h, PLLDIVL = D<sub>x</sub>h).

The AD9883 updates the full divide ratio only when the LSBs are changed. Writing to the MSB by itself will not trigger an update.

### 02 7-4 PLL Divide Ratio LSBs

The four least significant bits of the 12-bit PLL divide ratio PLLDIV. The operational divide ratio is PLLDIV + 1.

The power-up default value of PLLDIV is 1693 (PLLDIVM = 69h, PLLDIVL = D<sub>x</sub>h).

The AD9883 updates the full divide ratio only when this register is written to.

## CLOCK GENERATOR CONTROL

### 03 7-6 VCO Range Select

Two bits that establish the operating range of the clock generator.

VCORNGE must be set to correspond with the desired operating frequency (incoming pixel rate).

The PLL gives the best jitter performance at high frequencies. For this reason, in order to output low pixel rates and still get good jitter performance, the PLL actually operates at a higher frequency but then divides down the clock rate afterwards. Table VII shows the pixel rates

for each VCO range setting. The PLL output divisor is automatically selected with the VCO range setting.

Table VII. VCO Ranges

| VCORNGE | Pixel Rate Range |
|---------|------------------|
| 00      | 12–36            |
| 01      | 36–72            |
| 10      | 72–110           |

The power-up default value is = 01.

### 03 5-3 CURRENT Charge Pump Current

Three bits that establish the current driving the loop filter in the clock generator.

Table VIII. Charge Pump Currents

| CURRENT | Current (μA) |
|---------|--------------|
| 000     | 50           |
| 001     | 100          |
| 010     | 150          |
| 011     | 250          |
| 100     | 350          |
| 101     | 500          |
| 110     | 750          |
| 111     | 1500         |

CURRENT must be set to correspond with the desired operating frequency (incoming pixel rate).

The power-up default value is CURRENT = 001.

### 04 7-3 Clock Phase Adjust

A five-bit value that adjusts the sampling phase in 32 steps across one pixel time. Each step represents an 11.25° shift in sampling phase.

The power-up default value is 16.

## CLAMP TIMING

### 05 7-0 Clamp Placement

An eight-bit register that sets the position of the internally generated clamp.

When Clamp Function (Register 0Fh, Bit 7) = 0, a clamp signal is generated internally, at a position established by the clamp placement and for a duration set by the clamp duration. Clamping is started (Clamp Placement) pixel periods after the trailing edge of Hsync. The clamp placement may be programmed to any value between 1 and 255. Values of 0, 1, 2, 4, 8, 16, 32, 64, and 128 are not supported.

The clamp should be placed during a time that the input signal presents a stable black-level reference, usually the back porch period between Hsync and the image.

When Clamp Function = 1, this register is ignored.

### 06 7-0 Clamp Duration

An 8-bit register that sets the duration of the internally generated clamp.

For the best results, the clamp duration should be set to include the majority of the black reference signal time that follows the Hsync signal trailing edge. Insufficient clamping time can produce brightness changes at the top of the

# AD9883

screen, and a slow recovery from large changes in the Average Picture Level (APL), or brightness.

When Clamp Function = 1, this register is ignored.

## Hsync PULSEWIDTH

### 07 7-0 Hsync Output Pulsewidth

An 8-bit register that sets the duration of the Hsync output pulse.

The leading edge of the Hsync output is triggered by the internally generated, phase-adjusted PLL feedback clock. The AD9883 then counts a number of pixel clocks equal to the value in this register. This triggers the trailing edge of the Hsync output, which is also phase-adjusted.

## INPUT GAIN

### 08 7-0 Red Channel Gain Adjust

An 8-bit word that sets the gain of the RED channel. The AD9883 can accommodate input signals with a full-scale range of between 0.5 V and 1.5 V p-p. Setting REDGAIN to 255 corresponds to an input range of 1.0 V. A REDGAIN of 0 establishes an input range of 0.5 V. Note that INCREASING REDGAIN results in the picture having LESS CONTRAST (the input signal uses fewer of the available converter codes). See Figure 2.

### 09 7-0 Green Channel Gain Adjust

An 8-bit word that sets the gain of the GREEN channel. See REDGAIN (08).

### 0A 7-0 Blue Channel Gain Adjust

An 8-bit word that sets the gain of the BLUE channel. See REDGAIN (08).

## INPUT OFFSET

### 0B 7-1 Red Channel Offset Adjust

A 7-bit offset binary word that sets the dc offset of the RED channel. One LSB of offset adjustment equals approximately one LSB change in the ADC offset. Therefore, the absolute magnitude of the offset adjustment scales as the gain of the channel is changed. A nominal setting of 31 results in the channel nominally clamping the back porch (during the clamping interval) to Code 00. An offset setting of 63 results in the channel clamping to Code 31 of the ADC. An offset setting of 0 clamps to Code -31 (off the bottom of the range). Increasing the value of Red Offset DECREASES the brightness of the channel.

### 0C 7-1 Green Channel Offset Adjust

A 7-bit offset binary word that sets the dc offset of the GREEN channel. See REDOFST (0B).

### 0D 7-1 Blue Channel Offset Adjust

A 7-bit offset binary word that sets the dc offset of the GREEN channel. See REDOFST (0B).

## MODE CONTROL 1

### 0E 7 Hsync Input Polarity Override

This register is used to override the internal circuitry that determines the polarity of the Hsync signal going into the PLL.

**Table IX. Hsync Input Polarity Override Settings**

| Override Bit | Function                          |
|--------------|-----------------------------------|
| 0            | Hsync Polarity Determined by Chip |
| 1            | Hsync Polarity Determined by User |

The default for Hsync polarity override is 0, (polarity determined by chip).

### 0E 6 HSPOL Hsync Input Polarity

A bit that must be set to indicate the polarity of the Hsync signal that is applied to the PLL Hsync input.

**Table X. Hsync Input Polarity Settings**

| HSPOL | Function    |
|-------|-------------|
| 0     | Active LOW  |
| 1     | Active HIGH |

Active LOW means the leading edge of the Hsync pulse is negative-going. All timing is based on the leading edge of Hsync, which is the FALLING edge. The rising edge has no effect.

Active high is inverted from the traditional Hsync, with a positive-going pulse. This means that timing will be based on the leading edge of Hsync, which is now the RISING edge.

The device will operate if this bit is set incorrectly, but the internally generated clamp position, as established by Clamp Placement (Register 05h), will not be placed as expected, which may generate clamping errors.

The power-up default value is HSPOL = 1.

### 0E 5 Hsync Output Polarity

One bit that determines the polarity of the Hsync output and the SOG output. Table XI shows the effect of this option. SYNC indicates the logic state of the sync pulse.

**Table XI. Hsync Output Polarity Settings**

| Setting | SYNC                        |
|---------|-----------------------------|
| 0       | Logic 1 (Positive Polarity) |
| 1       | Logic 0 (Negative Polarity) |

The default setting for this register is 0.

### 0E 4 Active Hsync Override

This bit is used to override the automatic Hsync selection. To override, set this bit to Logic 1. When overriding, the active Hsync is set via Bit 3 in this register.

**Table XII. Active Hsync Override Settings**

| Override | Result  |
|----------|---|
| 0        | Auto Determines the Active Interface            |
| 1        | Override, Bit 3 Determines the Active Interface |

The default for this register is 0.



**0E 3 Active Hsync Select**

This bit is used under two conditions. It is used to select the active Hsync when the override bit is set, (Bit 4). Alternately, it is used to determine the active Hsync when not overriding but both Hsyncs are detected.

**Table XIII. Active HSYNC Select Settings**

| Select | Result              |
|--------|---------------------|
| 0      | HSYNC Input         |
| 1      | Sync-on-Green Input |

The default for this register is 0.

**0E 2 Vsync Output Invert**

One bit that can invert the polarity of the Vsync output. Table XIV shows the effect of this option.

**Table XIV. Vsync Output Invert Settings**

| Setting | Vsync Output |
|---------|--------------|
| 1       | No Invert    |
| 0       | Invert       |

The default setting for this register is 1.

**0E 1 Active Vsync Override**

This bit is used to override the automatic Vsync selection. To override, set this bit to Logic 1. When overriding, the active interface is set via Bit 0 in this register.

**Table XV. Active Vsync Override Settings**

| Override | Result                                      |
|----------|---|
| 0        | Auto Determine the Active Vsync             |
| 1        | Override, Bit 0 Determines the Active Vsync |

The default for this register is 0.

**0E 0 Active Vsync Select**

This bit is used to select the active Vsync when the override bit is set, (Bit 1).

**Table XVI. Active Vsync Select Settings**

| Select | Result                |
|--------|-----------------------|
| 0      | Vsync Input           |
| 1      | Sync Separator Output |

The default for this register is 0.

**0F 7 Clamp Input Signal Source**

A bit that determines the source of clamp timing.

**Table XVII. Clamp Input Signal Source Settings**

| Clamp Function | Function                         |
|----------------|----------------------------------|
| 0              | Internally Generated Clamp       |
| 1              | Externally-Provided Clamp Signal |

A 0 enables the clamp timing circuitry controlled by clamp placement and clamp duration. The clamp position and duration is counted from the leading edge of Hsync.

A 1 enables the external CLAMP input pin. The three channels are clamped when the CLAMP signal is active. The polarity of CLAMP is determined by the Clamp Polarity bit (Register 0Fh, Bit 6).

The power-up default value is Clamp Function = 0.

**0F 6 Clamp Input Signal Polarity**

A bit that determines the polarity of the externally provided CLAMP signal.

**Table XVIII. Clamp Input Signal Polarity Settings**

| Clamp Function | Function    |
|----------------|-------------|
| 1              | Active LOW  |
| 0              | Active HIGH |

A Logic 1 means that the circuit will clamp when CLAMP is HIGH, and it will pass the signal to the ADC when CLAMP is LOW.

A Logic 0 means that the circuit will clamp when CLAMP is LOW, and it will pass the signal to the ADC when CLAMP is HIGH.

The power-up default value is Clamp Polarity = 1.

**0F 5 Coast Select**

This bit must be set to 0.

**0F 4 Coast Input Polarity Override**

This register is used to override the internal circuitry that determines the polarity of the coast signal going into the PLL.

**Table XIX. Coast Input Polarity Override Settings**

| Override Bit | Result                            |
|--------------|-----------------------------------|
| 0            | Coast Polarity Determined by Chip |
| 1            | Coast Polarity Determined by User |

The default for coast polarity override is 0.

**0F 3 Coast Input Polarity**

A bit to indicate the polarity of the COAST signal that is applied to the PLL COAST input.

**Table XX. Coast Input Polarity Settings**

| Coast Polarity | Function    |
|----------------|-------------|
| 0              | Active LOW  |
| 1              | Active HIGH |

Active LOW means that the clock generator will ignore Hsync inputs when COAST is LOW, and continue operating at the same nominal frequency until COAST goes HIGH.

Active HIGH means that the clock generator will ignore Hsync inputs when COAST is HIGH, and continue operating at the same nominal frequency until COAST goes LOW.

This function needs to be used along with the COAST polarity override bit, (Bit 4).

The power-up default value is 1.

**0F 2 Seek Mode Override**

This bit is used to either allow or disallow the low-power mode. The low-power mode (seek mode) occurs when there are no signals on any of the Sync inputs.

**Table XXI. Seek Mode Override Settings**

| Select | Result             |
|--------|--------------------|
| 1      | Allow Seek Mode    |
| 0      | Disallow Seek Mode |

The default for this register is 1.

**0F 1 PWRDN**

This bit is used to put the chip in full power down. See the section on power management for details of which blocks are actually powered down.

**Table XXII. Power-Down Settings**

| Select | Result           |
|--------|------------------|
| 0      | Power-Down       |
| 1      | Normal operation |

The default for this register is 1.

**10 7-3 Sync-on-Green Slicer Threshold**

This register allows the comparator threshold of the Sync-on-Green slicer to be adjusted. This register adjusts it in steps of 10 mV, with the minimum setting equaling 10 mV and the maximum setting equaling 330 mV.

The default setting is 23 and corresponds to a threshold value of 0.15 V.

**10 2 Red Clamp Select**

A bit that determines whether the red channel is clamped to ground or to midscale. For RGB video, all three channels are referenced to ground. For YcbCr (or YUV), the Y channel is referenced to ground, but the CbCr channels are referenced to midscale. Clamping to midscale actually clamps to Pin 37.

**Table XXIII. Red Clamp Select Settings**

| Clamp | Function                    |
|-------|-----------------------------|
| 0     | Clamp to Ground             |
| 1     | Clamp to Midscale, (Pin 37) |

The default setting for this register is 0.

**10 1 Green Clamp Select**

A bit that determines whether the green channel is clamped to ground or to midscale.

**Table XXIV. Green Clamp Select Settings**

| Clamp | Function                    |
|-------|-----------------------------|
| 0     | Clamp to Ground             |
| 1     | Clamp to Midscale, (Pin 37) |

The default setting for this register is 0.

**10 0 Blue Clamp Select**

A bit that determines whether the blue channel is clamped to ground or to midscale.

**Table XXV. Blue Clamp Select Settings**

| Clamp | Function                    |
|-------|-----------------------------|
| 0     | Clamp to Ground             |
| 1     | Clamp to Midscale, (Pin 37) |

The default setting for this register is 0.

**11 7:0 Sync Separator Threshold**

This register is used to set the responsiveness of the sync separator. It sets how many internal 5 MHz clock periods the sync separator must count to before toggling high or low. It works like a low-pass filter to ignore Hsync pulses in order to extract the Vsync signal. This register should be set to some number greater than the maximum Hsync pulse width. Note: the sync separator threshold uses an internal dedicated clock with a frequency of approximately 5 MHz.

The default for this register is 32.

**12 7-0 Pre-Coast**

This register allows the coast signal to be applied prior to the Vsync signal. This is necessary in cases where pre-equalization pulses are present. The step size for this control is one Hsync period.

The default is 0.

**13 7-0 Post-Coast**

This register allows the coast signal to be applied following to the Vsync signal. This is necessary in cases where post-equalization pulses are present. The step size for this control is one Hsync period.

The default is 0.

**14 7 Hsync Detect**

This bit is used to indicate when activity is detected on the Hsync input pin, (Pin 30). If Hsync is held high or low, activity will not be detected.

**Table XXVI. Hsync Detection Results**

| Detect | Function             |
|--------|----------------------|
| 0      | No Activity Detected |
| 1      | Activity Detected    |

The sync processing block diagram shows where this function is implemented.

**14 6 AHS – Active Hsync**

This bit indicates which Hsync input source is being used by the PLL (Hsync input or sync-on-green). Bits 7 and 1 in this register are what determine which source is used. If both Hsync and SOG are detected, the user can determine which has priority via Bit 3 in register 0EH. The user can override this function via Bit 4 in register 0EH. If the override bit is set to Logic 1, then this bit will be forced to whatever the state of Bit 3 in register 0EH is set to.

Table XXVII. Active Hsync Results

| Bit 7<br>(Hsync<br>Detect) | Bit 1<br>(SOG<br>Detect) | Bit 4, Reg<br>0EH<br>(Override) | AHS          |
|----------------------------|--------------------------|---------------------------------|--------------|
| 0                          | 0                        | 0                               | Bit 3 in 0EH |
| 0                          | 1                        | 0                               | 1            |
| 1                          | 0                        | 0                               | 0            |
| 1                          | 1                        | 0                               | Bit 3 in 0EH |
| X                          | X                        | 1                               | Bit 3 in 0EH |

AHS = 0 means use the Hsync pin input for Hsync.

AHS = 1 means use the SOG pin input for Hsync.

The override bit is in register 0EH, Bit 4.

#### 14 5 Detected Hsync Input Polarity Status

This bit reports the status of the Hsync input polarity detection circuit. It can be used to determine the polarity of the Hsync input. The detection circuit's location is shown in the Sync Processing Block Diagram.

Table XXVIII. Detected Hsync Input Polarity Status

| Hsync Polarity Status | Result                     |
|-----------------------|----------------------------|
| 0                     | Hsync Polarity Is Negative |
| 1                     | Hsync Polarity Is Positive |

#### 14 4 Vsync Detect

This bit is used to indicate when activity is detected on the Vsync input pin, (Pin 31). If Vsync is held high or low, activity will not be detected.

Table XXIX. Vsync Detection Results

| Detect | Function             |
|--------|----------------------|
| 0      | No Activity Detected |
| 1      | Activity Detected    |

The Sync Processing Block Diagram shows where this function is implemented.

#### 14 3 AVS – Active Vsync

This bit indicates which Vsync source is being used; the Vsync input or output from the sync separator. Bit 4 in this register is what determines which is active. If both Vsync and SOG are detected the user can determine which has priority via Bit 0 in register 0EH. The user can override this function via Bit 1 in register 0EH. If the override bit is set to Logic 1, then this bit will be forced to whatever the state of Bit 0 in register 0EH is set to.

Table XXX. Active Vsync Results

| Bit 5<br>(Vsync Detect) | Override | AVS          |
|-------------------------|----------|--------------|
| 0                       | 0        | 0            |
| 1                       | 0        | 1            |
| X                       | 1        | Bit 0 in 0EH |

AVS = 0 means Sync separator.

AVS = 1 means Vsync input.

The override bit is in register 0EH, Bit 1.

#### 14 2 Detected Vsync Output Polarity Status

This bit reports the status of the Vsync output polarity detection circuit. It can be used to determine the polarity of the Vsync output. The detection circuit's location is shown in the Sync Processing Block Diagram.

Table XXXI. Detected Vsync Output Polarity Status

| Vsync Polarity Status | Result                        |
|-----------------------|-------------------------------|
| 0                     | Vsync Polarity Is Active High |
| 1                     | Vsync Polarity Is Active Low  |

#### 14 1 Sync-on-Green Detect

This bit is used to indicate when sync activity is detected on the sync-on-green input pin, (Pin 49).

Table XXXII. Sync-on-Green Detection Results

| Detect | Function             |
|--------|----------------------|
| 0      | No Activity Detected |
| 1      | Activity Detected    |

The sync processing block diagram shows where this function is implemented.

#### 14 0 Detected COAST Polarity Status

This bit reports the status of the coast input polarity detection circuit. It can be used to determine the polarity of the coast input. The detection circuit's location is shown in the Sync Processing Block Diagram.

Table XXXIII. Detected Coast Input Polarity Status

| Hsync Polarity Status | Result                     |
|-----------------------|----------------------------|
| 0                     | Coast Polarity Is Negative |
| 1                     | Coast Polarity Is Positive |

# AD9883

## 2-WIRE SERIAL CONTROL PORT

A 2-wire serial interface control interface is provided. Up to four AD9883 devices may be connected to the 2-wire serial interface, with each device having a unique address.

The 2-wire serial interface comprises a clock (SCL) and a bidirectional data (SDA) pin. The Analog Flat Panel Interface acts as a slave for receiving and transmitting data over the serial interface. When the serial interface is not active, the logic levels on SCL and SDA are pulled HIGH by external pull-up resistors.

Data received or transmitted on the SDA line must be stable for the duration of the positive-going SCL pulse. Data on SDA must change only when SCL is LOW. If SDA changes state while SCL is HIGH, the serial interface interprets that action as a start or stop sequence.

There are six components to serial bus operation:

- Start Signal
- Slave Address Byte
- Base Register Address Byte
- Data Byte to Read or Write
- Stop Signal

When the serial interface is inactive (SCL and SDA are HIGH) communications are initiated by sending a start signal. The start signal is a HIGH-to-LOW transition on SDA while SCL is HIGH. This signal alerts all slaved devices that a data transfer sequence is coming.

The first eight bits of data transferred after a start signal comprising a 7-bit slave address (the first seven bits) and a single  $R/\overline{W}$  bit (the eighth bit). The  $R/\overline{W}$  bit indicates the direction of data transfer, read from (1) or write to (0) the slave device. If the transmitted slave address matches the address of the device (set by the state of the SA<sub>1-0</sub> input pins in Table XXXIV, the AD9883 acknowledges by bringing SDA LOW on the 9th SCL pulse. If the addresses do not match, the AD9883 does not acknowledge.

Table XXXIV. Serial Port Addresses

| Bit 7<br>A <sub>6</sub><br>(MSB) | Bit 6<br>A <sub>5</sub> | Bit 5<br>A <sub>4</sub> | Bit 4<br>A <sub>3</sub> | Bit 3<br>A <sub>2</sub> | Bit 2<br>A <sub>1</sub> | Bit 1<br>A <sub>0</sub> |
|----------------------------------|-------------------------|-------------------------|-------------------------|-------------------------|-------------------------|-------------------------|
| 1                                | 0                       | 0                       | 1                       | 1                       | 0                       | 0                       |
| 1                                | 0                       | 0                       | 1                       | 1                       | 0                       | 1                       |

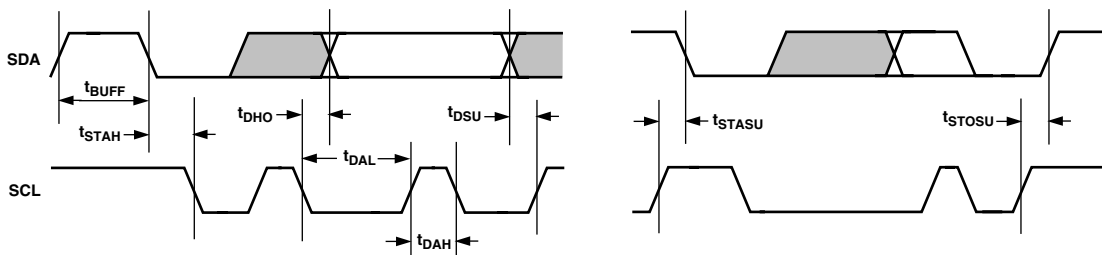


Figure 9. Serial Port Read/Write Timing

## Data Transfer via Serial Interface

For each byte of data read or written, the MSB is the first bit of the sequence.

If the AD9883 does not acknowledge the master device during a write sequence, the SDA remains HIGH so the master can generate a stop signal. If the master device does not acknowledge the AD9883 during a read sequence, the AD9883 interprets this as “end of data.” The SDA remains HIGH so the master can generate a stop signal.

Writing data to specific control registers of the AD9883 requires that the 8-bit address of the control register of interest be written after the slave address has been established. This control register address is the base address for subsequent write operations. The base address autoincrements by one for each byte of data written after the data byte intended for the base address. If more bytes are transferred than there are available addresses, the address will not increment and remain at its maximum value of 14h. Any base address higher than 14h will not produce an acknowledge signal.

Data is read from the control registers of the AD9883 in a similar manner. Reading requires two data transfer operations:

The base address must be written with the  $R/\overline{W}$  bit of the slave address byte LOW to set up a sequential read operation.

Reading (the  $R/\overline{W}$  bit of the slave address byte HIGH) begins at the previously established base address. The address of the read register autoincrements after each byte is transferred.

To terminate a read/write sequence to the AD9883, a stop signal must be sent. A stop signal comprises a LOW-to-HIGH transition of SDA while SCL is HIGH.

A repeated start signal occurs when the master device driving the serial interface generates a start signal without first generating a stop signal to terminate the current communication. This is used to change the mode of communication (read, write) between the slave and master without releasing the serial interface lines.

**Serial Interface Read/Write Examples**

Write to one control register

- Start Signal
- Slave Address Byte (R/W Bit = LOW)
- Base Address Byte
- Data Byte to Base Address
- Stop Signal

Write to four consecutive control registers

- Start Signal
- Slave Address Byte (R/W Bit = LOW)
- Base Address Byte
- Data Byte to Base Address
- Data Byte to (Base Address + 1)
- Data Byte to (Base Address + 2)
- Data Byte to (Base Address + 3)
- Stop Signal

Read from one control register

- Start Signal
- Slave Address Byte (R/W Bit = LOW)
- Base Address Byte
- Start signal
- Slave Address byte (R/W bit = HIGH)
- Data Byte from Base Address
- Stop Signal

Read from four consecutive control registers

- Start Signal
- Slave Address Byte (R/W Bit = LOW)
- Base Address Byte
- Start Signal
- Slave Address Byte (R/W Bit = HIGH)
- Data Byte from Base Address
- Data Byte from (Base Address + 1)
- Data Byte from (Base Address + 2)
- Data Byte from (Base Address + 3)
- Stop Signal



Figure 10. Serial Interface—Typical Byte Transfer

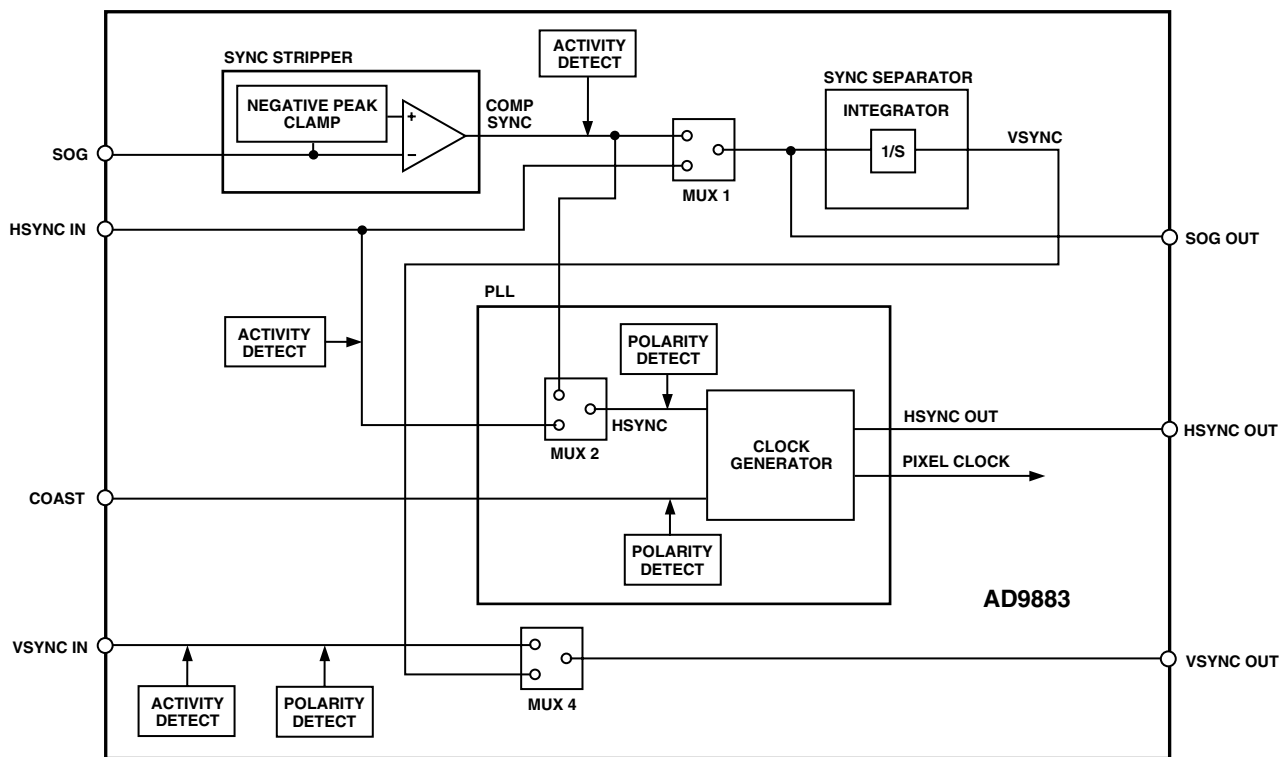


Figure 11. Sync Processing Block Diagram

# AD9883

**Table XXXIV. Control of the Sync Block Muxes via the Serial Register**

| Mux Nos. | Serial Bus Control Bit | Control Bit State | Result                     |
|----------|------------------------|-------------------|----------------------------|
| 1 and 2  | 0EH: Bit 3             | 0                 | Pass Hsync                 |
|          |                        | 1                 | Pass Sync-on-Green         |
| 4        | 0EH: Bit 0             | 0                 | Pass Vsync                 |
|          |                        | 1                 | Pass Sync Separator Signal |

## Sync Slicer

The purpose of the sync slicer is to extract the sync signal from the green graphics channel. A sync signal is not present on all graphics systems, only those with “sync-on-green”. The sync signal is extracted from the green channel in a two step process. First, the SOG input is clamped to its negative peak, (typically 0.3 V below the black level). Next, the signal goes to a comparator with a variable trigger level, nominally 0.15 V above the clamped level. The “sliced” sync is typically a composite sync signal containing both Hsync and Vsync.

## Sync Separator

A sync separator extracts the Vsync signal from a composite sync signal. It does this through a low-pass filter-like or integrator-like operation. It works on the idea that the Vsync signal stays active for a much longer time than the Hsync signal, so it rejects any signal shorter than a threshold value, which is somewhere between an Hsync pulsewidth and a Vsync pulsewidth.

The sync separator on the AD9883 is simply an 8-bit digital counter with a 5 MHz clock. It works independently of the polarity of the composite sync signal. (Polarities are determined elsewhere on the chip.) The basic idea is that the counter counts up when Hsync pulses are present. But since Hsync pulses are relatively short in width, the counter only reaches a value of N before the pulse ends. It then starts counting down eventually reaching 0 before the next Hsync pulse arrives. The specific value of N will vary for different video modes, but will always be less than 255. For example with a 1  $\mu$ s width Hsync, the counter will only reach 5 (1  $\mu$ s/200 ns = 5). Now, when Vsync is present on the composite sync the counter will also count up. However, since the Vsync signal is much longer, it will count to a higher number M. For most video modes, M will be at least 255. So, Vsync can be detected on the composite sync signal by detecting when the counter counts to higher than N. The specific count that triggers detection (T) can be programmed through the serial register (0fh).

Once Vsync has been detected, there is a similar process to detect when it goes inactive. At detection, the counter first resets to 0, then starts counting up when Vsync goes away. Similar to the previous case, it will detect the absence of Vsync when the counter reaches the threshold count (T). In this way, it will reject noise and/or serration pulses. Once Vsync is detected to be absent, the counter resets to 0 and begins the cycle again.

## PCB LAYOUT RECOMMENDATIONS

The AD9883 is a high-precision, high-speed analog device. As such, to get the maximum performance out of the part it is important to have a well laid-out board. The following is a guide for designing a board using the AD9883.

### Analog Interface Inputs

Using the following layout techniques on the graphics inputs is extremely important.

Minimize the trace length running into the graphics inputs. This is accomplished by placing the AD9883 as close as possible to the graphics VGA connector. Long input trace lengths are undesirable because they will pick up more noise from the board and other external sources.

Place the 75  $\Omega$  termination resistors (see Figure 1) as close to the AD9883 chip as possible. Any additional trace length between the termination resistors and the input of the AD9883 increases the magnitude of reflections, which will corrupt the graphics signal.

Use 75  $\Omega$  matched impedance traces. Trace impedances other than 75  $\Omega$  will also increase the chance of reflections.

The AD9883 has very high input bandwidth, (500 MHz). While this is desirable for acquiring a high resolution PC graphics signal with fast edges, it means that it will also capture any high frequency noise present. Therefore, it is important to reduce the amount of noise that gets coupled to the inputs. Avoid running any digital traces near the analog inputs.

Due to the high bandwidth of the AD9883, sometimes low-pass filtering the analog inputs can help to reduce noise. (For many applications, filtering is unnecessary.) Experiments have shown that placing a series ferrite bead prior to the 75  $\Omega$  termination resistor is helpful in filtering out excess noise. Specifically, the part used was the # 2508051217Z0 from Fair-Rite, but each application may work best with a different bead value. Alternately, placing a 100  $\Omega$  to 120  $\Omega$  ohm resistor between the 75  $\Omega$  termination resistor and the input coupling capacitor can also benefit.

### Power Supply Bypassing

It is recommended to bypass each power supply pin with a 0.1  $\mu$ F capacitor. The exception is in the case where two or more supply pins are adjacent to each other. For these groupings of powers/grounds, it is only necessary to have one bypass capacitor. The fundamental idea is to have a bypass capacitor within about 0.5 cm of each power pin. Also, avoid placing the capacitor on the opposite side of the PC board from the AD9883, as that interposes resistive vias in the path.

The bypass capacitors should be physically located between the power plane and the power pin. Current should flow from the power plane => capacitor => power pin. Do not make the power connection between the capacitor and the power pin. Placing a via underneath the capacitor pads, down to the power plane, is generally the best approach.

It is particularly important to maintain low noise and good stability of  $PV_D$  (the clock generator supply). Abrupt changes in  $PV_D$  can result in similarly abrupt changes in sampling clock phase and frequency. This can be avoided by careful attention to regulation, filtering, and bypassing. It is highly desirable to provide separate regulated supplies for each of the analog circuitry groups ( $V_D$  and  $PVD$ ).

Some graphic controllers use substantially different levels of power when active (during active picture time) and when idle (during horizontal and vertical sync periods). This can result in a measurable change in the voltage supplied to the analog supply regulator, which can in turn produce changes in the regulated analog supply voltage. This can be mitigated by regulating the analog supply, or at least  $PV_{D}$ , from a different, cleaner, power source (for example, from a 12 V supply).

It is also recommend to use a single ground plane for the entire board. Experience has repeatedly shown that the noise performance is the same or better with a single ground plane. Using multiple ground planes can be detrimental because each separate ground plane is smaller, and long ground loops can result.

In some cases, using separate ground planes is unavoidable. For those cases, it is recommend to at least place a single ground plane under the AD9883. The location of the split should be at the receiver of the digital outputs. For this case it is even more important to place components wisely because the current loops will be much longer, (current takes the path of least resistance). An example of a current loop: power plane → AD9883 → digital output trace → digital data receiver → digital ground plane → analog ground plane.

#### **PLL**

Place the PLL loop filter components as close to the FILT pin as possible.

Do not place any digital or other high frequency traces near these components.

Use the values suggested in the data sheet with 10% tolerances or less.

#### **Outputs (Both Data and Clocks)**

Try to minimize the trace length that the digital outputs have to drive. Longer traces have higher capacitance, which require more current that causes more internal digital noise.

Shorter traces reduce the possibility of reflections.

Adding a series resistor of value 50  $\Omega$ –200  $\Omega$  can suppress reflections, reduce EMI, and reduce the current spikes inside of the AD9883. If series resistors are used, place them as close to the AD9883 pins as possible, (although try not to add vias or extra length to the output trace in order to get the resistors closer).

If possible, limit the capacitance that each of the digital outputs drives to less than 10 pF. This can easily be accomplished by keeping traces short and by connecting the outputs to only one device. Loading the outputs with excessive capacitance will increase the current transients inside of the AD9883 creating more digital noise on its power supplies.

#### **Digital Inputs**

The digital inputs on the AD9883 were designed to work with 3.3 V signals, but are tolerant of 5.0 V signals. So, no extra components need to be added if using 5.0 V logic.

Any noise that gets onto the Hsync input trace will add jitter to the system. Therefore, minimize the trace length and do not run any digital or other high frequency traces near it.

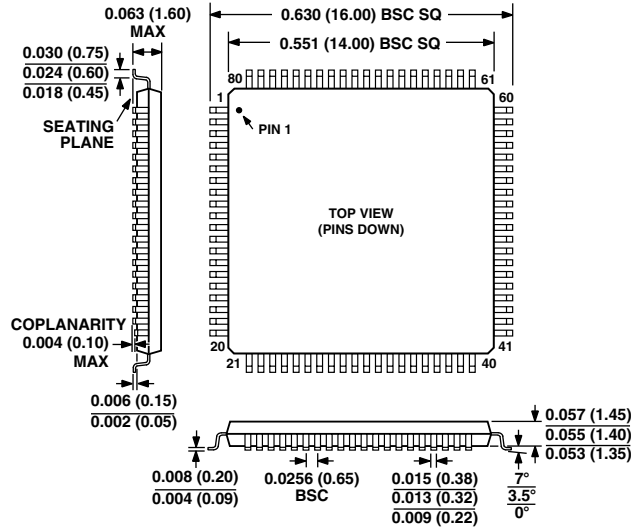
#### **Voltage Reference**

Bypass with a 0.1  $\mu$ F capacitor. Place as close to the AD9883 pin as possible. Make the ground connection as short as possible.

**OUTLINE DIMENSIONS**

Dimensions shown in inches and (mm).

**80-Lead LQFP  
(ST-80)**



CONTROLLING DIMENSIONS IN MILLIMETERS.  
CENTER FIGURES ARE NOMINAL UNLESS OTHERWISE NOTED.